

---

---

**Test methods for repair materials for  
water-leakage cracks in underground  
concrete structures —**

**Part 4:  
Test method for adhesion on wet  
concrete surface**

*Méthodes d'essai pour matériaux de réparation pour fissures dues à  
l'eau dans les structures en béton souterraines —*

*Partie 4: Méthode d'essai de l'adhésion sur un substrat humide*

ISO/TS 16774-4:2023

<https://standards.iteh.ai/catalog/standards/sist/642f67da-af7b-4f13-ab66-7a78cbef3e5f/iso-ts-16774-4-2023>



iTeh STANDARD PREVIEW  
(standards.iteh.ai)

ISO/TS 16774-4:2023

<https://standards.iteh.ai/catalog/standards/sist/642f67da-af7b-4f13-ab66-7a78cbef3e5f/iso-ts-16774-4-2023>



**COPYRIGHT PROTECTED DOCUMENT**

© ISO 2023

All rights reserved. Unless otherwise specified, or required in the context of its implementation, no part of this publication may be reproduced or utilized otherwise in any form or by any means, electronic or mechanical, including photocopying, or posting on the internet or an intranet, without prior written permission. Permission can be requested from either ISO at the address below or ISO's member body in the country of the requester.

ISO copyright office  
CP 401 • Ch. de Blandonnet 8  
CH-1214 Vernier, Geneva  
Phone: +41 22 749 01 11  
Email: [copyright@iso.org](mailto:copyright@iso.org)  
Website: [www.iso.org](http://www.iso.org)

Published in Switzerland

# Contents

	Page
Foreword.....	iv
Introduction.....	v
<b>1 Scope</b> .....	<b>1</b>
<b>2 Normative references</b> .....	<b>1</b>
<b>3 Terms and definitions</b> .....	<b>1</b>
<b>4 Principle</b> .....	<b>1</b>
<b>5 Apparatus</b> .....	<b>2</b>
<b>6 Preparation</b> .....	<b>2</b>
6.1 Test specimen assembly as artificial water-leakage crack.....	2
6.2 Ambient conditions.....	3
<b>7 Procedure</b> .....	<b>3</b>
<b>8 Expression of results</b> .....	<b>3</b>
<b>9 Test report</b> .....	<b>4</b>
9.1 Information on the repair material of the test target.....	4
9.1.1 General.....	4
9.1.2 Other information.....	4
9.2 Information on the test.....	4
<b>Annex A (informative) Example test method</b> .....	<b>5</b>
<b>Bibliography</b> .....	<b>12</b>

ISO/TS 16774-4:2023

<https://standards.iteh.ai/catalog/standards/sist/642f67da-af7b-4f13-ab66-7a78cbef3e5f/iso-ts-16774-4-2023>

## Foreword

ISO (the International Organization for Standardization) is a worldwide federation of national standards bodies (ISO member bodies). The work of preparing International Standards is normally carried out through ISO technical committees. Each member body interested in a subject for which a technical committee has been established has the right to be represented on that committee. International organizations, governmental and non-governmental, in liaison with ISO, also take part in the work. ISO collaborates closely with the International Electrotechnical Commission (IEC) on all matters of electrotechnical standardization.

The procedures used to develop this document and those intended for its further maintenance are described in the ISO/IEC Directives, Part 1. In particular the different approval criteria needed for the different types of ISO documents should be noted. This document was drafted in accordance with the editorial rules of the ISO/IEC Directives, Part 2 (see [www.iso.org/directives](http://www.iso.org/directives)).

Attention is drawn to the possibility that some of the elements of this document may be the subject of patent rights. ISO shall not be held responsible for identifying any or all such patent rights. Details of any patent rights identified during the development of the document will be in the Introduction and/or on the ISO list of patent declarations received (see [www.iso.org/patents](http://www.iso.org/patents)).

Any trade name used in this document is information given for the convenience of users and does not constitute an endorsement.

For an explanation of the voluntary nature of standards, the meaning of ISO specific terms and expressions related to conformity assessment, as well as information about ISO's adherence to the World Trade Organization (WTO) principles in the Technical Barriers to Trade (TBT), see [www.iso.org/iso/foreword.html](http://www.iso.org/iso/foreword.html).

This document was prepared by Technical Committee ISO/TC 71, *Concrete, reinforced concrete and pre-stressed concrete*, Subcommittee SC 7, *Maintenance and repair of concrete structures*.

This second edition cancels and replaces the first edition (ISO/TS 16774-4:2016) which has been technically revised.

The main changes are as follows:

- ambient conditions in [6.2](#) and [A.3.3](#) have been modified;
- some clarifications have been made in [9.2](#);
- some editorial corrections have been made.

A list of all parts in the ISO 16774 series can be found on the ISO website.

Any feedback or questions on this document should be directed to the user's national standards body. A complete listing of these bodies can be found at [www.iso.org/members.html](http://www.iso.org/members.html).

## Introduction

This document is linked to ISO/TR 16475. ISO/TR 16475 outlines six basic properties and the required performance levels of water leakage repair materials, and the ISO/TS 16774 series proposes sample testing methods that are capable of evaluating the respective properties of the repair materials.

The test methods in this document are intended to serve as references for nations that have not yet developed a test method on the six proposed required performance properties of water leakage repair materials. If other forms of test methods that are simpler, more accurate or more organized are available, such methods are recommended for use instead. Many of the dependent variables outlined in the reference test methods of this document are subject to change in accordance with the environmental conditions (temperature and humidity, chemical solution and concentration, width of movement activity, water pressure or water flow velocity, etc.) outlined in the standards used in respective countries.

For ISO/TS 16774-1, ISO/TS 16774-5 and ISO/TS 16774-6, for the purpose of objectively comparing the performance of injected repair materials, artificial cracks of same width, height, and volume were used to control the usage of repair materials for each testing cycle and enable repetition of the same test methods under the same conditions.

## iTeh STANDARD PREVIEW (standards.iteh.ai)

[ISO/TS 16774-4:2023](https://standards.iteh.ai/catalog/standards/sist/642f67da-af7b-4f13-ab66-7a78cbef3e5f/iso-ts-16774-4-2023)

<https://standards.iteh.ai/catalog/standards/sist/642f67da-af7b-4f13-ab66-7a78cbef3e5f/iso-ts-16774-4-2023>



# Test methods for repair materials for water-leakage cracks in underground concrete structures —

## Part 4: Test method for adhesion on wet concrete surface

### 1 Scope

This document specifies a laboratory test method for indirectly measuring the adhesion performance of repair material to wet concrete crack surfaces by qualitatively, as a pass/fail at predetermined time, against predetermined amount of weight exerted on the repair material adhesion.

**NOTE** This document classifies and categorizes materials that are tested into families of similar properties for the purpose of making relative comparisons with the data results.

### 2 Normative references

The following documents are referred to in the text in such a way that some or all of their content constitutes requirements of this document. For dated references, only the edition cited applies. For undated references, the latest edition of the referenced document (including any amendments) applies.

ISO/TR 16475, *General practices for the repair of water-leakage cracks in concrete structures*

### 3 Terms and definitions

For the purposes of this document, the terms and definitions given in ISO/TR 16475 and the following apply.

ISO and IEC maintain terminology databases for use in standardization at the following addresses:

- ISO Online browsing platform: available at <https://www.iso.org/obp>
- IEC Electropedia: available at <https://www.electropedia.org/>

#### 3.1

##### **water leakage repair material**

grouting materials used to prevent water leakages in concrete cracks

Note 1 to entry: In this document, target ingredients are limited to injection materials outlined in ISO/TR 16475.

[SOURCE: ISO/TS 16774-2:2023, 3.1]

### 4 Principle

A repair material's ability to adhere to a wet leakage crack surface is one of the fundamental properties that water leakage repair materials should possess. Focus areas of repair material application are most often on concrete surfaces that are constantly wet and humid. During and after application, repair materials should be able to remain firm adhesion to concrete surface and should not fall off. This test method proposes that observing whether repair materials can retain adhesion on wet concrete surface against a constantly exerted weight can determine a repair material's adhesion performance on wet concrete surface. An example test method is provided in [Annex A](#).

Repair materials are injected in an artificially produced wet crack space formed by two separate concrete (or mortar) specimens, a top part that serves as an anchor, and another that serves as any constant weight that pulls on the material adhesion surface. The concrete specimen is then lifted and held in mid-air by the clamp (anchor) of adhesion tester to see if the material can maintain adhesion past the failure margin time against the weight of the bottom concrete specimen.

## 5 Apparatus

### 5.1 Adhesion tester.

Adhesion tester should have three main parts: frame, clamp and mobile support plate/mechanism.

**5.1.1 Frame**, used for levelling the specimen horizontally that can be set immobile during the progress of the test.

**5.1.2 Clamp**, can anchor the test specimen securely and hold it suspended in mid-air during the test.

**5.1.3 Mobile support plate/mechanism**, used to initially secure the specimen prior to the testing.

Once the testing starts, it shall be removable (left, right, top, down, in any direction) to allow the specimen to stay mid-air.

Any apparatus can be used, but it should allow the bottom concrete specimen that serves as the weight to pull against the material adhesion the wet surface during the testing.

### 5.2 Others.

**5.2.1 Stop watch**, used for testing the duration of adhesion of the material.

**5.2.2 Injector**, testing material injecting apparatus. <https://standards.iteh.ai/catalog/standards/sist/642f67da-af7b-4f13-ab66-7a78cbef3e5f/iso-16774-4-2023>

**5.2.3 Water container.**

## 6 Preparation

### 6.1 Test specimen assembly as artificial water-leakage crack

a) A water-leakage crack test specimen is prepared using two separate concrete or mortar parts (upper and bottom part) placed horizontally parallel to one another. One part (upper) is placed over the other (bottom) with spacers in between, forming the test specimen with an artificial crack.

NOTE The space height between the two concrete parts represents the width of the concrete crack. The height can vary according to different national standards.

b) The crack space along the side is covered with silicon sealants, tape or other applicable materials along the exterior side of the artificial crack space to prevent leakage during injection.

Any supplementary material can be used to hold the two parts together with a crack space in between, but should leave an inlet for material injection.

c) The assembled specimen is placed underwater for a predetermined period (time variable can be subject to change according to the different national standards that are applied to this test method).



- d) After taking the specimen out of the water, the repair material is injected into the space while the surface is still wet.

Injection method varies according to different national standards. If manufacturer's instructions are available, employment of such method is recommended.

## 6.2 Ambient conditions

Keep the test room at temperature  $(22 \pm 2)$  °C and humidity at  $(55 \pm 5)$  % during the experiment unless specifically required otherwise. Standard drying conditions of a drying shrinkage state conditions should be as outlined in ISO 1920-8.

NOTE Temperature values are subject to change according to different national standards. Examples include warmer countries with ranges that can reach up to  $(27 \pm 2)$  °C and colder countries at  $(16 \pm 3)$  °C, etc. The same applies to humidity conditions.

## 7 Procedure

- a) Place the test specimen on the support plate located at the adhesion tester.

Raise the support plate up to the clamp located at the top of the adhesion tester and fix the upper concrete part on to the clamp (refer to the procedure note).

- b) To begin testing, remove the support plate, letting the whole specimen suspend in mid-air and letting the weight of the bottom concrete part pull on the repair material adhesion on concrete surfaces.

NOTE One of the two concrete parts adhered together by the injected repair material is fixed onto the clamp of adhesion tester and the other concrete part alone acts as the weight to pull on the adhesion of the repair material.

- c) Observe the specimen to see if it maintains adhesion for a given period of time to pass the test method (adhesion maintenance time is subject to change according to different national standards) and record the adhesion time.

- d) If the material fails adhesion and falls off, end the test and record the results (the time at which material adhesion fails).

Photos of the specimen and equipment conditions shall be taken at every stage possible during each and every test procedure for recording and information purposes. For detailed and clearer explanation, refer to [Annex A](#).

## 8 Expression of results

In this test method, repair materials are evaluated for their performance on wet concrete surface adhesion. The weight of the bottom concrete part of the specimen will exert a natural pulling force on the repair material adhesion. For all repair materials, the results of this test on whether the adhesion holds for the given period against the predetermined mass can be used to evaluate the repair material performance on wet surface adhesion. These results can be used as a data base for an evaluation guideline in future cases of selecting appropriate repair materials with the required properties of adhesion on leakage crack surfaces of underground concrete structures.

## 9 Test report

### 9.1 Information on the repair material of the test target

#### 9.1.1 General

The test report should record the following information on repair material of the test target:

- a) manufactured date, time, place of the repair material;
- b) manufacturer (name, address, phone number);
- c) type, storage method and authentication of the repair material;
- d) guideline and manual on how to use and apply the repair material;
- e) data on chemical composition of repair material as indicated in the manufacturer's data sheet.

#### 9.1.2 Other information

The following information is recorded on demand if required:

- a) objective of the testing and related;
- b) applicable areas in construction sites using the test specimen;
- c) result of eco-toxicological performance tests to account for the release of hazardous substance and the subsequent effects on health and safety.

### 9.2 Information on the test

The test report shall include the following information:

- a) a declaration from the person technically responsible for the test that the testing was carried out in accordance with this document, i.e. ISO/TS 16774-4:2023, except any deviation from the standard test method;
- b) name, purpose of the test;
- c) ambient conditions of the lab (temperature, humidity, safety conditions, etc.);
- d) production time and place of the specimens;
- e) shape and size of the specimens;
- f) identification of the specimens (lot no., etc);
- g) curing and storage conditions;
- h) information on the test repair material (name, producer, validity etc.);
- i) test data (production, measurement, test period etc.);
- j) type of facilities, equipment, tools;
- k) status of test equipment, tools;
- l) test results;
- m) details on other test programs and procedures.

## Annex A (informative)

### Example test method

#### A.1 Principle

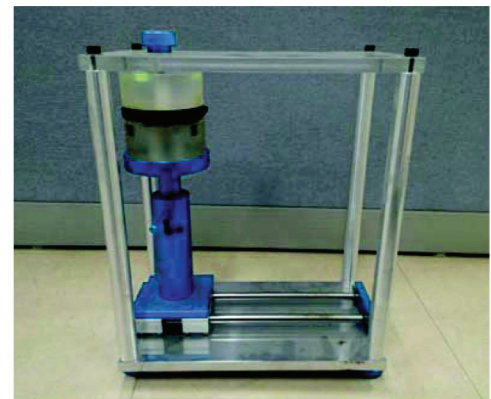
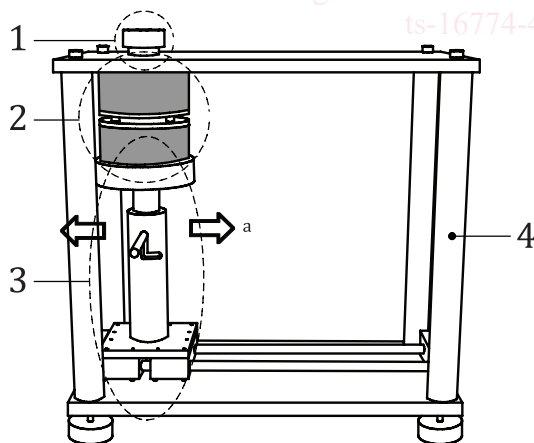
This example test method evaluates the adhesiveness performance of repair material on wet leakage crack surface. The test repair material is injected in the gap between the upper and bottom parts in wet conditions. The 100 mm diameter specimen is then lifted and clamped to be held in mid-air. In this state, bottom part (weight  $550 \text{ g} \pm 50 \text{ g}$ ) will act as the weight that pulls on the repair material adhesion. If the repair material adhesion fails against this predetermined weight of the bottom part, the repair material is considered to have inadequate adhesive properties on wet leakage crack surface.

This test method requires the usage of fabricated and simulated artificial cracks as illustrated with the specimen used in this test method. Using concrete specimens with natural cracks will be difficult to reproduce data and thus make the test method more difficult.

#### A.2 Apparatus

##### A.2.1 Adhesion tester (see [Figure A.1](#)).

The adhesion test apparatus for repair material on the wet substrate (concrete surface) has three main sections: frame, clamp (anchor) and base support mechanism. The height of the tester shall be at least 1 m.



#### Key

- 1 clamp (fixing bolt  $\varnothing 30 \text{ mm}$ )
- 2 test specimen
- 3 base support mechanism
- 4 frame
- a Sideways motion.

Figure A.1 — Diagram of the adhesion tester