

---

---

**Hydraulic fluid power — Mounting  
dimensions for accessories for single  
rod cylinders, 16 MPa (160 bar)  
medium and 25 MPa (250 bar) series**

*Transmissions hydrauliques — Dimensions d'interchangeabilité des  
accessoires pour vérins à simple tige, 16 MPa (160 bar) série moyenne  
et 25 MPa (250 bar)*

iTeh STANDARDS PREVIEW  
(standards.itih.ai)

ISO 8132:2022

<https://standards.itih.ai/catalog/standards/sist/b0c66ab3-40e9-4362-9208-473f8594feb5/iso-8132-2022>



iTeh STANDARD PREVIEW  
(standards.iteh.ai)

ISO 8132:2022

<https://standards.iteh.ai/catalog/standards/sist/b0c66ab3-40e9-4362-9208-473f8594feb5/iso-8132-2022>



**COPYRIGHT PROTECTED DOCUMENT**

© ISO 2022

All rights reserved. Unless otherwise specified, or required in the context of its implementation, no part of this publication may be reproduced or utilized otherwise in any form or by any means, electronic or mechanical, including photocopying, or posting on the internet or an intranet, without prior written permission. Permission can be requested from either ISO at the address below or ISO's member body in the country of the requester.

ISO copyright office  
CP 401 • Ch. de Blandonnet 8  
CH-1214 Vernier, Geneva  
Phone: +41 22 749 01 11  
Email: [copyright@iso.org](mailto:copyright@iso.org)  
Website: [www.iso.org](http://www.iso.org)

Published in Switzerland

# Contents

	Page
Foreword.....	iv
Introduction.....	v
<b>1 Scope.....</b>	<b>1</b>
<b>2 Normative references.....</b>	<b>1</b>
<b>3 Terms and definitions.....</b>	<b>2</b>
<b>4 Mounting dimensions.....</b>	<b>2</b>
<b>5 Tolerances.....</b>	<b>2</b>
<b>6 Application instructions.....</b>	<b>2</b>
6.1 Installation.....	2
6.1.1 Shaft for pivot pin, plain.....	2
6.1.2 Shaft for pivot pin, spherical bearing.....	2
6.1.3 Tilting angle.....	2
6.1.4 Rod clevis.....	2
6.2 Lubrication.....	3
<b>7 Designation.....</b>	<b>3</b>
<b>8 Identification statement (reference to this document).....</b>	<b>3</b>
<b>Bibliography.....</b>	<b>14</b>

iTeh STANDARD PREVIEW  
(standards.iteh.ai)

ISO 8132:2022

<https://standards.iteh.ai/catalog/standards/sist/b0c66ab3-40e9-4362-9208-473f8594feb5/iso-8132-2022>

## Foreword

ISO (the International Organization for Standardization) is a worldwide federation of national standards bodies (ISO member bodies). The work of preparing International Standards is normally carried out through ISO technical committees. Each member body interested in a subject for which a technical committee has been established has the right to be represented on that committee. International organizations, governmental and non-governmental, in liaison with ISO, also take part in the work. ISO collaborates closely with the International Electrotechnical Commission (IEC) on all matters of electrotechnical standardization.

The procedures used to develop this document and those intended for its further maintenance are described in the ISO/IEC Directives, Part 1. In particular, the different approval criteria needed for the different types of ISO documents should be noted. This document was drafted in accordance with the editorial rules of the ISO/IEC Directives, Part 2 (see [www.iso.org/directives](http://www.iso.org/directives)).

Attention is drawn to the possibility that some of the elements of this document may be the subject of patent rights. ISO shall not be held responsible for identifying any or all such patent rights. Details of any patent rights identified during the development of the document will be in the Introduction and/or on the ISO list of patent declarations received (see [www.iso.org/patents](http://www.iso.org/patents)).

Any trade name used in this document is information given for the convenience of users and does not constitute an endorsement.

For an explanation of the voluntary nature of standards, the meaning of ISO specific terms and expressions related to conformity assessment, as well as information about ISO's adherence to the World Trade Organization (WTO) principles in the Technical Barriers to Trade (TBT), see [www.iso.org/iso/foreword.html](http://www.iso.org/iso/foreword.html).

This document was prepared by Technical Committee ISO/TC 131, *Fluid power systems*, Subcommittee SC 3, *Cylinders*.

This fourth edition cancels and replaces the third edition (ISO 8132:2014), which has been technically revised.

The main changes are as follows:

- The reference to ISO 3322 (withdrawn) has been replaced by ISO 2944 (Scope);
- [Figure 6](#) is for snap ring type (corrections have been made in the titles of [Figure 6](#) and [Table 6](#));
- [Figure 7](#) is for split pin type only (corrections have been made in the titles Title of [Figure 7](#) and [Table 7](#) and in [Clause 7](#) and Example 6);
- Keynotes <sup>a</sup> and <sup>b</sup> concerning tolerances in [Tables 6](#) and [7](#) have been modified.

Any feedback or questions on this document should be directed to the user's national standards body. A complete listing of these bodies can be found at [www.iso.org/members.html](http://www.iso.org/members.html).

## Introduction

In hydraulic fluid power systems, power is transmitted and controlled through a liquid under pressure within an enclosed circuit.

One component of such systems is the fluid power cylinder. This is a device that converts power into linear mechanical force and motion. It consists of a movable element, i.e. a piston and piston rod, operating within a cylindrical bore.

iTeh STANDARD PREVIEW  
(standards.iteh.ai)

[ISO 8132:2022](https://standards.iteh.ai/catalog/standards/sist/b0c66ab3-40e9-4362-9208-473f8594feb5/iso-8132-2022)

<https://standards.iteh.ai/catalog/standards/sist/b0c66ab3-40e9-4362-9208-473f8594feb5/iso-8132-2022>



# Hydraulic fluid power — Mounting dimensions for accessories for single rod cylinders, 16 MPa (160 bar) medium and 25 MPa (250 bar) series

## 1 Scope

This document specifies the mounting dimensions required for the interchangeability of accessories for 16 MPa (160 bar) medium series cylinders in accordance with ISO 6020-1 and for 25 MPa (250 bar) series cylinders in accordance with ISO 6022. The accessories have been designed specifically for use with cylinders manufactured in accordance with ISO 6020-1 and ISO 6022, but this does not limit their application<sup>1)</sup>.

This document covers the following accessories, identified in accordance with ISO 6099:

- AP2 — rod clevis, female thread (see [Figure 1](#) and [Table 1](#));
- AF3 — rod flange, circular (see [Figure 2](#) and [Table 2](#));
- AB4 — clevis bracket, straight (see [Figure 3](#) and [Table 3](#));
- AB3 — clevis bracket, in angle (see [Figure 4](#) and [Table 4](#));
- AT4 — trunnion bracket (see [Figure 5](#) and [Table 5](#));
- AA4-R — pivot pin, plain bearing (snap ring type) (see [Figure 6](#) and [Table 6](#));
- AA4-S — pivot pin, plain bearing (split pin type) (see [Figure 7](#) and [Table 7](#));
- AA6-R — pivot pin, spherical bearing (snap ring type) (see [Figure 6](#) and [Table 6](#));
- AA6-S — pivot pin, spherical bearing (split pin type) (see [Figure 7](#) and [Table 7](#));
- AP6 — rod eye spherical, female thread (see [Figure 8](#) and [Table 8](#));
- AP4 — rod eye plain, female thread (see [Figure 9](#) and [Table 9](#)).

These accessories are used on hydraulic cylinders for mechanically transmitting the cylinder force. The design of these accessories is based on the maximum forces resulting from the specified internal diameters of the cylinders and pressures according to ISO 3320 and ISO 2944.

This document applies only to the dimensional criteria of products manufactured in conformity with this document; it does not apply to their functional characteristics.

## 2 Normative references

The following documents are referred to in the text in such a way that some or all of their content constitutes requirements of this document. For dated references, only the edition cited applies. For undated references, the latest edition of the referenced document (including any amendments) applies.

ISO 286-2, *Geometrical product specifications (GPS) — ISO code system for tolerances on linear sizes — Part 2: Tables of standard tolerance classes and limit deviations for holes and shafts*

ISO 2768-1, *General tolerances — Part 1: Tolerances for linear and angular dimensions without individual tolerance indications*

1) 1 bar = 0,1 MPa = 10<sup>5</sup> Pa; 1 MPa = 1 N/mm<sup>2</sup>.

ISO 5598, *Fluid power systems and components — Vocabulary*

ISO 6099, *Fluid power systems and components — Cylinders — Identification code for mounting dimensions and mounting types*

### 3 Terms and definitions

For the purposes of this document, the terms and definitions given in ISO 5598 apply.

ISO and IEC maintain terminological databases for use in standardization at the following addresses:

- ISO Online browsing platform: available at <https://www.iso.org/obp>
- IEC Electropedia: available at <https://www.electropedia.org/>

### 4 Mounting dimensions

The mounting dimensions for accessories are shown in [Figures 1 to 9](#) and are given in [Tables 1 to 9](#).

### 5 Tolerances

5.1 Tolerance values are given in [Figures 1 to 9](#).

5.2 Tolerances for other linear and angular dimensions shall be in accordance with the designation as described in ISO 2768-1.

### 6 Application instructions

#### 6.1 Installation

##### 6.1.1 Shaft for pivot pin, plain

A tolerance of f8 shall be used for plain bearing shafts in accordance with ISO 286-2.

##### 6.1.2 Shaft for pivot pin, spherical bearing

A tolerance of m6 should be used for the shaft fitting the spherical plain bearing bore (see ISO 286-2). In exceptional cases (for example where there are difficulties in cylinder installation), a tolerance of f7 may be used. In this instance, a case-hardened shaft is recommended because movement occurs between the shaft and the bearing bore and lubrication is needed. Lubrication may be carried out through the shaft.

##### 6.1.3 Tilting angle

The specified tilting angle of  $\pm 4^\circ$  can still be obtained when the clevis inner faces about the side faces of the inner ring of the spherical plain bearing.

##### 6.1.4 Rod clevis

The rod clevis, female thread (AP2), shall be screwed firmly against the piston rod shoulder before the two pieces are locked.



## 6.2 Lubrication

- 6.2.1** Sufficient lubrication for the satisfactory performance of these accessories shall be provided.
- 6.2.2** The method and frequency of such lubrication depend on the particular operating conditions.
- 6.2.3** For maintenance-free mating parts, no additional lubrication is required.

## 7 Designation

Accessories conforming to this document shall be designated by the mounting type identification, in accordance with ISO 6099, followed by “ISO 8132”, followed by a dash, followed by the type (size) from the relevant table.

EXAMPLE 1 A rod clevis, female thread of type 20 ( $CK = 20$ ) conforming to ISO 8132 is designated by:

**AP2 ISO 8132 - 20**

EXAMPLE 2 A rod flange, circular of type 20 ( $KK = M16 \times 1,5$ ) conforming to ISO 8132 is designated by:

**AF3 ISO 8132 - 20**

EXAMPLE 3 A clevis bracket, straight of type 20 ( $CK = 20$ ), conforming to ISO 8132 is designated by:

**AB4 ISO 8132 - 20**

EXAMPLE 4 A clevis bracket, in angle of type 20 ( $CK = 20$ ), conforming to ISO 8132 is designated by:

**AB3 ISO 8132 - 20**

EXAMPLE 5 A trunnion bracket of type 20 ( $CR = 20$ ), conforming to ISO 8132 is designated by:

**AT4 ISO 8132 - 20**

EXAMPLE 6 A pivot pin, plain bearing (split pin type) of type 25 ( $EK = 25$ ), conforming to ISO 8132 is designated by:

**AA4-S ISO 8132 - 25**

EXAMPLE 7 A rod eye spherical, female thread of type 20 ( $CN = 20$ ), conforming to ISO 8132 is designated by:

**AP6 ISO 8132 - 20**

EXAMPLE 8 A rod eye plain, female thread of type 20 ( $CK = 20$ ), conforming to ISO 8132 is designated by:

**AP4 ISO 8132 - 20**

## 8 Identification statement (reference to this document)

Use the following statement in test reports, catalogues, and sales literature when electing to comply with this document:

“Cylinder accessory mounting dimensions conform to ISO 8132, *Hydraulic fluid power — Mounting dimensions for accessories for single rod cylinders, 16 MPa (160 bar) medium and 25 MPa (250 bar) series.*”

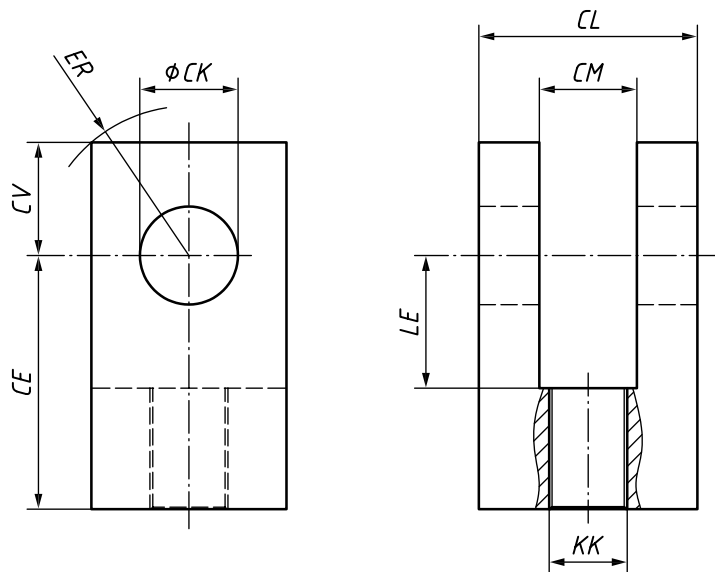


Figure 1 — AP2 — Rod clevis, female thread

Table 1 — Dimensions of AP2 — Rod clevis, female thread

Dimensions in millimetres

Type	Nominal force N	CK H9	CL h16	CM A13	CE js13	CV max.	KK 6H	LE min.	ER max.
12	8 000	12	28	12	38	16	M12 × 1,25	18	16
16	12 500	16	36	16	44	20	M14 × 1,5	22	20
20	20 000	20	45	20	52	25	M16 × 1,5	27	25
25	32 000	25	56	25	65	32	M20 × 1,5	34	32
32	50 000	32	70	32	80	40	M27 × 2	41	40
40	80 000	40	90	40	97	50	M33 × 2	51	50
50	125 000	50	110	50	120	63	M42 × 2	63	63
63	200 000	63	140	63	140	71	M48 × 2	75	71
70	250 000	70	150	70	160	80	M56 × 2	84	80
80	320 000	80	170	80	180	90	M64 × 3	94	90
90	400 000	90	190	90	195	100	M72 × 3	109	100
100	500 000	100	210	100	210	110	M80 × 3	114	110

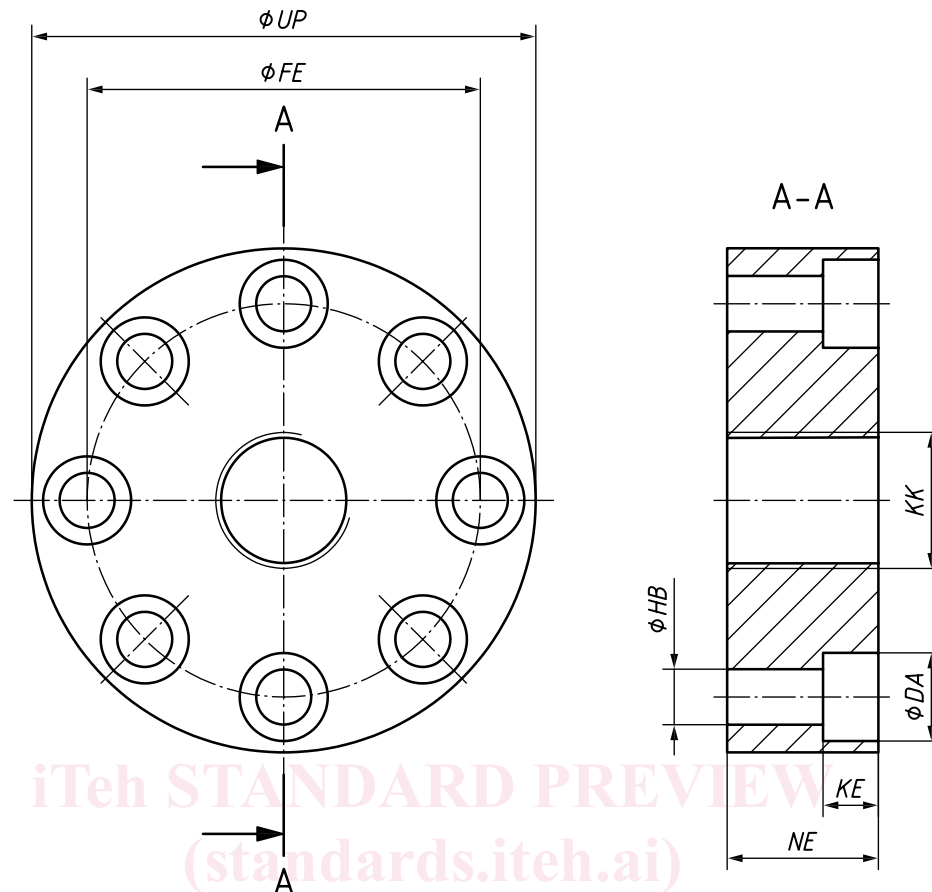


Figure 2 — AF3 — Rod flange, circular

<https://standards.iteh.ai/catalog/standards/sist/b0c66ab3-40e9-4362-9208-473f8594feb5/iso-8132-2022>

Table 2 — Dimensions of AF3 — Rod flange, circular

Dimensions in millimetres

Type	Nominal force N	KK 6H	FE JS13	Number of holes	HB H13	NE JS13	UP max.	DA H13	KE +0,4 0
12	8 000	M12 × 1,25	40	4	6,6	17	56	11	6,8
16	12 500	M14 × 1,5	45	4	9	19	63	14,5	9
20	20 000	M16 × 1,5	54	6	9	23	72	14,5	9
25	32 000	M20 × 1,5	63	6	9	29	82	14,5	9
32	50 000	M27 × 2	78	6	11	37	100	17,5	11
40	80 000	M33 × 2	95	8	13,5	46	120	20	13
50	125 000	M42 × 2	120	8	17,5	57	150	26	17,5
63	200 000	M48 × 2	150	8	22	64	190	33	21,5
70	250 000	M56 × 2	165	8	24	77	212	36	23,5
80	320 000	M64 × 3	180	8	26	86	230	39	25,5
90	400 000	M72 × 3	195	10	29	89	250	43	28,5
100	500 000	M80 × 3	210	10	29	96	270	43	28,5