



FINAL DRAFT International Standard

ISO/FDIS 6397

Aerospace — Test bolts, hexagonal head, metallic material, coated or uncoated

Aéronautique et espace — Vis d'essai, tête hexagonale, filetages MJ, matériau métallique, revêtues ou non revêtues

ISO/TC 20/SC 4

Secretariat: DIN

Voting begins on:
2024-02-16

Voting terminates on:
2024-04-12

Standards
(<https://standards.iteh.ai>)
Document Preview

[ISO/FDIS 6397](#)

<https://standards.iteh.ai/catalog/standards/iso/f44cfc2-5ea4-4ecb-b8a7-1300d59af682/iso-fdis-6397>

RECIPIENTS OF THIS DRAFT ARE INVITED TO SUBMIT, WITH THEIR COMMENTS, NOTIFICATION OF ANY RELEVANT PATENT RIGHTS OF WHICH THEY ARE AWARE AND TO PROVIDE SUPPORTING DOCUMENTATION.

IN ADDITION TO THEIR EVALUATION AS BEING ACCEPTABLE FOR INDUSTRIAL, TECHNOLOGICAL, COMMERCIAL AND USER PURPOSES, DRAFT INTERNATIONAL STANDARDS MAY ON OCCASION HAVE TO BE CONSIDERED IN THE LIGHT OF THEIR POTENTIAL TO BECOME STANDARDS TO WHICH REFERENCE MAY BE MADE IN NATIONAL REGULATIONS.

iTeh Standards
(<https://standards.iteh.ai>)
Document Preview

[ISO/FDIS 6397](https://standards.iteh.ai/catalog/standards/iso/f44cfc2-5ea4-4eeb-b8a7-1300d59af682/iso-fdis-6397)

<https://standards.iteh.ai/catalog/standards/iso/f44cfc2-5ea4-4eeb-b8a7-1300d59af682/iso-fdis-6397>



COPYRIGHT PROTECTED DOCUMENT

© ISO 2024

All rights reserved. Unless otherwise specified, or required in the context of its implementation, no part of this publication may be reproduced or utilized otherwise in any form or by any means, electronic or mechanical, including photocopying, or posting on the internet or an intranet, without prior written permission. Permission can be requested from either ISO at the address below or ISO's member body in the country of the requester.

ISO copyright office
CP 401 • Ch. de Blandonnet 8
CH-1214 Vernier, Geneva
Phone: +41 22 749 01 11
Email: copyright@iso.org
Website: www.iso.org

Published in Switzerland

Contents

	Page
Foreword.....	iv
1 Scope.....	1
2 Normative references.....	1
3 Terms and definitions.....	2
4 Configuration and dimensions.....	2
5 Requirements.....	4
6 Designation.....	5
7 Marking.....	5

iTeh Standards
(<https://standards.iteh.ai>)
Document Preview

[ISO/FDIS 6397](https://standards.iteh.ai/catalog/standards/iso/f44cfc2-5ea4-4eeb-b8a7-1300d59af682/iso-fdis-6397)

<https://standards.iteh.ai/catalog/standards/iso/f44cfc2-5ea4-4eeb-b8a7-1300d59af682/iso-fdis-6397>

Foreword

ISO (the International Organization for Standardization) is a worldwide federation of national standards bodies (ISO member bodies). The work of preparing International Standards is normally carried out through ISO technical committees. Each member body interested in a subject for which a technical committee has been established has the right to be represented on that committee. International organizations, governmental and non-governmental, in liaison with ISO, also take part in the work. ISO collaborates closely with the International Electrotechnical Commission (IEC) on all matters of electrotechnical standardization.

The procedures used to develop this document and those intended for its further maintenance are described in the ISO/IEC Directives, Part 1. In particular, the different approval criteria needed for the different types of ISO document should be noted. This document was drafted in accordance with the editorial rules of the ISO/IEC Directives, Part 2 (see www.iso.org/directives).

ISO draws attention to the possibility that the implementation of this document may involve the use of (a) patent(s). ISO takes no position concerning the evidence, validity or applicability of any claimed patent rights in respect thereof. As of the date of publication of this document, ISO had not received notice of (a) patent(s) which may be required to implement this document. However, implementers are cautioned that this may not represent the latest information, which may be obtained from the patent database available at www.iso.org/patents. ISO shall not be held responsible for identifying any or all such patent rights.

Any trade name used in this document is information given for the convenience of users and does not constitute an endorsement.

For an explanation of the voluntary nature of standards, the meaning of ISO specific terms and expressions related to conformity assessment, as well as information about ISO's adherence to the World Trade Organization (WTO) principles in the Technical Barriers to Trade (TBT), see www.iso.org/iso/foreword.html.

This document was prepared by Technical Committee ISO/TC 20, *Aircraft and space vehicles*, Subcommittee SC 4, *Aerospace fastener systems*.

Any feedback or questions on this document should be directed to the user's national standards body. A complete listing of these bodies can be found at www.iso.org/members.html.

ISO/FDIS 6397

<https://standards.iteh.ai/catalog/standards/iso/f44cfc2-5ea4-4eeb-b8a7-1300d59af682/iso-fdis-6397>

Aerospace — Test bolts, hexagonal head, metallic material, coated or uncoated

1 Scope

This document specifies the dimensions of hexagonal head bolts, with MJ threads, metallic, coated or uncoated. It is applicable to test bolts for torque and tension tests.

2 Normative references

The following documents are referred to in the text in such a way that some or all of their content constitutes requirements of this document. For dated references, only the edition cited applies. For undated references, the latest edition of the referenced document (including any amendments) applies.

ISO 2859-1:1999, *Sampling procedures for inspection by attributes — Part 1: Sampling schemes indexed by acceptance quality limit (AQL) for lot-by-lot inspection*

ISO 3353-1, *Aerospace — Lead and runout threads — Part 1: Rolled external threads*

ISO 5855-2, *Aerospace — MJ threads — Part 2: Limit dimensions for bolts and nuts*

ISO 7913, *Aerospace — Bolts and screws, metric — Tolerances of form and position*

ISO 8080, *Aerospace — Anodic treatment of titanium and titanium alloys — Sulfuric acid process*

AMS 2411, *Plating, Silver, for High Temperature Applications*

AMS 2700, *Passivation of Corrosion Resistant Steels*

AMS 4967, *Titanium Alloy, Bars, Wires, Forgings, and Rings, 6,0Al-4,0V, Annealed, Heat Treatable*

AMS 5853, *Steel, Corrosion and Heat Resistant, Bars and Wire 15Cr-25,5Ni-1,2Mo-2,1Ti-0,006B-0,30V, Consumable Electrode Melted 1 800 °F (982 °C) Solution Treated and Work-Strengthened 160 ksi (1 103 MPa) Tensile Strength*

AMS 6322, *Steel Bars, Forgings, and Rings 0,50Cr - 0,55Ni - 0,25Mo (0,38 - 0,43C) (SAE 8740)*

AMS 6325, *Steel Bars and Forgings 0,50Cr - 0,55Ni - 0,25Mo (0,38 - 0,43C) (SAE 8740). Heat Treated, 105 ksi (724 MPa) Tension Strength*

AMS 6327, *Steel Bars, Forgings 0,50Cr - 0,55Ni - 0,25Mo (0,38 - 0,43C) (SAE 8740). Heat Treated, 125 ksi (862 MPa) Tension Strength*

AMS 6382, *Steel Bars, Forgings, and Rings 0,95Cr - 0,20Mo (0,38-0,43C) (SAE 4140) (Annealed)*

AMS 6415, *Steel Bars, Forgings, and Tubing 0,80Cr - 1,8Ni - 0,25Mo (0,38 - 0,43C) (SAE 4340)*

AMS 6484, *Steel Bars, Forgings, and Tubing 0,80Cr - 1,8Ni - 0,25Mo (0,38 - 0,43C) (SAE 4340). Normalized and tempered*

AMS-QQ-P-416, *Plating, cadmium (Electrodeposited)*

ASME B1.3, *Screw Thread Gaging System for Acceptability: Inch and Metric Screw Threads*

EN 2424, *Aerospace series — Marking of aerospace products*

3 Terms and definitions

No terms and definitions are listed in this document.

ISO and IEC maintain terminology databases for use in standardization at the following addresses:

- ISO Online browsing platform: available at <https://www.iso.org/obp>
- IEC Electropedia: available at <https://www.electropedia.org/>

4 Configuration and dimensions

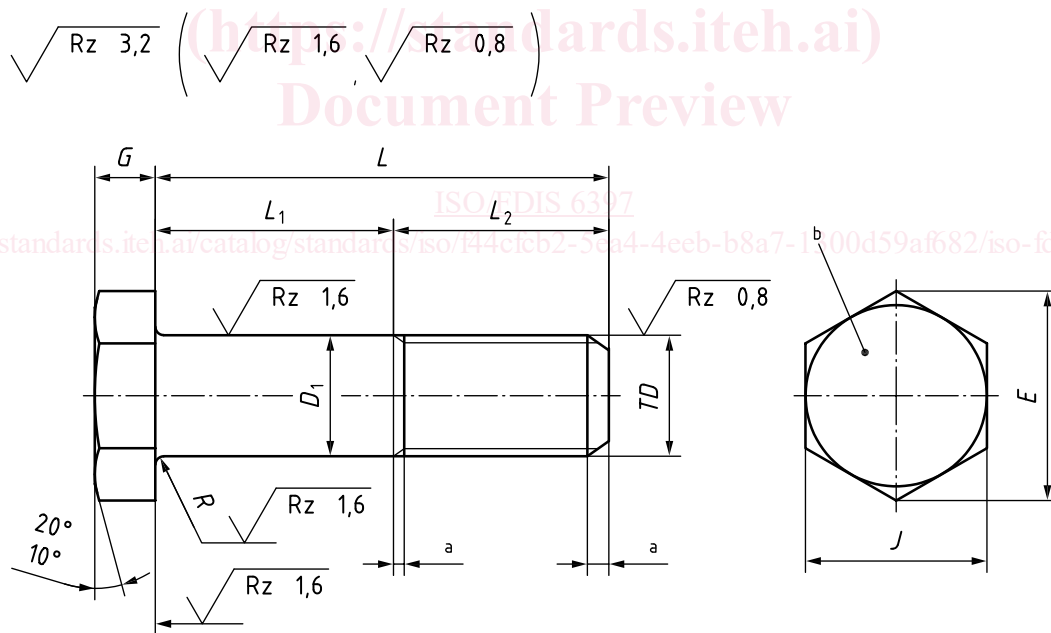
Test bolt configuration and dimensions shall be in accordance with [Figure 1](#) and [Table 1](#).

Dimensions and tolerances are expressed in millimetres. They are applicable after any coating, but before application of any lubricant. Details of form not stated are left to the manufacturer's discretion.

Tolerances of form and position not stated in this document shall be in accordance with ISO 7913.

Surface roughness: Values in micrometres apply prior to surface treatment.

Break sharp edges with a radius between 0,1 mm and 0,4 mm.



a Shall conform to ISO 3353-1.

b Marking.

Figure 1 — Configuration