



SLOVENSKI STANDARD

SIST EN 24032:1996

01-april-1996

Šestrobe matice, tip 1 - Razreda izdelave A in B

Hexagon nuts, style 1 - Product grades A and B (ISO 4032:1986)

Sechskantmuttern, Typ 1 - Produktklassen A und B (ISO 4032:1986)

Ecrous hexagonaux, style 1 - Grades A et B (ISO 4032:1986)

Ta slovenski standard je istoveten z: **EN 24032:1991**

[SIST EN 24032:1996](https://standards.iteh.ai/catalog/standards/sist/4cb689fe-aa18-4fcd-be58-d2fa245fae65/sist-en-24032-1996)

<https://standards.iteh.ai/catalog/standards/sist/4cb689fe-aa18-4fcd-be58-d2fa245fae65/sist-en-24032-1996>

ICS:

21.060.20 Matice Nuts

SIST EN 24032:1996 **en**

iTeh STANDARD PREVIEW
(standards.iteh.ai)

[SIST EN 24032:1996](https://standards.iteh.ai/catalog/standards/sist/4cb689fe-aa18-4fcd-be58-d2fa245fae65/sist-en-24032-1996)

<https://standards.iteh.ai/catalog/standards/sist/4cb689fe-aa18-4fcd-be58-d2fa245fae65/sist-en-24032-1996>

EUROPEAN STANDARD

EN 24032:1991

NORME EUROPEENNE

EUROPAISCHE NORM

6

October 1991

UDC 621.882.31

Descriptors : Fasteners, nuts : fasteners, hexagonal nuts, specifications,
dimensions, designation

English version

Hexagon nuts, style 1 - Product grades A and B
(ISO 4032:1986)

Ecrous hexagonaux, style 1 - Grades A
et B (ISO 4032:1986)

Sechskantmuttern, Typ 1 -
Produktklassen A und B (ISO 4032:1986)

This European Standard was approved by CEN on 1991-10-10 and is identical to the ISO standard as referred to.

CEN members are bound to comply with the CEN/CENELEC Internal Regulations which stipulate the conditions for giving this European Standard the status of a national standard without any alteration.

Up-to-date lists and bibliographical references concerning such national standards may be obtained on application to the Central Secretariat or to any CEN member.

SIST EN 24032:1996

This European Standard exists in three official versions (English, French, German). A version in any other language made by translation under the responsibility of a CEN member into its own language and notified to the Central Secretariat has the same status as the official versions.

CEN members are the national standards bodies of Austria, Belgium, Denmark, Finland, France, Germany, Greece, Iceland, Ireland, Italy, Luxembourg, Netherlands, Norway, Portugal, Spain, Sweden, Switzerland and United Kingdom.

CEN

European Committee for Standardization
Comité Européen de Normalisation
Europäisches Komitee für Normung

Central Secretariat: rue de Stassart 36, B-1050 Brussels

(c) CEN 1991 Copyright reserved to all CEN members

Ref. No. EN 24032:1991 E

FOREWORD

In 1990, ISO 4032:1986 was submitted to the CEN P.Q.-procedure.

Following the positive result of the P.Q., CEN/BT agreed to submit ISO 4032:1986 with the following modifications to Formal Vote.

In the French version, replace :

- "boulon" by "vis partiellement filetée",
- "vis" by "vis entièrement filetée".

In accordance with the Common CEN/CENELEC Rules, the following countries are bound to implement this European Standard :

Austria, Belgium, Denmark, Finland, France, Germany, Greece, Iceland, Ireland, Italy, Luxembourg, Netherlands, Norway, Portugal, Spain, Sweden, Switzerland and United Kingdom.

iTeh STANDARD PREVIEW
(standards.iteh.ai)

Endorsement notice

SIST EN 24032:1996

<https://standards.iteh.ai/catalog/standards/sist/4cb689fc-aa18-4fcd-be58->

[4262456e65/sist-en-24032-1996](https://standards.iteh.ai/catalog/standards/sist/4262456e65/sist-en-24032-1996)

The text of the International Standard ISO 4032:1986 was approved by CEN as a European Standard with agreed common modifications as given above.

International Standard



4034

INTERNATIONAL ORGANIZATION FOR STANDARDIZATION • МЕЖДУНАРОДНАЯ ОРГАНИЗАЦИЯ ПО СТАНДАРТИЗАЦИИ • ORGANISATION INTERNATIONALE DE NORMALISATION

Hexagon nuts — Product grade C

Écrous hexagonaux — Grade C

Second edition — 1986-12-01

iTeh STANDARD PREVIEW
(standards.iteh.ai)

[SIST EN 24032:1996](https://standards.iteh.ai/catalog/standards/sist/4cb689fe-aa18-4fcd-be58-d2fa245fae65/sist-en-24032-1996)

<https://standards.iteh.ai/catalog/standards/sist/4cb689fe-aa18-4fcd-be58-d2fa245fae65/sist-en-24032-1996>

UDC 621.882.31

Ref. No. ISO 4034-1986 (E)

Descriptors : fasteners, nuts (fasteners), hexagonal nuts, specifications, dimensions, designation.

Price based on 3 pages

Foreword

ISO (the International Organization for Standardization) is a worldwide federation of national standards bodies (ISO member bodies). The work of preparing International Standards is normally carried out through ISO technical committees. Each member body interested in a subject for which a technical committee has been established has the right to be represented on that committee. International organizations, governmental and non-governmental, in liaison with ISO, also take part in the work.

Draft International Standards adopted by the technical committees are circulated to the member bodies for approval before their acceptance as International Standards by the ISO Council. They are approved in accordance with ISO procedures requiring at least 75 % approval by the member bodies voting.

International Standard ISO 4034 was prepared by Technical Committee ISO/TC 2, *Fasteners*.

This second edition cancels and replaces the first edition (ISO 4034-1979), of which it constitutes a technical revision.

Users should note that all International Standards undergo revision from time to time and that any reference made herein to any other International Standard implies its latest edition, unless otherwise stated.

Hexagon nuts — Product grade C

0 Introduction

This International Standard is part of the complete ISO product standard series on hexagon drive fasteners. The series comprises:

- a) hexagon head bolts (ISO 4014, ISO 4015, ISO 4016 and ISO 8765);
- b) hexagon head screws (ISO 4017, ISO 4018 and ISO 8676);
- c) hexagon nuts (ISO 4032, ISO 4033, ISO 4034, ISO 4035, ISO 4036, ISO 8673, ISO 8674 and ISO 8675);
- d) hexagon flange bolts (ISO 4162, ISO 8100, ISO 8102 and ISO 8104);
- e) hexagon flange screws;¹⁾
- f) hexagon flange nuts (ISO 4161, ISO 7043 and ISO 7044);
- g) structural bolting (ISO 4775 and ISO 7411 to ISO 7417).

1 Scope and field of application

This International Standard gives specifications for hexagon nuts with thread diameters from M5 to M64 inclusive and product grade C.

If, in special cases, specifications other than those listed in this International Standard are required, they should be selected from existing International Standards, e.g. ISO 261, ISO 898/2, ISO 965, ISO 4759/1.

2 References

ISO 225, *Fasteners — Bolts, screws and nuts — Symbols and designations of dimensions.*

ISO 261, *ISO general purpose metric screw threads — General plan.*

ISO 898/2, *Mechanical properties of fasteners — Part 2: Nuts with specified proof load values.*

ISO 965, *ISO general purpose metric screw threads — Tolerances.*

ISO 3269, *Fasteners — Acceptance inspection.*

ISO 4042, *Threaded components — Electroplated coatings.*²⁾

ISO 4759/1, *Tolerances for fasteners — Part 1: Bolts, screws and nuts with thread diameters > 1,6 and < 150 mm and product grades A, B and C.*

ISO 8839, *Mechanical properties of fasteners — Bolts, screws, studs and nuts made of non-ferrous metals.*

ISO 8992, *Fasteners — General requirements for bolts, screws, studs and nuts.*

1) These will form the subjects of future International Standards.

2) At present at the stage of draft.

ISO 4034-1986 (E)

3 Dimensions

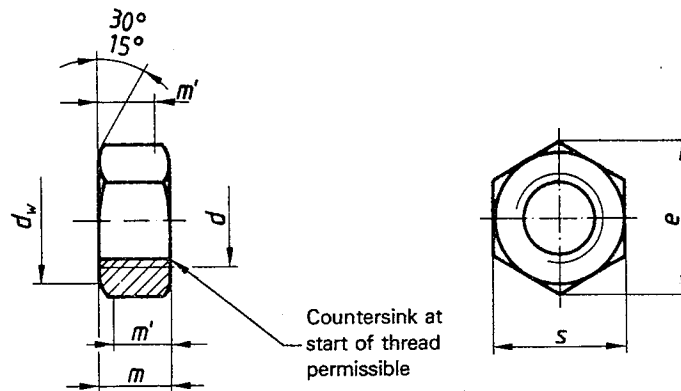


Table 1 – Preferred sizes

Thread size, d		M5	M6	M8	M10	M12	M16	M20
p ¹⁾		0,8	1	1,25	1,5	1,75	2	2,5
d_w	min.	6,7	8,7	11,5	14,5	16,5	22	27,7
e		8,63	10,89	14,20	17,59	19,85	26,17	32,95
m	max.	5,6	6,1	7,9	9,5	12,2	15,9	19
	min.	4,4	4,6	6,4	8	10,4	14,1	16,9
m'	min.	3,5	3,7	5,1	6,4	8,3	11,3	13,5
s	nom. = max.	8	10	13	16	18	24	30
	min.	7,64	9,64	12,57	15,57	17,57	23,16	29,16

Dimensions in millimetres

Thread size, d		M24	M30	M36	M42	M48	M56	M64
p ¹⁾		3	3,5	4	4,5	5	5,5	6
d_w	min.	33,3	42,8	51,1	60	69,5	78,7	88,2
e	min.	39,55	50,85	60,79	72,02	82,6	93,56	104,86
m	max.	22,3	26,4	31,5	34,9	38,9	45,9	52,4
	min.	20,2	24,3	28	32,4	36,4	43,4	49,4
m'	min.	16,2	19,5	22,4	25,9	29,1	34,7	39,5
s	nom. = max.	36	46	55	65	75	85	95
	min.	35	45	53,8	63,1	73,1	82,8	92,8

1) P = pitch of the thread.