



SLOVENSKI STANDARD

SIST EN 24033:1996

01-april-1996

Šestrobe matice, tip 2 - Razreda izdelave A in B

Hexagon nuts, style 2 - Product grades A and B (ISO 4033:1979)

Sechskantmuttern, Typ 2 - Produktklassen A und B (ISO 4033:1979)

Ecrous hexagonaux, style 2 - Classes de produit A et B (ISO 4033:1979)

Ta slovenski standard je istoveten z: **EN 24033:1991**

[SIST EN 24033:1996](https://standards.iteh.ai/catalog/standards/sist/55cef97b-3cc2-42ba-b201-ad1430bbcefa/sist-en-24033-1996)

<https://standards.iteh.ai/catalog/standards/sist/55cef97b-3cc2-42ba-b201-ad1430bbcefa/sist-en-24033-1996>

ICS:

21.060.20 Matice Nuts

SIST EN 24033:1996 **en**

iTeh STANDARD PREVIEW
(standards.iteh.ai)

[SIST EN 24033:1996](#)

<https://standards.iteh.ai/catalog/standards/sist/55cef97b-3cc2-42ba-b201-ad1430bbcefa/sist-en-24033-1996>

EUROPEAN STANDARD

EN 24033:1991

NORME EUROPEENNE

EUROPAISCHE NORM

October 1991

UDC 621.882.31

Descriptors : Fasteners, nuts : fasteners, hexagonal nuts, specifications,
dimensions, designation

English version

Hexagon nuts, style 2 - Product grades A and B (ISO 4033:1979)

Ecrous hexagonaux, style 2 - Classes de Sechskantmuttern, Typ 2 -
produit A et B (ISO 4033:1979) Produktklassen A und B (ISO 4033:1979)

This European Standard was approved by CEN on 1991-10-10 and is identical to the ISO standard as referred to.

CEN members are bound to comply with the CEN/CENELEC Internal Regulations which stipulate the conditions for giving this European Standard the status of a national standard without any alteration.

Up-to-date lists and bibliographical references concerning such national standards may be obtained on application to the Central Secretariat or to any CEN member.

[https://standards.iteh.ai/catalog/standards/sist/55cef97b-3cc2-42ba-b201-](https://standards.iteh.ai/catalog/standards/sist/55cef97b-3cc2-42ba-b201-ad1430bbcefa/sist-en-24033-1996)

This European Standard exists in three official versions (English, French, German). A version in any other language made by translation under the responsibility of a CEN member into its own language and notified to the Central Secretariat has the same status as the official versions.

CEN members are the national standards bodies of Austria, Belgium, Denmark, Finland, France, Germany, Greece, Iceland, Ireland, Italy, Luxembourg, Netherlands, Norway, Portugal, Spain, Sweden, Switzerland and United Kingdom.

CEN

European Committee for Standardization
Comité Européen de Normalisation
Europäisches Komitee für Normung

Central Secretariat: rue de Stassart 36, B-1050 Brussels

(c) CEN 1991 Copyright reserved to all CEN members

Ref. No. EN 24033:1991 É

FOREWORD

In 1990, ISO 4033:1979 was submitted to the CEN P.Q.-procedure.

Following the positive result of the P.Q., CEN/BT agreed to submit ISO 4033:1979 with the following modifications to Formal Vote.

In the French version, replace :

- "boulon" by "vis partiellement filetée",
- "vis" by "vis entièrement filetée",
- "boulon, vis" by "vis",
- "classe de produit" by "grade",
- "classe de caractéristique" by "classe de qualité",

In accordance with the Common CEN/CENELEC Rules, the following countries are bound to implement this European Standard : Austria, Belgium, Denmark, Finland, France, Germany, Greece, Iceland, Ireland, Italy, Luxembourg, Netherlands, Norway, Portugal, Spain, Sweden, Switzerland and United Kingdom

[SIST EN 24033:1996](https://standards.iteh.ai/catalog/standards/sist/55cef97b-3cc2-42ba-b201-ad1430bbcefa/sist-en-24033-1996)

<https://standards.iteh.ai/catalog/standards/sist/55cef97b-3cc2-42ba-b201-ad1430bbcefa/sist-en-24033-1996>

Endorsement notice

The text of the International Standard ISO 4033:1979 was approved by CEN as a European Standard with agreed common modifications as given above.

International Standard



4033

INTERNATIONAL ORGANIZATION FOR STANDARDIZATION • МЕЖДУНАРОДНАЯ ОРГАНИЗАЦИЯ ПО СТАНДАРТИЗАЦИИ • ORGANISATION INTERNATIONALE DE NORMALISATION

Hexagon nuts, style 2 — Product grades A and B

Écrous hexagonaux, style 2 — Classes de produit A et B

First edition — 1979-06-15

iTeh STANDARD PREVIEW
(standards.iteh.ai)

[SIST EN 24033:1996](#)

<https://standards.iteh.ai/catalog/standards/sist/55cef97b-3cc2-42ba-b201-ad1430bbcefa/sist-en-24033-1996>

UDC 621.882.31

Ref. No. 4033-1979 (E)

Descriptors : fasteners, nuts, hexagonal nuts, specifications, dimensions, designation.

Price based on 4 pages

FOREWORD

ISO (the International Organization for Standardization) is a worldwide federation of national standards institutes (ISO member bodies). The work of developing International Standards is carried out through ISO technical committees. Every member body interested in a subject for which a technical committee has been set up has the right to be represented on that committee. International organizations, governmental and non-governmental, in liaison with ISO, also take part in the work.

Draft International Standards adopted by the technical committees are circulated to the member bodies for approval before their acceptance as International Standards by the ISO Council.

International Standard ISO 4033 was developed by Technical Committee ISO/TC 2, *Fasteners*, and was circulated to the member bodies in December 1977.

STANDARD PREVIEW
(standards.iteh.ai)

It has been approved by the member bodies of the following countries :

SIST EN 24033:1996

Australia	https://standards.iteh.ai/catalog/standards/sist/en/24033-1996	Poland
Belgium	India	Romania
Canada	Ireland	South Africa, Rep. of
Chile	Israel	Spain
Czechoslovakia	Korea, Rep. of	Sweden
Denmark	Mexico	Turkey
Egypt, Arab Rep. of	Netherland	United Kingdom
Finland	New Zealand	USA
Germany, F.R.	Norway	Yugoslavia

The member bodies of the following countries expressed disapproval of the document on technical grounds :

France
USSR

Hexagon nuts, style 2 — Product grades A and B

iTeh STANDARD PREVIEW (standards.iteh.ai)

0 INTRODUCTION

This International Standard is part of the complete ISO product standards series on hexagon drive fasteners. The series comprises :

- a) Hexagon head bolts (ISO 4014, ISO 4015 and ISO 4016)
 - b) Hexagon head screws (ISO 4017 and ISO 4018)
 - c) Hexagon nuts (ISO 4032, ISO 4033, ISO 4034, ISO 4035 and ISO 4036)
 - d) Hexagon flanged bolts
 - e) Hexagon flanged screws
 - f) Hexagon flanged nuts
 - g) Structural bolting
- } (in preparation)

1 SCOPE AND FIELD OF APPLICATION

This International Standard gives specifications for hexagon

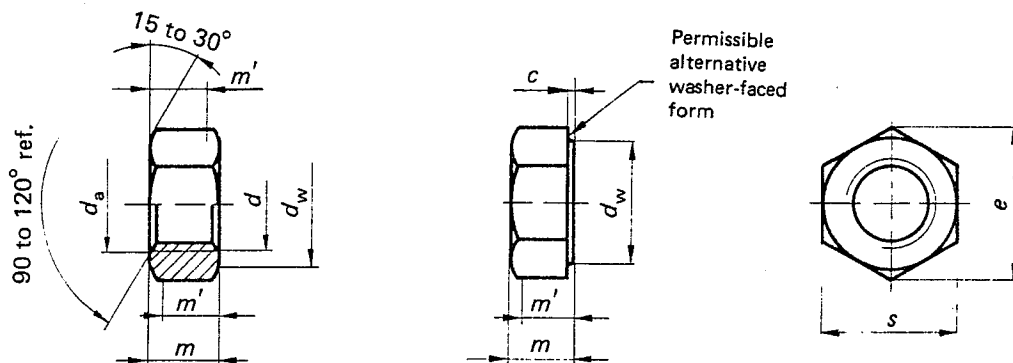
nuts, style 2, with metric dimensions and thread diameters from 5 up to and including 36 mm, with product grade A for sizes \leq M16 and product grade B for sizes $>$ M16.

NOTE — For hexagon nuts style 1, see ISO 4032.

2 REFERENCES

- ISO 261, *ISO general purpose metric screw threads — General plan.*
- ISO 898, *Mechanical properties of fasteners.*
- ISO 965, *ISO general purpose metric screw threads — Tolerances.*
- ISO 4759/1, *Tolerances for fasteners — Part 1 : Bolts, screws and nuts with thread diameters \geq 1,6 \leq 150 mm and product grades A, B and C.*

3 DIMENSIONS



Dimensions in millimetres

Thread size d		M5	M6	M8	M10	M12	(M14)
P	1)	0,8	1	1,25	1,5	1,75	2
c	max.	0,5	0,5	0,6	0,6	0,6	0,6
d_a	min.	5	6	8	10	12	14
	max.	5,75	6,75	8,75	10,8	13	15,1
d_w	min.	6,9	8,9	11,6	14,6	16,6	19,6
e	min.	8,79	11,05	13,96	17,77	20,03	23,35
	max.	5,1	5,7	7,5	9,3	12	14,1
m	min.	4,8	5,4	7,14	8,94	11,57	13,4
	max.	8	10	13	16	18	21
s	min.	7,78	9,78	12,73	15,73	17,73	20,67

Thread size d		M16	M20	M24	M30	M36
P	1)	2	2,5	3	3,5	4
c	max.	0,8	0,8	0,8	0,8	0,8
d_a	min.	16	20	24	30	36
	max.	17,3	21,6	25,9	32,4	38,9
d_w	min.	22,5	27,7	33,2	42,7	51,1
e	min.	26,75	32,95	39,55	50,85	60,79
	max.	16,4	20,3	23,9	28,6	34,7
m	min.	15,7	19	22,6	27,3	33,1
	max.	12,6	15,2	18,1	21,8	26,5
s	min.	24	30	36	46	55
	min.	23,67	29,16	35	45	53,8

1) P = pitch of the thread.

Sizes in brackets should be avoided if possible.

4 SPECIFICATIONS AND REFERENCE STANDARDS

Material		Steel
Thread	Tolerance	6H
	International Standards	ISO 261, ISO 965
Mechanical properties	Classes	9-12
	International Standard	ISO 898/2
Tolerances	Product grade	A for products with $d \leq M 16$ B for products with $d > M 16$
	International Standard	ISO 4759/1
Finish		as processed Requirements for electroplating are covered in ISO ... ¹⁾ , If different electroplating requirements are desired or if requirements are needed for other finishes, they should be negotiated between customer and supplier.
Acceptability		For acceptance procedure see ISO ... ¹⁾ .

1) In preparation.

(standards.iteh.ai)

5 DESIGNATION

SIST EN 24033:1996

<https://standards.iteh.ai/catalog/standards/sist/55cef97b-3cc2-42ba-b201->Example for the designation of a hexagon nut with metric thread $d = M12$ and property class 9 :

Hexagon nut ISO 4033 M12-9