

ISO/TC 45/SC 2

Secretariat: JISC

Voting begins on:
2021-05-03

Voting terminates on:
2021-06-28

Rubber, vulcanized — Determination of static adhesion to textile cord — H-pull test

*Caoutchouc vulcanisé — Détermination de l'adhérence statique au
câblé textile — Essai d'arrachement en H*

iTeh STANDARD PREVIEW
(standards.iteh.ai)

[ISO/FDIS 4647](https://standards.iteh.ai/catalog/standards/sist/1024263e-6b96-4e03-891b-7797138404bb/iso-fdis-4647)

<https://standards.iteh.ai/catalog/standards/sist/1024263e-6b96-4e03-891b-7797138404bb/iso-fdis-4647>

RECIPIENTS OF THIS DRAFT ARE INVITED TO SUBMIT, WITH THEIR COMMENTS, NOTIFICATION OF ANY RELEVANT PATENT RIGHTS OF WHICH THEY ARE AWARE AND TO PROVIDE SUPPORTING DOCUMENTATION.

IN ADDITION TO THEIR EVALUATION AS BEING ACCEPTABLE FOR INDUSTRIAL, TECHNOLOGICAL, COMMERCIAL AND USER PURPOSES, DRAFT INTERNATIONAL STANDARDS MAY ON OCCASION HAVE TO BE CONSIDERED IN THE LIGHT OF THEIR POTENTIAL TO BECOME STANDARDS TO WHICH REFERENCE MAY BE MADE IN NATIONAL REGULATIONS.



Reference number
ISO/FDIS 4647:2021(E)

iTeh STANDARD PREVIEW
(standards.iteh.ai)

ISO/FDIS 4647

<https://standards.iteh.ai/catalog/standards/sist/1024263e-6b96-4e03-891b-7797138404bb/iso-fdis-4647>



COPYRIGHT PROTECTED DOCUMENT

© ISO 2021

All rights reserved. Unless otherwise specified, or required in the context of its implementation, no part of this publication may be reproduced or utilized otherwise in any form or by any means, electronic or mechanical, including photocopying, or posting on the internet or an intranet, without prior written permission. Permission can be requested from either ISO at the address below or ISO's member body in the country of the requester.

ISO copyright office
CP 401 • Ch. de Blandonnet 8
CH-1214 Vernier, Geneva
Phone: +41 22 749 01 11
Email: copyright@iso.org
Website: www.iso.org

Published in Switzerland

Contents

	Page
Foreword.....	iv
1 Scope	1
2 Normative references	1
3 Terms and definitions	1
4 Principle	2
5 Materials	2
6 Apparatus	2
7 Calibration	6
8 Test piece	6
8.1 Dimensions.....	6
8.2 Preparation.....	6
8.3 Number of test pieces.....	9
9 Time interval between vulcanization and testing	9
10 Conditioning of test pieces	9
11 Test temperature	9
12 Procedure	9
12.1 Testing at standard laboratory temperature.....	9
12.2 Testing at elevated temperature.....	10
13 Expression of results	10
14 Test report	10
Annex A (informative) Preparation of silicone-rubber-faced bars	11
Annex B (normative) Calibration schedule	13

Foreword

ISO (the International Organization for Standardization) is a worldwide federation of national standards bodies (ISO member bodies). The work of preparing International Standards is normally carried out through ISO technical committees. Each member body interested in a subject for which a technical committee has been established has the right to be represented on that committee. International organizations, governmental and non-governmental, in liaison with ISO, also take part in the work. ISO collaborates closely with the International Electrotechnical Commission (IEC) on all matters of electrotechnical standardization.

The procedures used to develop this document and those intended for its further maintenance are described in the ISO/IEC Directives, Part 1. In particular, the different approval criteria needed for the different types of ISO documents should be noted. This document was drafted in accordance with the editorial rules of the ISO/IEC Directives, Part 2 (see www.iso.org/directives).

Attention is drawn to the possibility that some of the elements of this document may be the subject of patent rights. ISO shall not be held responsible for identifying any or all such patent rights. Details of any patent rights identified during the development of the document will be in the Introduction and/or on the ISO list of patent declarations received (see www.iso.org/patents).

Any trade name used in this document is information given for the convenience of users and does not constitute an endorsement.

For an explanation of the voluntary nature of standards, the meaning of ISO specific terms and expressions related to conformity assessment, as well as information about ISO's adherence to the World Trade Organization (WTO) principles in the Technical Barriers to Trade (TBT), see www.iso.org/iso/foreword.html.

This document was prepared by Technical Committee ISO/TC 45, *Rubber and rubber products*, Subcommittee SC 2, *Testing and analysis*.

This third edition cancels and replaces the second edition (ISO 4647:2010), of which it constitutes a minor revision. The changes compared to the previous edition are as follows:

- The Normative references have been updated.

Any feedback or questions on this document should be directed to the user's national standards body. A complete listing of these bodies can be found at www.iso.org/members.html.

Rubber, vulcanized — Determination of static adhesion to textile cord — H-pull test

WARNING 1 — Persons using this document should be familiar with normal laboratory practice. This document does not purport to address all of the safety problems, if any, associated with its use. It is the responsibility of the user to establish appropriate safety and health practices and to determine the applicability of any other restrictions.

WARNING 2 — Certain procedures specified in this document might involve the use or generation of substances, or the generation of waste, that could constitute a local environmental hazard. Reference should be made to appropriate documentation on safe handling and disposal after use.

1 Scope

This document specifies a method for the determination of the static adhesion of textile cord to vulcanized rubber using the H-pull test. It is applicable to cords made from natural or man-made fibres.

The property levels obtained with this method are affected considerably by the history of the cord and the rubber compound. The method yields data, however, on which a judgement as to the service quality of the material can be based.

The method is primarily intended for use with tyre cord. However, it can be applied, if desired, to similar cords for use in other rubber products, but it is limited to cords of linear density not exceeding 800 mg/m (tex).

ISO/FDIS 4647

<https://standards.iteh.ai/catalog/standards/sist/1024263e-6b96-4e03-891b-7797138404bb/iso-fdis-4647>

2 Normative references

The following documents are referred to in the text in such a way that some or all of their content constitutes requirements of this document. For dated references, only the edition cited applies. For undated references, the latest edition of the referenced document (including any amendments) applies.

ISO 5893, *Rubber and plastics test equipment — Tensile, flexural and compression types (constant rate of traverse) — Specification*

ISO 18899:2013, *Rubber — Guide to the calibration of test equipment*

ISO 23529, *Rubber — General procedures for preparing and conditioning test pieces for physical test methods*

3 Terms and definitions

No terms and definitions are listed in this document.

ISO and IEC maintain terminological databases for use in standardization at the following addresses:

- ISO Online browsing platform: available at <https://www.iso.org/obp>
- IEC Electropedia: available at <https://www.electropedia.org/>

4 Principle

The adhesion between a rubber and textile cord is assessed by measuring the force required to pull a single cord from a block of vulcanized rubber, the force being applied along the longitudinal axis of the cord and the length of cord embedded in the rubber being fixed (see [Figure 1](#)).

The adhesion measured is essentially a shearing force acting at the cord-to-rubber interface. The two strips of rubber and the interconnecting cord form a test piece resembling the letter “H”, from which the test derives its name.

5 Materials

The materials comprise any combination of rubber compound, textile cord and adhesive agreed upon by both the cord user and the supplier. The vulcanizing conditions, both time and temperature, shall be exactly specified.

Square-woven, approximately 340 g/m² cotton fabric, or its equivalent, shall be used to support the rubber strips. This may be grey fabric or fabric that has been frictioned on one side. Alternatively, the rubber compound may be calendered to the frictioned side of the cotton fabric. The rubber surface which will be in contact with the cords shall be protected by a protective film, for example starch paper or polyethylene.

The thickness of the rubber compound required to fill the mould completely shall be determined by the supplier and the purchaser.

NOTE The decision as to which rubber compound to use is normally made by the cord user.

iTeh STANDARD PREVIEW
(standards.iteh.ai)

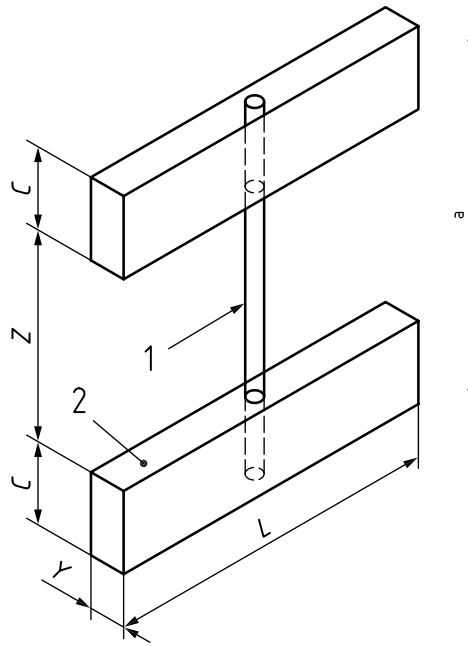
6 Apparatus

[ISO/FDIS 4647](#)

6.1 Mould.

<https://standards.iteh.ai/catalog/standards/sist/1024263e-6b96-4e03-891b-7797138404bb/iso-fdis-4647>

The dimensions of the test pieces are controlled by the specifications and tolerances of the mould. The test pieces are prepared by laying strips of rubber, of thickness $Y/2$ (see [Figure 1](#)), spaced a distance Z apart, into cavities in a mould of width C .

**Key**

- 1 cord
- 2 rubber
- ^a Direction of applied force.

STANDARD PREVIEW
(standards.iteh.ai)

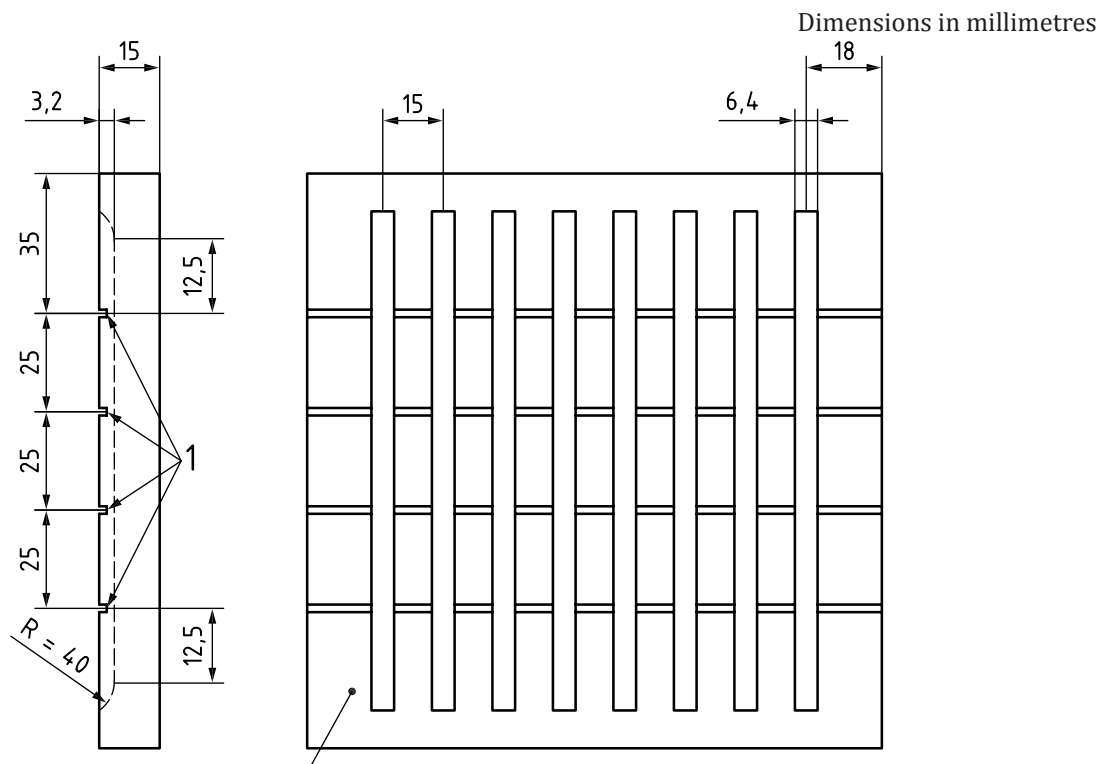
Figure 1 — Test piece

ISO/FDIS 4647

Cords are stretched over and perpendicular to the rubber strips with a distance L between each cord. Two further strips of rubber are applied above the cord, the mould closed and put into a press, and the test pieces vulcanized.

It is common practice to use moulds which allow many identical test pieces to be produced simultaneously as a test pad.

One example of a suitable mould is shown in [Figure 2](#). It is recommended that the width of the cord groove be 0,8 mm for cords of linear density 560 mg/m (tex) or less, and 1,2 mm for cords of linear density more than 560 mg/m (tex) and up to 800 mg/m (tex). Although this form of mould is simple to use, the moulding pressure tends to force excess rubber down the cord groove between the rubber strips, particularly when the cord is much narrower than the groove. This “flash” shall be removed from the cord by careful cutting before the test to improve the reproducibility of the results. The formation of this rubber flash can be almost completely eliminated by using a mould of the form shown in [Figure 3](#), which shows two methods for preparing test pieces. The technique requires the cord length between the rubber strips to be held in position during vulcanization by a deformable surface, rather than a groove, so that there are no voids into which excess rubber can flow.



iTeh STANDARD PREVIEW

Key

1 four slots 0,8 mm or 1,2 mm wide and 3,0 mm deep with all burrs removed

The mould shown will produce 16 test pieces. It may be fabricated to produce a larger or smaller number, but the dimensions that govern the size of the test pieces may not be altered.

^a Material: hot-rolled steel <https://standards.iteh.ai/catalog/standards/sist/1024263e-6b96-4e03-891b-7797138404bb/iso-fdis-4647>

Figure 2 — Suitable mould for H-pull test

Dimensions in millimetres

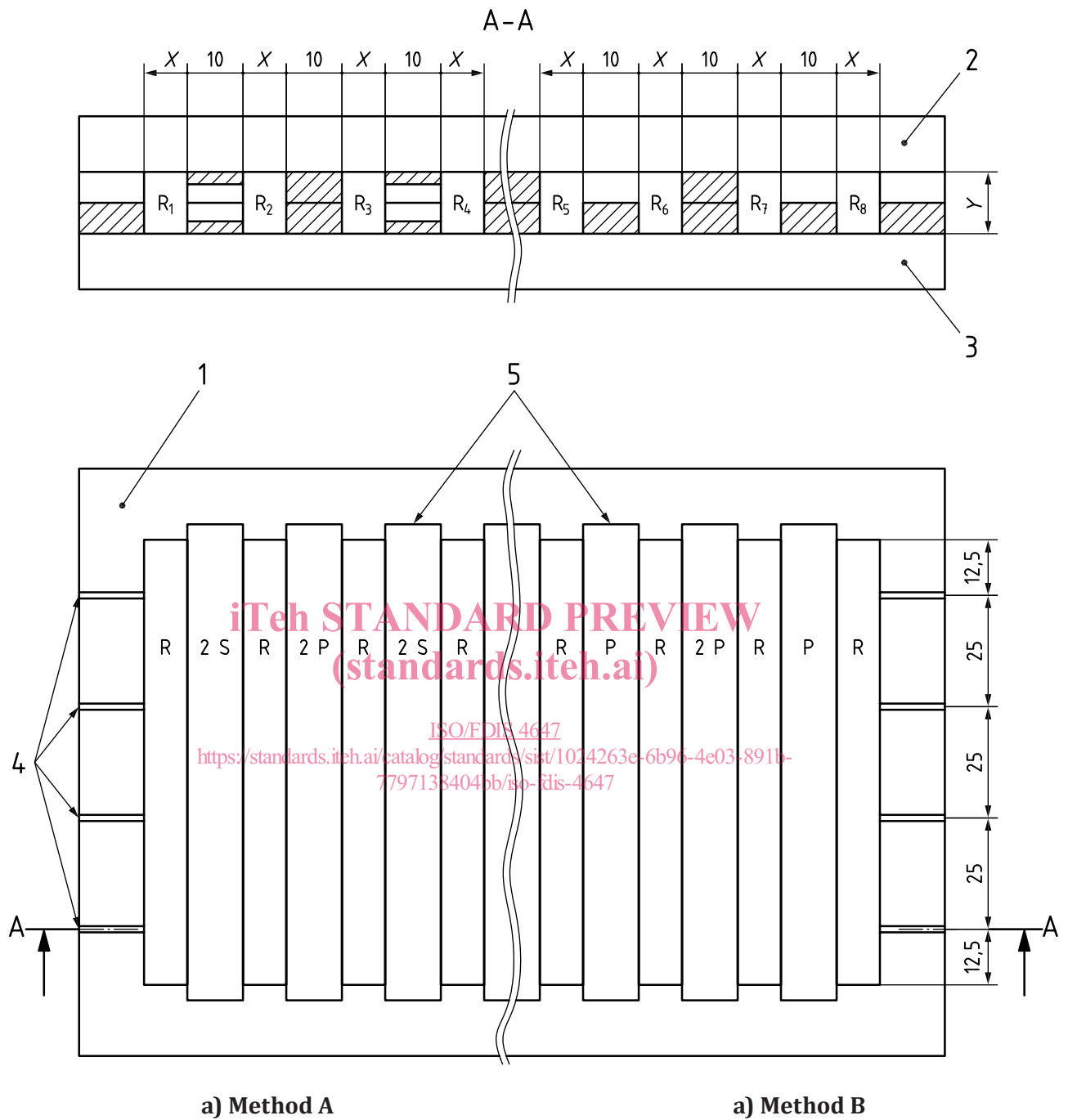


Figure 3 — Methods of preparation of test pieces

In method A, the cord between the rubber strips R_1 and R_2 , and between R_3 and R_4 , is held between specially prepared silicone-rubber-faced bars. A suitable method for the preparation of such bars is described in [Annex A](#).

In method B, the upper strip of rubber is made sufficiently wide to cover the whole distance R_5 to R_6 (and R_7 to R_8), with the addition of a thin cellophane or polyester strip applied to the central portion of the rubber, which contacts the cords, to prevent the adherence of rubber to the cord in this region.

6.2 Tensioning device, capable of providing a tensioning force of $0,49 \text{ N} \pm 0,1 \text{ N}$. This can be achieved, for example, by suspending a mass of $50 \text{ g} \pm 1 \text{ g}$ on one end of each cord during assembly of the test piece and removing it prior to placing the mould in the vulcanizing press. The masses can be of the hook type or designed in such a manner that they can be clamped to the cord. In any event, the total mass shall be $50 \text{ g} \pm 1 \text{ g}$.

6.3 Tensile-testing machine, complying with the requirements of ISO 5893, capable of measuring force with an accuracy corresponding to class 1 and with a rate of traverse of the moving grip of $100 \text{ mm/min} \pm 10 \text{ mm/min}$.

6.4 Test piece grips, of a design as shown in [Figure 4](#) or [Figure 5](#). Two grips are required.

NOTE The two types of grip do not necessarily give the same results.

7 Calibration

The requirements for calibration of the test apparatus are given in [Annex B](#).

iTeh STANDARD PREVIEW
(standards.iteh.ai)

8 Test piece

ISO/FDIS 4647

<https://standards.iteh.ai/catalog/standards/sist/1024263e-6b96-4e03-891b-7797138404bb/iso-fdis-4647>

8.1 Dimensions

The standard test piece shall be a length of cord embedded in rubber strips, nominally 6,4 mm wide and 3,2 mm thick (see [6.1](#)).

Although this method specifies that the rubber strips shall be 3,2 mm thick, an interlaboratory test gave equivalent values for 3,2 mm-thick and 6,4 mm-thick test pieces. The embedded length of cord may be reduced to 5 mm or increased to 10 mm where the adhesion is very high or very low respectively, but the results obtained using different embedded lengths are not comparable.

8.2 Preparation

8.2.1 Cut the rubber compound into strips, 6 mm wide and of a suitable length, leaving the protective film attached. This can be done with scissors or with a clicker die cutter.

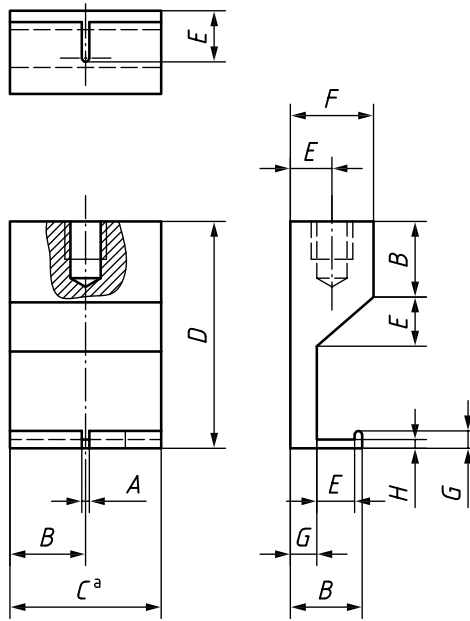
8.2.2 Cut strips of cotton fabric to the same dimensions as those of the rubber compound. (If the rubber compound is calendered onto the fabric, do not carry out this step.)

8.2.3 If necessary, place the bottom spacer bars in the mould ([Figure 3](#) type mould).

8.2.4 Using a mould at room temperature, place the fabric strips in the bottom of the mould cavities (see [8.2.11](#), second paragraph).

8.2.5 Place the rubber strips in the mould cavities with the protective-film side on top. (If the rubber is calendered onto the fabric, the fabric side shall be on the bottom.)

Dimensions in millimetres



Dimension	Value in mm
A	1,6
B	12,5
C ^a	25,0
D	40,0
E	7,0
F	14,0
G	4,0
H	2,0

^a This dimension is the most important one and shall not be altered. All other dimensions are included for guidance and may be altered if desired.

Break all sharp edges and corners with slight radii.

The threaded hole is drilled and tapped to facilitate attaching the grip to the tester.

Figure 4 — Test piece grip