



# SLOVENSKI STANDARD

## SIST ISO 3102:1999

01-junij-1999

---

Jcn] UnUHJb] fUbgdcfh! BY[ bUbU] bXi gLf] g\_U\_c`YgU! '9\_gWbf] bcgh\_c`Yg`bU  
j fh^j Ya `bcg] W

Wheels and castors for non-powered equipment -- Off-set for swivel castors

Roues et roulettes de manutention pour engins de manutention non automoteurs --  
Déport pour roulettes à pivotement libre

iTeh STANDARD PREVIEW  
(standards.iteh.ai)

Ta slovenski standard je istoveten z: <sup>SIST ISO 3102:1999</sup> **ISO 3102:1981**  
<https://standards.iteh.ai/catalog/standards/sist/676da555-e426-4767-b6ab-5179194999ae/sist-iso-3102-1999>

---

**ICS:**

53.060      Industrijski tovornjaki      Industrial trucks

**SIST ISO 3102:1999**

**en**

**iTeh STANDARD PREVIEW**  
**(standards.iteh.ai)**

SIST ISO 3102:1999

<https://standards.iteh.ai/catalog/standards/sist/676da555-e426-4767-b6ab-5179194999ae/sist-iso-3102-1999>

---

# International Standard



# 3102

---

INTERNATIONAL ORGANIZATION FOR STANDARDIZATION • МЕЖДУНАРОДНАЯ ОРГАНИЗАЦИЯ ПО СТАНДАРТИЗАЦИИ • ORGANISATION INTERNATIONALE DE NORMALISATION

---

## Wheels and castors for non-powered equipment — Off-set for swivel castors

*Roues et roulettes de manutention pour engins de manutention non automoteurs — Déport pour roulettes à pivotement libre*

Second edition — 1981-10-15

ITeH STANDARD PREVIEW  
(standards.iteh.ai)

[SIST ISO 3102:1999](https://standards.iteh.ai/catalog/standards/sist/676da555-e426-4767-b6ab-5179194999ae/sist-iso-3102-1999)

<https://standards.iteh.ai/catalog/standards/sist/676da555-e426-4767-b6ab-5179194999ae/sist-iso-3102-1999>

---

UDC 629.111.31.012 : 621.86

Ref. No. ISO 3102-1981 (E)

**Descriptors** : handling equipment, industrial trucks, castors, dimensions, specifications.

## Foreword

ISO (the International Organization for Standardization) is a worldwide federation of national standards institutes (ISO member bodies). The work of developing International Standards is carried out through ISO technical committees. Every member body interested in a subject for which a technical committee has been set up has the right to be represented on that committee. International organizations, governmental and non-governmental, in liaison with ISO, also take part in the work.

Draft International Standards adopted by the technical committees are circulated to the member bodies for approval before their acceptance as International Standards by the ISO Council.

International Standard ISO 3102 was developed by Technical Committee ISO/TC 110, *Industrial trucks*, and was circulated to the member bodies in July 1980.

It has been approved by the member bodies of the following countries :

Australia	Germany, F. R.	Netherlands
Austria	India	Romania
Belgium	Ireland	South Africa, Rep. of
Brazil	Italy	Spain
Czechoslovakia	Korea, Dem. P. Rep. of	Sweden
Finland	Korea, Rep. of	United Kingdom

The member body of the following country expressed disapproval of the document on technical grounds :

USA

This second edition cancels and replaces the first edition (i.e. ISO 3102-1974).

# Wheels and castors for non-powered equipment — Off-set for swivel castors

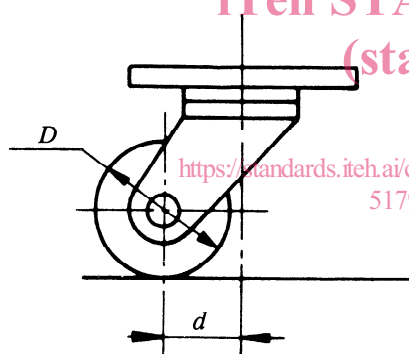
## 1 Scope and field of application

This International Standard specifies the off-set for swivel castors.

It applies to industrial wheels used for non-powered equipment.

It does not cover wheels used for furniture and toys.

## 2 Dimensions



Dimensions in millimetres

Diameter of wheel $D$	Off-set $d$	
	max.	min.
50	30	At least 20 % of diameter $D$
63	40	
80	50	
100	60	
125	70	
150	80	
160	85	
200	100	
250	115	
300	130	
350	140	
400	150	
500	170	

NOTE — For diameters equal to or greater than 125 mm, the maximum off-set of castors fitted with a suspension system may be increased to 60 % of the wheel diameter.