
Vijaki z ugrezno glavo - Oblikovanje in preskušanje ugreznih glav

Countersunk head screws - Head configuration and gauging (ISO 7721:1983)

Senkschrauben - Gestaltung und Prüfung von Senkköpfen (ISO 7721:1983)

Vis a tete fraisée - Configuration de la tete et vérification par calibre (ISO 7721:1983)

Ta slovenski standard je istoveten z: EN 27721:1991

[SIST EN 27721:1996](https://standards.iteh.ai/catalog/standards/sist/8a721b5c-4a76-4616-982d-30d28fb67407/sist-en-27721-1996)

<https://standards.iteh.ai/catalog/standards/sist/8a721b5c-4a76-4616-982d-30d28fb67407/sist-en-27721-1996>

ICS:

21.060.10 Sorniki, vijaki, stebelni vijaki Bolts, screws, studs

SIST EN 27721:1996**en**

iTeh STANDARD PREVIEW
(standards.iteh.ai)

SIST EN 27721:1996

<https://standards.iteh.ai/catalog/standards/sist/8a721b5c-4a76-4616-982d-30d28fb67407/sist-en-27721-1996>

EUROPEAN STANDARD

EN 27721:1991

NORME EUROPEENNE

EUROPAISCHE NORM

October 1991

UDC 621.882.215.091.6:620.1

Descriptors : Fasteners, screws, countersunk head screws, dimensions,
dimensional measurements, standard gauges

English version

Countersunk head screws - Head configuration and
gauging (ISO 7721:1983)

Vis à tête fraisée - Configuration de
la tête et vérification par calibre
(ISO 7721:1983)

Senkschrauben - Gestaltung und Prüfung
von Senkköpfen (ISO 7721:1983)

This European Standard was approved by CEN on 1991-10-10 and is identical to the ISO standard as referred to.

CEN members are bound to comply with the CEN/CENELEC Internal Regulations which stipulate the conditions for giving this European Standard the status of a national standard without any alteration.

Up-to-date lists and bibliographical references concerning such national standards may be obtained on application to the Central Secretariat or to any CEN member.

[SIST EN 27721:1996](https://standards.iteh.ai/catalog/standards/sist/8a721b5c-4a76-4616-982d-30c1b1407611-1)

<https://standards.iteh.ai/catalog/standards/sist/8a721b5c-4a76-4616-982d-30c1b1407611-1>

This European Standard exists in three official versions (English, French, German). A version in any other language made by translation under the responsibility of a CEN member into its own language and notified to the Central Secretariat has the same status as the official versions.

CEN members are the national standards bodies of Austria, Belgium, Denmark, Finland, France, Germany, Greece, Iceland, Ireland, Italy, Luxembourg, Netherlands, Norway, Portugal, Spain, Sweden, Switzerland and United Kingdom.

CEN

European Committee for Standardization
Comité Européen de Normalisation
Europäisches Komitee für Normung

Central Secretariat: rue de Stassart 36, B-1050 Brussels

(c) CEN 1991 Copyright reserved to all CEN members

Ref. No. EN 27721:1991 E

Page 2
EN 27721:1991

FOREWORD

In 1990, ISO 7721:1983 was submitted to the CEN P.Q.-procedure.

Following the positive result of the P.Q., CEN/BT agreed to submit ISO 7721:1983 without modifications to Formal Vote.

In accordance with the Common CEN/CENELEC Rules, the following countries are bound to implement this European Standard :

Austria, Belgium, Denmark, Finland, France, Germany, Greece, Iceland, Ireland, Italy, Luxembourg, Netherlands, Norway, Portugal, Spain, Sweden, Switzerland and United Kingdom.

Endorsement notice

iTeh STANDARD PREVIEW

The text of the International Standard ISO 7721:1983 was approved by CEN as a European Standard without any modifications.

SIST EN 27721:1996

<https://standards.iteh.ai/catalog/standards/sist/8a721b5c-4a76-4616-982d-30d28fb67407/sist-en-27721-1996>

International Standard



7721

INTERNATIONAL ORGANIZATION FOR STANDARDIZATION • МЕЖДУНАРОДНАЯ ОРГАНИЗАЦИЯ ПО СТАНДАРТИЗАЦИИ • ORGANISATION INTERNATIONALE DE NORMALISATION

Countersunk head screws — Head configuration and gauging

Vis à tête fraisée — Configuration de la tête et vérification par calibre

First edition — 1983-09-15

ITeh STANDARD PREVIEW
(standards.iteh.ai)

SIST EN 27721:1996

<https://standards.iteh.ai/catalog/standards/sist/8a721b5c-4a76-4616-982d-30d28fb67407/sist-en-27721-1996>

UDC 621.88.091.6

Ref. No. ISO 7721-1983 (E)

Descriptors : fasteners, screws, countersunk head screws, dimensions.

Foreword

ISO (the International Organization for Standardization) is a worldwide federation of national standards bodies (ISO member bodies). The work of developing International Standards is carried out through ISO technical committees. Every member body interested in a subject for which a technical committee has been authorized has the right to be represented on that committee. International organizations, governmental and non-governmental, in liaison with ISO, also take part in the work.

Draft International Standards adopted by the technical committees are circulated to the member bodies for approval before their acceptance as International Standards by the ISO Council.

iTeh STANDARD PREVIEW

International Standard ISO 7721 was developed by Technical Committee ISO/TC 2, *Fasteners*, and was circulated to the member bodies in December 1981.

It has been approved by the member bodies of the following countries:

Australia	Germany, F.R.	New Zealand
Austria	Hungary	Norway
Belgium	India	Poland
Canada	Ireland	Romania
China	Italy	South Africa, Rep. of
Czechoslovakia	Japan	Spain
Denmark	Korea, Dem. P. Rep. of	Sri Lanka
Egypt, Arab Rep. of	Korea, Rep. of	Sweden
Finland	Mexico	Switzerland
France	Netherlands	USA

The member body of the following country expressed disapproval of the document on technical grounds:

United Kingdom

Countersunk head screws — Head configuration and gauging

1 Scope and field of application

This International Standard specifies the characteristics of head configurations of slotted and recessed countersunk head screws, and recommends a gauging method for the head dimensions laid down in the respective product standards.

2 Head configuration

(standards.iteh.ai)

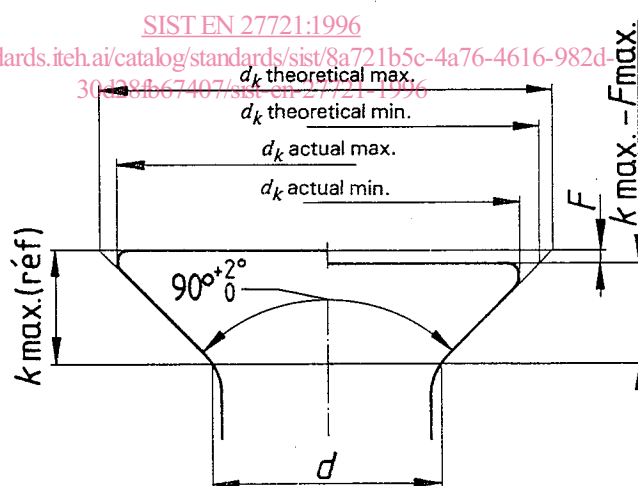


Table 1

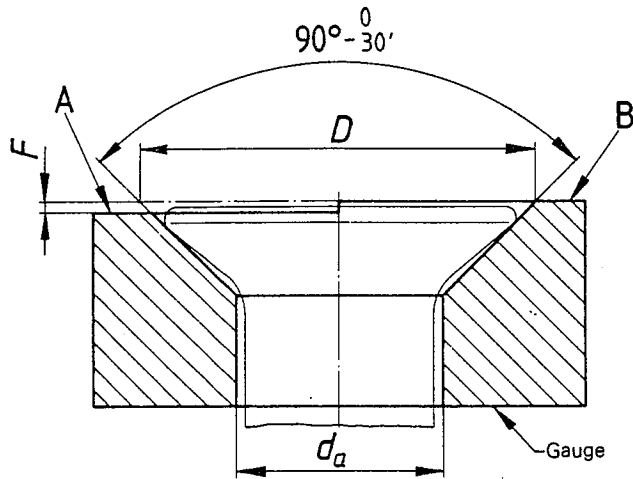
Dimensions in millimetres

Thread size, d	metric	M 1,6	M 2	M 2,5	M 3	M 3,5	M 4	M 5	—	M 6	M 8	M 10	M 12	M 14	M 16	M 18	M 20	
	tapping	—	ST 2,2	—	ST 2,9	ST 3,5	ST 4,2	ST 4,8	ST 5,5	ST 6,3	ST 8	ST 9,5	—	—	—	—	—	
d_k	theoretical	max.	3,6	4,4	5,5	6,3	8,2	9,4	10,4	11,5	12,6	17,3	20	24	28	32	36	40
		min.	3,3	4,1	5,1	5,9	7,7	8,9	9,8	10,9	11,9	16,5	19,2	23,1	27	30,8	34,7	38,5
	actual	max.	3	3,8	4,7	5,5	7,3	8,4	9,3	10,3	11,3	15,8	18,3	22	25,5	29	32,5	36
		min.	2,7	3,5	4,4	5,2	6,9	8	8,9	9,9	10,9	15,4	17,8	21,5	25	28,5	31,9	35,4
F	max.	0,15	0,15	0,2	0,2	0,25	0,25	0,3	0,3	0,35	0,4	0,4	0,45	0,5	0,6	0,65	0,75	
k max. (ref.)	metric	1	1,2	1,5	1,65	2,35	2,7	2,7	—	3,3	4,65	5	6	7	8	9	10	
	tapping	—	1,1	—	1,7	2,35	2,6	2,8	3	3,15	4,65	5,25	—	—	—	—	—	

ISO 7721-1983 (E)

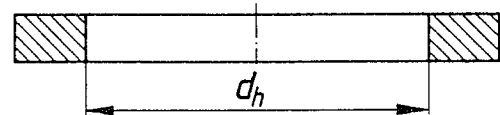
3 Gauging method

Flushness gauge
for the head height



The top surface of the screw head must
lie between gauge surfaces A and B.

Ring gauge
No go gauge for d_k actual min.



iTeh STANDARD PREVIEW (standards.iteh.ai)

Table 2

SIST EN 27721:1996

Dimensions in millimetres

Thread size, d	metric	M 1,6	M 2	M 2,5	M 3	M 3,5	M 4	M 5	—	M 6	M 8	M 10
	tapping	—	ST 2,2	—	ST 2,9	ST 3,5	ST 4,2	ST 4,8	ST 5,5	ST 6,3	ST 8	ST 9,5
D	max.	3,6	4,4	5,5	6,3	8,2	9,4	10,4	11,5	12,6	17,3	20
	min.	3,55	4,35	5,45	6,25	8,15	9,35	10,35	11,45	12,55	17,25	19,95
d_a	max.	1,84	2,36	2,74	3,3	3,9	4,4	5,5	5,68	6,6	8,54	10,62
	min.	1,74	2,26	2,64	3,2	3,8	4,3	5,4	5,58	6,5	8,44	10,52
F	max.	0,15	0,15	0,2	0,2	0,25	0,25	0,3	0,3	0,35	0,4	0,4
	min.	0,14	0,14	0,19	0,19	0,24	0,24	0,29	0,29	0,34	0,39	0,39
d_h	min.	2,68	3,48	4,38	5,18	6,88	7,98	8,88	9,88	10,88	15,38	17,78
	max.	2,7	3,5	4,4	5,2	6,9	8	8,9	9,9	10,9	15,4	17,8

NOTE — Diameters d_a min. are based on fillet radius $r = 0,25 d$ for metric screws and $0,4 d$ for tapping screws.