

**ISO/FDIS 6284:2022(E)**

ISO/TC #10/SC 8/WG #

Secretariat: SIS

Date: ~~2022-12-05~~2023-02-24

**Technical product documentation — Construction documentation  
— Indication of limit deviations**

**FDIS stage**

ISO/FDIS 6284

<https://standards.iteh.ai/catalog/standards/sist/10e28bcc-3805-4524-95c2-566eece9a707/iso-fdis-6284>

**ISO/FDIS 6284:2023(E)**

© ISO ~~2022~~2023

All rights reserved. Unless otherwise specified, or required in the context of its implementation, no part of this publication may be reproduced or utilized otherwise in any form or by any means, electronic or mechanical, including photocopying, or posting on the internet or an intranet, without prior written permission. Permission can be requested from either ISO at the address below or ISO's member body in the country of the requester.

ISO copyright office  
CP 401 • Ch. de Blandonnet 8  
CH-1214 Vernier, Geneva  
Phone: + 41 22 749 01 11  
**E-mail:** [copyright@iso.org](mailto:copyright@iso.org)  
**Website:** [www.iso.org](http://www.iso.org)

Published in Switzerland

iTeh STANDARD PREVIEW  
(standards.iteh.ai)

ISO/FDIS 6284

<https://standards.iteh.ai/catalog/standards/sist/10e28bcc-3805-4524-95c2-566eece9a707/iso-fdis-6284>

**Contents**

Foreword .....	iv
Introduction.....	v
1 Scope .....	1
2 Normative references.....	1
3 Terms and definitions.....	1
4 General .....	2
4.1 Generality.....	2
4.2 Application.....	2
4.3 Designations of deviation types.....	2
5 Indication of limit deviations.....	3
5.1 As dimensions on construction drawings or figures within notes.....	3
5.2 As property items within data templates .....	6
Bibliography .....	12

iTeh STANDARD PREVIEW  
(standards.iteh.ai)

ISO/FDIS 6284

<https://standards.iteh.ai/catalog/standards/sist/10e28bcc-3805-4524-95c2-566eece9a707/iso-fdis-6284>

## ISO/FDIS 6284:2023(E)

### Foreword

ISO (the International Organization for Standardization) is a worldwide federation of national standards bodies (ISO member bodies). The work of preparing International Standards is normally carried out through ISO technical committees. Each member body interested in a subject for which a technical committee has been established has the right to be represented on that committee. International organizations, governmental and non-governmental, in liaison with ISO, also take part in the work. ISO collaborates closely with the International Electrotechnical Commission (IEC) on all matters of electrotechnical standardization.

The procedures used to develop this document and those intended for its further maintenance are described in the ISO/IEC Directives, Part 1. In particular, the different approval criteria needed for the different types of ISO documents should be noted. This document was drafted in accordance with the editorial rules of the ISO/IEC Directives, Part 2 (see [www.iso.org/directives](http://www.iso.org/directives)).

Attention is drawn to the possibility that some of the elements of this document may be the subject of patent rights. ISO shall not be held responsible for identifying any or all such patent rights. Details of any patent rights identified during the development of the document will be in the Introduction and/or on the ISO list of patent declarations received (see [www.iso.org/patents](http://www.iso.org/patents)).

Any trade name used in this document is information given for the convenience of users and does not constitute an endorsement.

For an explanation of the voluntary nature of standards, the meaning of ISO specific terms and expressions related to conformity assessment, as well as information about ISO's adherence to the World Trade Organization (WTO) principles in the Technical Barriers to Trade (TBT), see [www.iso.org/iso/foreword.html](http://www.iso.org/iso/foreword.html).

This document was prepared by Technical Committee ISO/TC 10, *Technical product documentation*, Subcommittee SC 8, *Construction documentation*.

This third edition cancels and replaces the second edition (ISO 6284:1996), which has been technically revised.

The main changes are as follows:

- validation of normative references;
- consideration of multiple categories of deviations;
- definitions of indications of limit deviations using building information modelling (BIM).

Any feedback or questions on this document should be directed to the user's national standards body. A complete listing of these bodies can be found at [www.iso.org/members.html](http://www.iso.org/members.html).

## Introduction

Deviations are a common part of the built environment which are often left to operatives on site to resolve. With the development of prefabrication, there is recognition that control of deviations is an essential requirement to improve the quality of building and infrastructure works. It is important for architectural designers, product manufacturers, and constructors to indicate limit deviations and work to these, where they exist.

The previous edition, ISO 6284:1996, pointed out some basic principles and ways to indicate limit deviations. ~~This standard focussed~~ It focused on graphical presentations, generally drawings, as a method for delivering construction and product information. Technically, limit deviations are about not only geometric information but also the requirements, which shall be delivered objectively by parties to a project.

The digitization of construction requires both graphical and alphanumeric information to be presented in a formal way to achieve both human-readability and machine-readability.

Data templates are a formal representation method adopted widely to describe exchange information or product specifications for machine-readability. ISO 23387, has been developed to support digital processes using formats which are machine-interpretable, based upon standardized data structures, to exchange information about any type of construction object.

This document focuses on how to provide indication methods for limit deviations that are ~~both~~ humanly ~~recognisable~~ recognizable, which is essential given that humans are ultimately the decision-makers, even though more and more tasks are carried out with the assistance of computers. Therefore, this document provides two ways to indicate limit deviations:

- a) ~~a)~~ classical graphical or symbolic representations;
- b) ~~b)~~ natural language property items for data templates.

The illustrations included in this document are intended to illustrate the text and/or to provide examples of the related technical drawing specification. These illustrations are not fully dimensioned and ~~tolerance~~ toleranced, showing only the relevant general principles.

<https://standards.iteh.ai/catalog/standards/sist/10e28bcc-3805-4524-95c2-566eece9a707/iso-fdis-6284>



# Technical product documentation — Construction documentation

## — Indication of limit deviations

### 1 Scope

This document specifies methods for the indication of limit deviations on construction documents.

### 2 Normative references

The following documents are referred to in the text in such a way that some or all of their content constitutes requirements of this document. For dated references, only the edition cited applies. For undated references, the latest edition of the referenced document (including any amendments) applies.

ISO 286-1:2010, Geometrical product specifications (GPS) — ISO code system for tolerances on linear sizes — Part 1: Basis of tolerances, deviations and fits

ISO 6707-1:2020, Buildings and civil engineering works — Vocabulary — Part 1: General terms

ISO 9431, Construction drawings — Spaces for drawing and for text, and title blocks on drawing sheets

### 3 Terms and definitions

For the purposes of this document, the terms and definitions given in ISO 6707-1, and ISO 286-1 and the following apply.

ISO and IEC maintain terminology databases for use in standardization at the following addresses:

- ISO Online browsing platform: available at <https://www.iso.org/obp>
- IEC Electropedia: available at <https://www.electropedia.org/>

#### 3.1 construction document

document which specifies construction information

Note 1 to entry: ~~In this standard a A construction document can be a drawing, or a document used to convey or record construction requirements.~~

Note 2 to entry: See ISO 5127:2017, 3.1.1.38 for more information about the term “document”.

#### 3.2 data template

schema providing a data structure used to describe the properties of objects

[SOURCE: ISO 23387:2020, 3.3, modified — ~~The words “schema providing a” have been added; the word “characteristics” has been replaced with “properties”; the word “construction” has been removed; EXAMPLE 1 and 2, and Note 1 and 2 to entry have been removed.~~ Definition revised, examples and notes to entry removed.]

#### 3.3 limit deviation

upper limit deviation [\[3.4\]](#) or lower limit deviation [\[3.5\]](#) from target size [\[3.6\]](#)~~(3.4)~~.

Note 1 to entry: In this document, “target size” is used for applying deviations to comply with the conventions in the built environment sector, while “nominal size” is commonly used in engineering fields.

Note 2 to entry: See ISO 6707-1:2020, 3.7.2.6 for more information about the term “deviation”.

[SOURCE: ISO 286-1:2010, 3.2.5, modified — ~~The words “nominal” has been replaced with “target”; Note 1 and 2~~ Definition modified and notes to entry added.]

ISO/FDIS 6284:2023(E)

3.4

**upper limit deviation**

upper limit of size minus *target size* (3.6)

Note 1 to entry: Upper limit deviation is a signed value and may be negative, zero or positive.

[SOURCE: ISO 286-1:2010, 3.2.5.1, modified — Symbols and figure removed, definition modified.]

3.5

**lower limit deviation**

lower limit of size minus *target size* (3.6)

Note 1 to entry: Lower limit deviation is a signed value and may be negative, zero or positive.

[SOURCE: ISO 286-1:2010, 3.2.5.2, modified — Symbols removed and definition modified.]

3.6

**target size**

reference size used in design and in practice in order to indicate the size desired and to which the deviations, which would ideally be zero, are to be related

[SOURCE: ISO 6707-1:2020, 3.7.2.12, modified — Note 1 to entry removed.]

4 General

4.1 Generality

4.1.1 A limit deviation shall be indicated on a construction document only when there is a functional requirement to control position, dimension, orientation or form.

4.1.2 Target size shall be the only reference to limit deviation in construction documents.

NOTE The term "deviation" is defined in relation to "nominal size" in ISO 286-1. However, this term is relevant to "desired value", associated with the term "target size" in ISO 6707-1, which specifies vocabularies a vocabulary for the construction industry.

4.2 Application

Indication of limit deviations shall be applied using the following methods:

- a) ~~a)~~ dimensions on construction drawings or figures within notes;
- b) ~~b)~~ property items within data templates.

4.3 Designations of deviation types

An indication of limit deviations should clarify its type requirements with a designation, when applicable. Designations of popular deviation types may follow Table 1 or the conventions of the manufacturing industry.

Table 1 — Designations of popular deviation types

Deviation <del>type</del> <u>type</u>	<del>Designations</del> <u>Designation</u>
Length deviation	LD
Angular deviation	AD
Profile deviation of a line	PL
Straightness deviation of a line	SL
Shape deviation of a surface	SS
Flatness deviation of a surface	FS



Deviation type	Designations
Skewness	SK
Position deviation of a point	PP
Position deviation of a line	PL
Verticality deviation	VD
Horizontality deviation	HD

NOTE Deviation types listed in Table 1 are defined in ISO 6707-1:2020, and the sequence of the items is the same as the one that in ISO 6707-1.

## 5 Indication of limit deviations

### 5.1 As dimensions on construction drawings or figures within notes

5.1.1 A limit deviation shall be indicated numerically and be placed with, or adjacent to, the size concerned in dimensions on construction drawings. A single reference within notes in the space for text in accordance with ISO 9431 may be applied in the case of repetitive deviations.

5.1.2 Limit deviations for size shall be indicated by the target size and the limit deviations. The target size and the values of limit deviations shall be given in millimetres or metres (see Figures 1 and 2).

5.1.3 Limit deviation information which is shown on construction drawings should be given in accordance with the example shown in Figure 1.

- a) For asymmetrical limit deviations, information shall be specified by indicating the upper deviation above the lower deviation, see Figure 1 a).
- b) If one of the two limit deviations is zero, this shall be expressed explicitly by the digit zero without a sign, see Figure 1 b).
- c) If the tolerance is symmetrical in relation to the dimensional value, the limit deviation shall be indicated only once, preceded by the plus-minus sign ( $\pm$ ), see Figure 1 c).

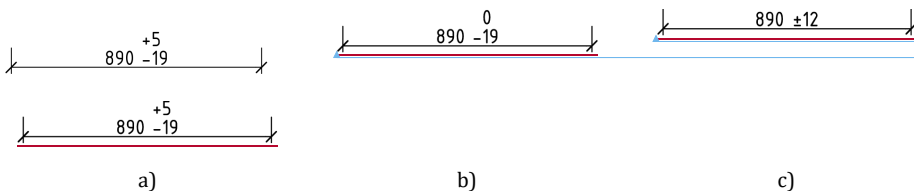


Figure 1 — Examples of indications of limit deviations for size

5.1.4 Limit deviations for a position may be indicated by limit deviations for a dimension which locates one object in relation to another, see Figure 2.

NOTE For example, one reference line to another, a component to a reference line [see Figure 2 a)] or a finished floor level to a datum level [see Figure 2 b)].

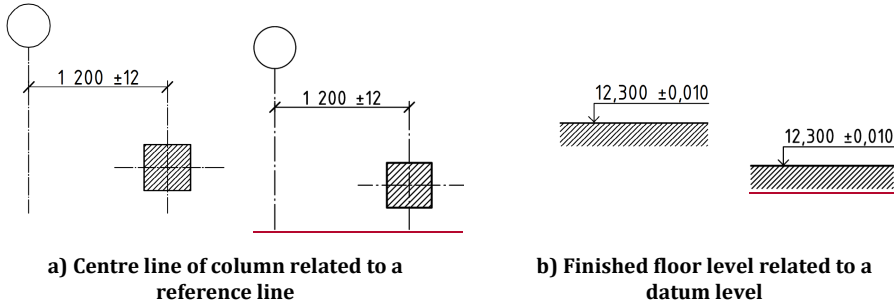


Figure 2 — Examples of limit deviations for position dimensions

5.1.5 Levels relate to site zero datum and are given in metres, with three decimal places.

5.1.6 For angular deviations, the target size and the limit deviations should preferably be given in decimal degrees or using degrees, minutes and seconds, see Figure 3.

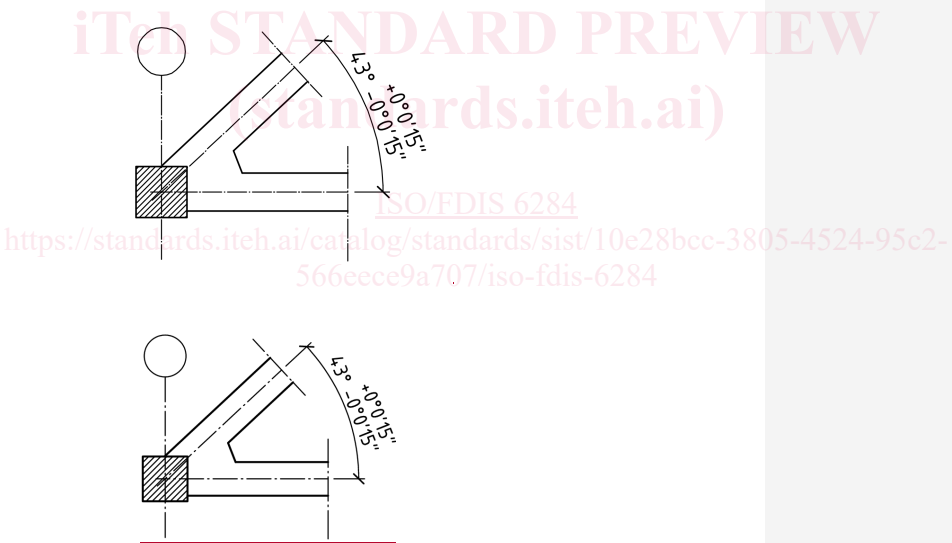


Figure 3 — Examples of angular deviation

5.1.7 For profile deviations of a line, the limit deviations should be given for dimensions to locate points in relation to other points or reference lines. The points may be numbered to enhance information. See Figure 4.