
International Standard



3109

INTERNATIONAL ORGANIZATION FOR STANDARDIZATION • МЕЖДУНАРОДНАЯ ОРГАНИЗАЦИЯ ПО СТАНДАРТИЗАЦИИ • ORGANISATION INTERNATIONALE DE NORMALISATION

Assembly tools for screws and nuts — Hexagon insert bits for hexagon socket head screws

Outils de manœuvre pour vis et écrous — Embouts six pans mâles, à hexagone conducteur mâle

Second edition — 1984-11-01

iteh STANDARD PREVIEW
(standards.iteh.ai)

[ISO 3109:1984](https://standards.iteh.ai/catalog/standards/sist/3012d8d0-8779-4010-832b-5d60ec8c3be4/iso-3109-1984)

<https://standards.iteh.ai/catalog/standards/sist/3012d8d0-8779-4010-832b-5d60ec8c3be4/iso-3109-1984>

UDC 621.883

Ref. No. ISO 3109-1984 (E)

Descriptors : tools, hand tools, assembly tools, tool bits, hexagonal shape, dimensions.

Foreword

ISO (the International Organization for Standardization) is a worldwide federation of national standards bodies (ISO member bodies). The work of preparing International Standards is normally carried out through ISO technical committees. Each member body interested in a subject for which a technical committee has been established has the right to be represented on that committee. International organizations, governmental and non-governmental, in liaison with ISO, also take part in the work.

Draft International Standards adopted by the technical committees are circulated to the member bodies for approval before their acceptance as International Standards by the ISO Council. They are approved in accordance with ISO procedures requiring at least 75 % approval by the member bodies voting.

International Standard ISO 3109 was prepared by Technical Committee ISO/TC 29, *Small tools*. It was first published in 1974. This second edition cancels and replaces the first, the table of which has been altered.

ISO 3109:1984

<https://standards.iteh.ai/catalog/standards/sist/3012d8d0-8779-4010-832b-5d60ec8c3be4/iso-3109-1984>

Assembly tools for screws and nuts — Hexagon insert bits for hexagon socket head screws

iTeh STANDARD PREVIEW
(standards.iteh.ai)

1 Scope and field of application

This International Standard specifies dimensions for hexagon insert bits for hexagon socket head screws in accordance with ISO 1173.

Hexagon insert bits for hexagon socket head screws are registered under numbers 115 and 307 in ISO 1703.

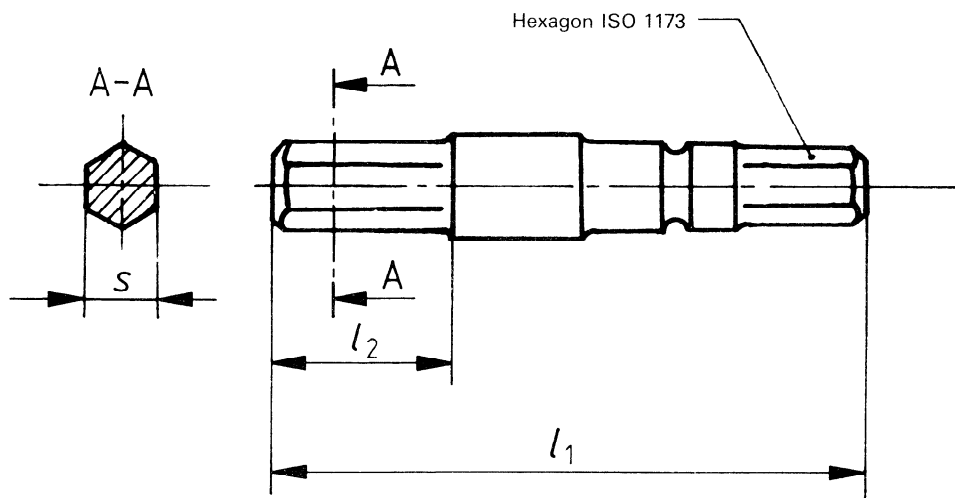
2 References

ISO 1173, *Assembly tools for bolts and screws — Hexagon drive ends for power tools.*

ISO 1703, *Assembly tools for screws and nuts — Nomenclature.*

ISO 2936, *Assembly tools for screws and nuts — Hexagon socket screw keys — Metric series.*

3 Dimensions



Dimensions in millimetres

Hexagon drive		s ²⁾ h10						s h11	
		2,5	3	4	5	6	8	10	12
Male hexagon ISO 1173		e ²⁾ max/min							
		2,82/2,75	3,39/3,31	4,53/4,44	5,67/5,58	6,81/6,71	9,09/8,97	11,37/11,23	13,65/13,44
Form		l ₂ min							
		3,8	4,5	6	7,5	9	12	16	18
Dimension		l ₁ ± 1							
A	3	45	45						
	5,5	50	50	50	50	50			
C	4	20	20						
	6,3	25	25	25	25	25			
	8		30	30	30	30	30	30	
E	6,3	50							
	(8) ¹⁾		50	50	50	50	50	50	
	11,2				55	55	55	55	55

1) The dimension between parentheses should be avoided as far as possible.
 2) The tolerances on s and e agree with those given in ISO 2936.