



SLOVENSKI STANDARD

SIST EN 22340:1996

01-april-1996

Sorniki brez glave

Clevis pins without head (ISO 2340:1986)

Bolzen ohne Kopf (ISO 2340:1986)

Axes d'articulation sans tete (ISO 2340:1986)

Ta slovenski standard je istoveten z: **EN 22340:1992**

[SIST EN 22340:1996](https://standards.iteh.ai/catalog/standards/sist/8d3b4f6-d8a-48ab-ac57-5b39858a2ecd/sist-en-22340-1996)

<https://standards.iteh.ai/catalog/standards/sist/8d3b4f6-d8a-48ab-ac57-5b39858a2ecd/sist-en-22340-1996>

ICS:

21.060.50 Zatiči, žablji Pins, nails

SIST EN 22340:1996

en

iTeh STANDARD PREVIEW
(standards.iteh.ai)

[SIST EN 22340:1996](#)

<https://standards.iteh.ai/catalog/standards/sist/8d3bf4f6-db8a-48ab-ac57-5b39858a2ecd/sist-en-22340-1996>

EUROPEAN STANDARD

EN 22340:1992

NORME EUROPÉENNE

EUROPÄISCHE NORM

July 1992

UDC 621.882.6

Descriptors: Fasteners, hinge pins, dimensions, specifications, designation

English version

Clevis pins without head (ISO 2340:1986)

Axes d'articulation sans tête (ISO 2340:1986)

Bolzen ohne Kopf (ISO 2340:1986)

iTeh STANDARD PREVIEW
(standards.iteh.ai)SIST EN 22340:1996<https://standards.iteh.ai/catalog/standards/sist/8d3bf4f6-db8a-48ab-ae57-5b39858a2ecd/sist-en-22340-1996>

This European Standard was approved by CEN on 1992-07-17. CEN members are bound to comply with the CEN/CENELEC Internal Regulations which stipulate the conditions for giving this European Standard the status of a national standard without any alteration.

Up-to-date lists and bibliographical references concerning such national standards may be obtained on application to the Central Secretariat or to any CEN member.

The European Standards exist in three official versions (English, French, German). A version in any other language made by translation under the responsibility of a CEN member into its own language and notified to the Central Secretariat has the same status as the official versions.

CEN members are the national standards bodies of Austria, Belgium, Denmark, Finland, France, Germany, Greece, Iceland, Ireland, Italy, Luxembourg, Netherlands, Norway, Portugal, Spain, Sweden, Switzerland and United Kingdom.

CEN

European Committee for Standardization
Comité Européen de Normalisation
Europäisches Komitee für Normung

Central Secretariat: rue de Stassart,36 B-1050 Brussels

FOREWORD

1992, CEN Technical Committee CEN/TC 185 "Threaded and non threaded mechanical fasteners and accessories" the secretariat of which is held by DIN decided to submit the International Standard

ISO 2340:1986 - "Clevis pins without head"

to the formal vote procedure.

The result was positive.

In the countries bound to implement this European Standard a national standard identical to this European standard shall be published at the latest by 1993-01-31 and conflicting national standards shall be withdrawn at the latest by 1993-01-31.

iTeh STANDARD PREVIEW

According to the CEN/CENELEC Common Rules the following countries are bound to implement this European Standard : Austria, Belgium, Denmark, Finland, France, Germany, Greece, Iceland, Ireland, Italy, Luxembourg, Netherlands, Norway, Spain, Portugal, Sweden, Switzerland and United Kingdom.

Endorsement notice

The text of the International Standard ISO 2340:1986 was approved by CEN as a European Standard without any modification.

International Standard



2340

INTERNATIONAL ORGANIZATION FOR STANDARDIZATION • МЕЖДУНАРОДНАЯ ОРГАНИЗАЦИЯ ПО СТАНДАРТИЗАЦИИ • ORGANISATION INTERNATIONALE DE NORMALISATION

Clevis pins without head

Axes d'articulation sans tête

Second edition — 1986-11-01

iTeh STANDARD PREVIEW
(standards.iteh.ai)

[SIST EN 22340:1996](#)

<https://standards.iteh.ai/catalog/standards/sist/8d3bf4f6-db8a-48ab-ae57-5b39858a2ecd/sist-en-22340-1996>

Foreword

ISO (the International Organization for Standardization) is a worldwide federation of national standards bodies (ISO member bodies). The work of preparing International Standards is normally carried out through ISO technical committees. Each member body interested in a subject for which a technical committee has been established has the right to be represented on that committee. International organizations, governmental and non-governmental, in liaison with ISO, also take part in the work.

Draft International Standards adopted by the technical committees are circulated to the member bodies for approval before their acceptance as International Standards by the ISO Council. They are approved in accordance with ISO procedures requiring at least 75 % approval by the member bodies voting.

International Standard ISO 2340 was prepared by Technical Committee ISO/TC 2, *Fasteners*.

This second edition cancels and replaces the first edition (ISO 2340:1972), of which it constitutes a technical revision.

Users should note that all International Standards undergo revision from time to time and that any reference made herein to any other International Standard implies its latest edition, unless otherwise stated.

Clevis pins without head

iTeh STANDARD PREVIEW (standards.iteh.ai)

1 Scope and field of application

SIST EN 22340:1996

This International Standard specifies the characteristics of clevis pins without head, with metric dimensions and nominal diameters, d , from 3 to 100 mm inclusive.

<https://standards.iteh.ai/catalog/standards/sist/8d3b21f6-d18a-48ab-ae57-5b39858a2ecd/sist-en-22340-1996>

2 References

ISO 1234, *Split pins — Metric series.*

ISO 2081, *Metallic coatings — Electroplated coatings of zinc on iron or steel.*

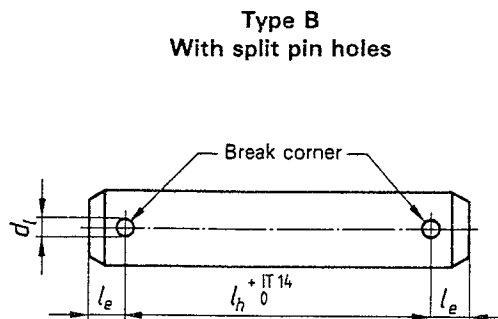
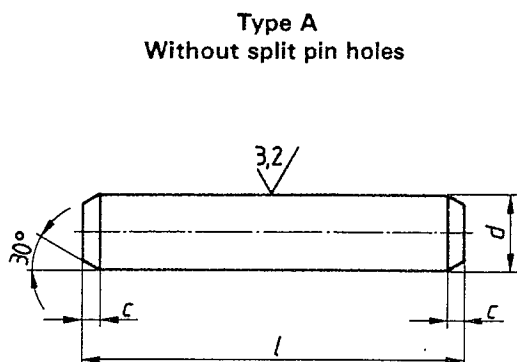
ISO 3269, *Fasteners — Acceptance inspection.*

ISO 4520, *Chromate conversion coatings on electroplated zinc and cadmium coatings.*

ISO 2340-1986 (E)

3 Dimensions

Surface roughness values in micrometres



NOTES

- 1 Other dimensions, angles and surface roughness value, see type A.
- 2 In cases where a distance l_h which is not in accordance with $l - 2l_e$ is necessary, this distance should be fixed in the designation (see clause 5), but in no case may the values for l_e be smaller than those given in the table.

iTeh STANDARD PREVIEW

(standards.iteh.ai)

NOTE — For railway applications and in cases where the split pins are subjected to alternating transverse forces, it is recommended that the next larger split pin and corresponding hole diameter to that specified be used.

[SIST EN 22340:1996](https://standards.iteh.ai/catalog/standards/sist/8d3bf4f6-db8a-48ab-ae57-5b39858a2ecd/sist-en-22340-1996)

<https://standards.iteh.ai/catalog/standards/sist/8d3bf4f6-db8a-48ab-ae57-5b39858a2ecd/sist-en-22340-1996>

Dimensions in millimetres

d	$h_{11}^{1)}$	3	4	5	6	8	10	12	14	16	18	20	22	24	27	30	33	36	40	45	50	55	60	70	80	90	100		
d_1	H13 ²⁾	0,8	1	1,2	1,6	2	3,2	3,2	4	4	5	5	5	6,3	6,3	8	8	8	8	10	10	10	10	13	13	13	13		
c	max.	1	1	2	2	2	2	3	3	3	3	4	4	4	4	4	4	4	4	4	4	4	6	6	6	6	6		
l_e	min.	1,6	2,2	2,9	3,2	3,5	4,5	5,5	6	6	7	8	8	9	9	10	10	10	10	10	12	12	14	14	16	16	16		
	f_3																												
	nom.	min.	max.																										
6	5,75	6,25																											
8	7,75	8,25																											
10	9,75	10,25																											
12	11,5	12,5																											
14	13,5	14,5																											
16	15,5	16,5																											
18	17,5	18,5																											
20	19,5	20,5																											
22	21,5	22,5																											
24	23,5	24,5																											
26	25,5	26,5																											
28	27,5	28,5																											
30	29,5	30,5																											
32	31,5	32,5																											
35	34,5	35,5																											
40	39,5	40,5																											
45	44,5	45,5																											
50	49,5	50,5																											
55	54,25	55,75																											
60	59,25	60,75																											
65	64,25	65,75																											
70	69,25	70,75																											
75	74,25	75,75																											
80	79,25	80,75																											
85	84,25	85,75																											
90	89,25	90,75																											
95	94,25	95,75																											
100	99,25	100,75																											
120	119,25	120,75																											
140	139,25	140,75																											
160	159,25	160,75																											
180	179,25	180,75																											
200	199,25	200,75																											

STANDARD PREVIEW
 (standards.iteh.ai)
 of
 SIST EN 22340:1996 commercial
<https://standards.iteh.ai/catalog/standards/sist/8d3bf4f6-db8a-48ab-ae57-5b39858a2ecd/sist-en-22340-1996>

- 1) Other tolerances, for example a11, c11, f8, as agreed between customer and supplier.
- 2) Hole diameter d_1 = nominal size of the split pin (see ISO 1234).
- 3) For nominal lengths above 200 mm, steps of 20 mm.