



**SLOVENSKI STANDARD**  
**SIST ISO 8443:2023**

**01-april-2023**

---

**Kotalni ležaji - Radialni kroglični ležaji s prirobnico na zunanjem obročju - Mere prirobnice**

Rolling bearings - Radial ball bearings with flanged outer ring - Flange dimensions

iTeh STANDARD PREVIEW

Roulements - Roulements à billes avec bague extérieure à collet - Dimensions de collet

**Ta slovenski standard je istoveten z: ISO 8443:2022**

**ICS:**

21.100.20      Kotalni ležaji      Rolling bearings

**SIST ISO 8443:2023**

**en,fr,de**



INTERNATIONAL  
STANDARD

ISO  
8443

Fourth edition  
2022-07

---

---

**Rolling bearings — Radial ball  
bearings with flanged outer ring —  
Flange dimensions**

*Roulements — Roulements à billes avec bague extérieure à collet —  
Dimensions de collet*

iTeh STANDARD PREVIEW  
(standards.iteh.ai)

[SIST ISO 8443:2023](https://standards.iteh.ai/catalog/standards/sist/64c9bb1a-ba8d-4751-b4fa-2e69d17f8e62/sist-iso-8443-2023)

[https://standards.iteh.ai/catalog/standards/sist/64c9bb1a-ba8d-4751-b4fa-  
2e69d17f8e62/sist-iso-8443-2023](https://standards.iteh.ai/catalog/standards/sist/64c9bb1a-ba8d-4751-b4fa-2e69d17f8e62/sist-iso-8443-2023)



Reference number  
ISO 8443:2022(E)

© ISO 2022

# iTeh STANDARD PREVIEW (standards.iteh.ai)

SIST ISO 8443:2023

<https://standards.iteh.ai/catalog/standards/sist/64c9bb1a-ba8d-4751-b4fa-2e69d17f8e62/sist-iso-8443-2023>



## **COPYRIGHT PROTECTED DOCUMENT**

© ISO 2022

All rights reserved. Unless otherwise specified, or required in the context of its implementation, no part of this publication may be reproduced or utilized otherwise in any form or by any means, electronic or mechanical, including photocopying, or posting on the internet or an intranet, without prior written permission. Permission can be requested from either ISO at the address below or ISO's member body in the country of the requester.

ISO copyright office  
CP 401 • Ch. de Blandonnet 8  
CH-1214 Vernier, Geneva  
Phone: +41 22 749 01 11  
Email: [copyright@iso.org](mailto:copyright@iso.org)  
Website: [www.iso.org](http://www.iso.org)

Published in Switzerland

# Contents

	Page
Foreword.....	iv
<b>1 Scope.....</b>	<b>1</b>
<b>2 Normative references.....</b>	<b>1</b>
<b>3 Terms and definitions.....</b>	<b>1</b>
<b>4 Symbols.....</b>	<b>1</b>
<b>5 Flange dimensions.....</b>	<b>2</b>
<b>Bibliography.....</b>	<b>6</b>

## iTeh STANDARD PREVIEW (standards.iteh.ai)

[SIST ISO 8443:2023](https://standards.iteh.ai/catalog/standards/sist/64c9bb1a-ba8d-4751-b4fa-2e69d17f8e62/sist-iso-8443-2023)

<https://standards.iteh.ai/catalog/standards/sist/64c9bb1a-ba8d-4751-b4fa-2e69d17f8e62/sist-iso-8443-2023>

## ISO 8443:2022(E)

## Foreword

ISO (the International Organization for Standardization) is a worldwide federation of national standards bodies (ISO member bodies). The work of preparing International Standards is normally carried out through ISO technical committees. Each member body interested in a subject for which a technical committee has been established has the right to be represented on that committee. International organizations, governmental and non-governmental, in liaison with ISO, also take part in the work. ISO collaborates closely with the International Electrotechnical Commission (IEC) on all matters of electrotechnical standardization.

The procedures used to develop this document and those intended for its further maintenance are described in the ISO/IEC Directives, Part 1. In particular, the different approval criteria needed for the different types of ISO documents should be noted. This document was drafted in accordance with the editorial rules of the ISO/IEC Directives, Part 2 (see [www.iso.org/directives](http://www.iso.org/directives)).

Attention is drawn to the possibility that some of the elements of this document may be the subject of patent rights. ISO shall not be held responsible for identifying any or all such patent rights. Details of any patent rights identified during the development of the document will be in the Introduction and/or on the ISO list of patent declarations received (see [www.iso.org/patents](http://www.iso.org/patents)).

Any trade name used in this document is information given for the convenience of users and does not constitute an endorsement.

For an explanation of the voluntary nature of standards, the meaning of ISO specific terms and expressions related to conformity assessment, as well as information about ISO's adherence to the World Trade Organization (WTO) principles in the Technical Barriers to Trade (TBT), see [www.iso.org/iso/foreword.html](http://www.iso.org/iso/foreword.html).

This document was prepared by Technical Committee ISO/TC 4, *Rolling bearings*, Subcommittee SC 12, *Ball bearings*.

This fourth edition cancels and replaces the third edition (ISO 8443:2010), which has been technically revised.

The main changes are as follows:

- the Scope and Normative references have been modified corresponding to the withdrawal of ISO 1224-1 (i.e. tolerances of the flanges for instrument precision bearing are no longer referred to in this edition);
- [Figure 1](#) has been modified.

Any feedback or questions on this document should be directed to the user's national standards body. A complete listing of these bodies can be found at [www.iso.org/members.html](http://www.iso.org/members.html).

# Rolling bearings — Radial ball bearings with flanged outer ring — Flange dimensions

## 1 Scope

This document specifies flange dimensions of single-row radial ball bearings with flanged outer ring and single-row angular contact ball bearings with flanged outer ring. All other boundary dimensions for complete bearings are given in ISO 15.

Tolerances for the flanges are given in ISO 492.

## 2 Normative references

The following documents are referred to in the text in such a way that some or all of their content constitutes requirements of this document. For dated references, only the edition cited applies. For undated references, the latest edition of the referenced document (including any amendments) applies.

ISO 5593, *Rolling bearings — Vocabulary*

ISO 15241, *Rolling bearings — Symbols for physical quantities*

## 3 Terms and definitions

For the purposes of this document, the terms and definitions given in ISO 5593 apply.

ISO and IEC maintain terminology databases for use in standardization at the following addresses:

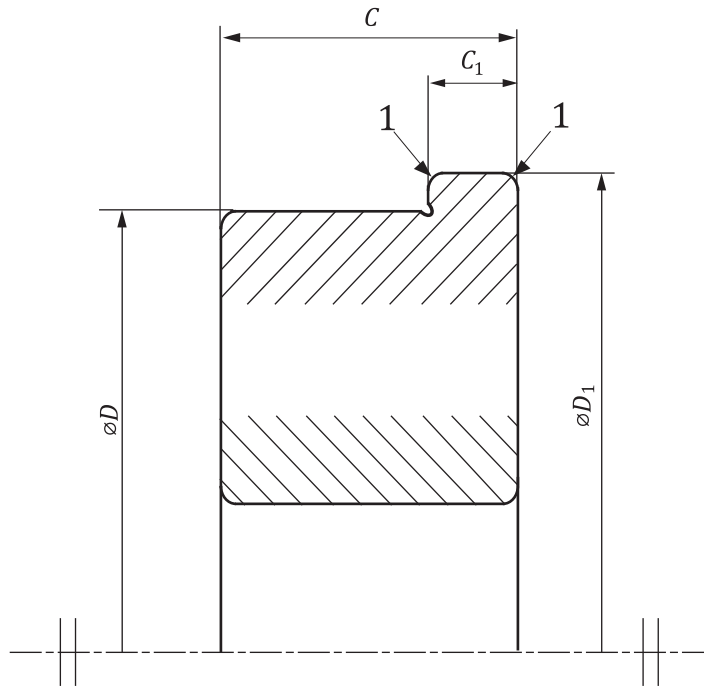
- ISO Online browsing platform: available at <https://www.iso.org/obp>
- IEC Electropedia: available at <https://www.electropedia.org/>

## 4 Symbols

For the purposes of this document, the symbols given in ISO 15241 and the following shall apply.

The symbols shown in [Figure 1](#) and the values given in [Tables 1](#) to [4](#) denote nominal dimensions, unless specified otherwise.

- $C$  outer ring width
- $C_1$  outer ring flange width
- $D$  outside diameter of outer ring
- $D_1$  outside diameter of outer ring flange

**Key**

1 broken corners

**Figure 1 — Bearing with flanged outer ring**

**5 Flange dimensions**

Flange dimensions for single-row radial ball bearings with flanged outer ring and single-row angular contact ball bearings with flanged outer ring grouped by diameter series and dimension series in accordance with ISO 15 are given in [Tables 1 to 4](#).

**Table 1 — Diameter series 7**

Dimensions in millimetres

$D$	$D_1$	$c_1$
		Dimension series 17
4	4,8	0,35
5	6	0,4
6	7,2	0,6
7	8,2	0,6
8	9,2	0,6
10	11,2	0,6
11	12,2	0,6
12	13,2	0,6
14	15,5	0,8
15	16,5	0,8



Table 2 — Diameter series 8

Dimensions in millimetres

<i>D</i>	<i>D</i> <sub>1</sub>	<i>C</i> <sub>1</sub>		
		Dimension series		
		18	28	38
2,5	3,3	0,3	—	—
3	3,8	0,3	—	0,45
4	5	0,4	—	0,6
5	6,1	0,5	—	0,6
6	7,1	0,5	—	0,8
7	8,1	0,5	—	0,8
9	10,3	0,6	1	1
11	12,5	0,8	1	1
13	15	1	1,1	1,1
14	16	1	1,1	1,1
16	18	1	1,1	1,3
17	19	1	1,1	1,3
19	21	1	1,3	1,5

Table 3 — Diameter series 9

Dimensions in millimetres

<i>D</i>	<i>D</i> <sub>1</sub>	<i>C</i> <sub>1</sub>	
		Dimension series	
		19	39
4	5	0,5	0,6
5	6,5	0,6	0,8
6	7,5	0,6	0,8
7	8,5	0,7	0,9
8	9,5	0,7	0,9
11	12,5	1	1,2
13	15	1	1,2
15	17	1,2	1,5
17	19	1,2	1,5
19	22	1,5	1,8
20	23	1,5	1,8
22	25	1,5	2

Table 4 — Diameter series 0, 2 and 3

Dimensions in millimetres

D	D <sub>1</sub>	C <sub>1</sub>	D <sub>1</sub>	C <sub>1</sub>	D <sub>1</sub>	C <sub>1</sub>
	Diameter series					
	0		2		3	
	Dimension series					
	10		02		03	
6	7,5	0,6	—	—	—	—
7	8,5	0,7	—	—	—	—
8	9,5	0,7	—	—	—	—
9	10,5	0,7	—	—	—	—
10	—	—	11,5	1	—	—
12	13,5	1	—	—	—	—
13	—	—	15	1	15	1
14	16	1	—	—	—	—
16	—	—	18	1	18	1
17	19	1,2	—	—	—	—
19	22	1,5	22	1,5	22	1,5
22	25	1,5	25	1,5	25	1,5
24	27	1,5	26	2	—	—
26	28	2	28	2	29	2
28	30	2	—	—	30,25	2,25
30	—	—	32,25	2,25	32,5	2,5
32	34,25	2,25	34,5	2,5	—	—
35	37,5	2,5	37,75	2,75	37,75	2,75
37	—	—	—	—	40	3
40	—	—	43	3	—	—
42	45	3	—	—	45	3
44	47	3	—	—	—	—
47	50	3	50,5	3,5	50,5	3,5
50	—	—	53,5	3,5	—	—
52	55	3	55,75	3,75	55,75	3,75
55	58,25	3,25	—	—	—	—
56	—	—	—	—	60	4
58	61,25	3,25	62	4	—	—
62	65,5	3,5	66	4	66	4
65	—	—	69,25	4,25	—	—
68	71,75	3,75	—	—	72,25	4,25
72	—	—	76,25	4,25	76,5	4,5
75	79	4	—	—	79,5	4,5
80	84	4	84,5	4,5	85	5
85	—	—	89,75	4,75	—	—
90	94,5	4,5	95	5	95	5
95	99,5	4,5	—	—	—	—
100	104,5	4,5	105,5	5,5	105,5	5,5
110	115	5	115,5	5,5	115,5	5,5