



Designation: **C806 – 04 C806 – 12**

## Standard Test Method for Restrained Expansion of Expansive Cement Mortar<sup>1</sup>

This standard is issued under the fixed designation C806; the number immediately following the designation indicates the year of original adoption or, in the case of revision, the year of last revision. A number in parentheses indicates the year of last reapproval. A superscript epsilon ( $\epsilon$ ) indicates an editorial change since the last revision or reapproval.

### 1. Scope

1.1 This test method covers the determination of length changes of expansive cement mortar, while under restraint, due to the development of internal forces resulting from hydration of the cement.

1.2 The values stated in ~~non-SI~~ inch-pound units are to be regarded as ~~the standard~~. ~~When both the inch-pound units and the SI units are present, the non-SI units are to be regarded as the standard. The values in SI units are approximate, are listed for information only, and will likely provide different values than the inch-pound units standard. The values given in parentheses are mathematical conversions to SI units that are provided for information only and are not considered standard.~~

1.3 *This standard does not purport to address all of the safety concerns, if any, associated with its use. It is the responsibility of the user of this standard to establish appropriate safety and health practices and determine the applicability of regulatory limitations prior to use. (Warning—Fresh hydraulic cement mixtures are caustic and may cause burns to skin and tissue upon prolonged exposure.<sup>2</sup>)*

### 2. Referenced Documents

#### 2.1 ASTM Standards:<sup>3</sup>

[A307 Specification for Carbon Steel Bolts, Studs, and Threaded Rod 60 000 PSI Tensile Strength](#)

[C109/C109M Test Method for Compressive Strength of Hydraulic Cement Mortars \(Using 2-in. or \[50-mm\] Cube Specimens\)](#)

[C157/C157M Test Method for Length Change of Hardened Hydraulic-Cement Mortar and Concrete](#)

[C219 Terminology Relating to Hydraulic Cement](#)

[C305 Practice for Mechanical Mixing of Hydraulic Cement Pastes and Mortars of Plastic Consistency](#)

[C490 Practice for Use of Apparatus for the Determination of Length Change of Hardened Cement Paste, Mortar, and Concrete](#)

[C670 Practice for Preparing Precision and Bias Statements for Test Methods for Construction Materials](#)

[C778 Specification for Sand](#)

[C1005 Specification for Reference Masses and Devices for Determining Mass and Volume for Use in the Physical Testing of Hydraulic Cements](#)

[F606 Test Methods for Determining the Mechanical Properties of Externally and Internally Threaded Fasteners, Washers, Direct Tension Indicators, and Rivets](#)

### 3. Terminology

3.1 Definitions of terms used in this test method are given in Terminology [C219](#).

### 4. Apparatus

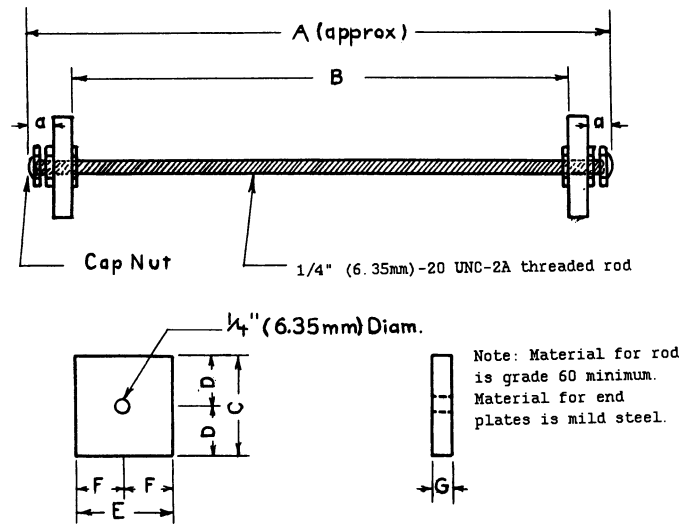
4.1 *Molds*—The molds for casting test specimens, when used in conjunction with the restraining cage described in [4.2](#), shall provide for forming either 2 by 2 by 10-in. prisms having a 10-in. gage length, or 50 by 50 by 250-mm prisms having a 250-mm gage length. The molds shall otherwise conform to the requirements of Practice [C490](#), except that the gage stud holder, gage studs, and spacer screws described in that specification will not be used.

4.2 *Restraining Cage*, consisting of a threaded steel rod with steel end plates held in place by nuts as shown in [Fig. 1](#). The rod shall be provided with cap nuts for prevention of corrosion. The rod shall conform to Specification [A307](#) Grade A except, it shall support 1180-lbf (5249 N) proof load when tested in accordance with Method 1 of Test Methods [F606](#).

<sup>1</sup> This test method is under the jurisdiction of ASTM Committee [C01](#) on Cement and is the direct responsibility of Subcommittee [C01.13](#) on Special Cements. Current edition approved July 1, 2004; Dec. 15, 2012. Published July 2004; February 2013. Originally approved in 1975. Last previous edition approved in 1995; 2004 as [C806 – 95; C806 – 04](#). DOI: 10.1520/C0806-04.10.1520/C0806-12.

<sup>2</sup> Section of Safety, Manual of Cement Testing, *Annual Book of ASTM Standards*, Vol 04.01.

<sup>3</sup> For referenced ASTM standards, visit the ASTM website, [www.astm.org](http://www.astm.org), or contact ASTM Customer Service at [service@astm.org](mailto:service@astm.org). For *Annual Book of ASTM Standards* volume information, refer to the standard's Document Summary page on the ASTM website.



|   | Dimension, in. (mm)                   | Tolerance, in. (mm) |
|---|---------------------------------------|---------------------|
| A | 11 <sup>3</sup> / <sub>4</sub> (300)  | ...                 |
| B | 10 (250)                              | 1/8 (3)             |
| C | 2 (50)                                | ...                 |
| D | 1 (25)                                | ...                 |
| E | 1 <sup>3</sup> / <sub>2</sub> (49)    | 1/32 (1)            |
| F | 6 <sup>3</sup> / <sub>64</sub> (24.5) | ...                 |
| G | 3/8 (10)                              | ...                 |

FIG. 1 Restraining Cage

4.3 *Length Comparator*—The length comparator for measuring length shall conform to and be used in accordance with the requirements of Practice C490. If the terminals of the comparator are fitted with collars, they shall be such that the cap nuts on the ends of the threaded rod of the specimen do not rest on the collar during measuring.

4.4 *Tamper*—The tamper shall be made of nonabsorptive, nonabrasive material such as medium-hard rubber or seasoned oak wood, rendered nonabsorptive by immersion for 15 min in paraffin at approximately 392 °F (200 °C), and shall have a cross section of about 1/2 by 1 in. (13 by 25 mm) and convenient length of about 6 in. (150 mm). The tamping face of the tamper shall be flat and at right angles to the length of the tamper.

4.5 *Apparatus for Demolding Specimens*—Apparatus similar to that described in the Apparatus section of Test Method C157/C157M, may be found useful for demolding specimens.

4.6 *Weights and Weighing Devices*—Scales used shall comply with Specification C1005.

NOTE 1—Generally defined, the sensibility reciprocal is the change in load required to change the position of rest of the indicating element or elements of a nonautomatic-indicating scale a definite amount at any load.

4.7 *Glass Graduates; Graduate* of suitable capacities (preferably large enough to measure the mixing water in a single operation) shall be made to deliver the indicated volume at 68 °F (20 °C). The permissible variation shall be ±2 mL. These graduates shall be subdivided to at least 5 mL, except that the graduation lines may be omitted for the lowest 10 mL for a 250-mL graduate and the lowest 25 mL for a 500-mL graduate. The main graduation lines shall be circles and shall be numbered. The least graduations shall extend at least one seventh of the way that conforms to the requirements of Test Method C109/C109M around, and intermediate graduations shall extend at least one fifth of the way around.

4.8 *Mixer, Bowl, and Paddle*—The mixer shall be an electrically driven mechanical mixer of the type equipped with paddle and mixing bowl, as specified in the Apparatus section of Practice C305.

4.9 *Trowel*—The trowel shall have a steel blade 4 to 6 in. (102 to 152 mm) in length, with straight edges.

## 5. Temperature and Humidity

5.1 The temperature of the air in the vicinity of the mixing operation, the dry materials, mixing water, molds, base plates, mixing bowl, moist closet or moist room, and storage water shall not vary from 73.4 °F (23 °C) by more than ±3 °F (±1.7 °C).

5.2 The relative humidity of the laboratory shall be not less than 50 %. The moist closet or moist room shall provide a relative humidity of not less than 95 %.