



Designation: F1055 – 13

Standard Specification for Electrofusion Type Polyethylene Fittings for Outside Diameter Controlled Polyethylene and Crosslinked Polyethylene (PEX) Pipe and Tubing¹

This standard is issued under the fixed designation F1055; the number immediately following the designation indicates the year of original adoption or, in the case of revision, the year of last revision. A number in parentheses indicates the year of last reapproval. A superscript epsilon (ϵ) indicates an editorial change since the last revision or reapproval.

1. Scope*

1.1 This specification covers electrofusion polyethylene fittings for use with outside diameter-controlled polyethylene pipe, covered by Specifications [D2513](#), [D2737](#), [D3035](#), and [F714](#) and crosslinked polyethylene (PEX), covered by Specification [F2788](#). Requirements for materials, workmanship, and testing performance are included. All requirements for joining PE electrofusion fittings to PE pipe shall also apply to joining PE electrofusion fittings to PEX pipe. Where applicable in this specification “pipe” shall mean “pipe” or “tubing.”

1.2 The values stated in inch-pound units are to be regarded as standard. The values given in parentheses are mathematical conversions to SI units that are provided for information only and are not considered standard.

1.3 The following safety hazards caveat pertains only to the test method portion, Section 9, of this specification: *This standard does not purport to address all of the safety concerns, if any, associated with its use. It is the responsibility of the user of this standard to establish appropriate safety and health practices and determine the applicability of regulatory limitations prior to use.*

2. Referenced Documents

2.1 ASTM Standards:²

- [D638](#) Test Method for Tensile Properties of Plastics
- [D1598](#) Test Method for Time-to-Failure of Plastic Pipe Under Constant Internal Pressure
- [D1599](#) Test Method for Resistance to Short-Time Hydraulic Pressure of Plastic Pipe, Tubing, and Fittings
- [D1600](#) Terminology for Abbreviated Terms Relating to Plastics

¹ This specification is under the jurisdiction of ASTM Committee [F17](#) on Plastic Piping Systems and is the direct responsibility of Subcommittee [F17.10](#) on Fittings. Current edition approved Feb. 1, 2013. Published February 2013. Originally approved in 1987. Last previous edition approved in 2012 as F1055 – 12. DOI: 10.1520/F1055-13.

² For referenced ASTM standards, visit the ASTM website, www.astm.org, or contact ASTM Customer Service at service@astm.org. For *Annual Book of ASTM Standards* volume information, refer to the standard’s Document Summary page on the ASTM website.

[D2513](#) Specification for Polyethylene (PE) Gas Pressure Pipe, Tubing, and Fittings

[D2737](#) Specification for Polyethylene (PE) Plastic Tubing

[D3035](#) Specification for Polyethylene (PE) Plastic Pipe (DR-PR) Based on Controlled Outside Diameter

[D3350](#) Specification for Polyethylene Plastics Pipe and Fittings Materials

[F412](#) Terminology Relating to Plastic Piping Systems

[F714](#) Specification for Polyethylene (PE) Plastic Pipe (DR-PR) Based on Outside Diameter

[F905](#) Practice for Qualification of Polyethylene Saddle-Fused Joints

[F1473](#) Test Method for Notch Tensile Test to Measure the Resistance to Slow Crack Growth of Polyethylene Pipes and Resins

[F2788](#) Specification for Metric and Inch-sized Crosslinked Polyethylene (PEX) Pipe

2.2 PPI Standards:³

[PPI TR-3](#) Policies and Procedures for Developing Hydrostatic Design Basis (HDB), Pressure Design Basis (PDB), Strength Design Basis (SDB), and Minimum Required Strength (MRS) Rating for Thermoplastic Piping Materials or Pipe

[PPI TR-4](#) HDB/SDB/PDB/MRS Listed Materials, PPI Listing of Hydrostatic Design Basis (HDB), Strength Design Basis (SDB), and Minimum Required Strength (MRS) Rating for Thermoplastic Piping Materials or Pipe

3. Terminology

3.1 *Definitions*—Definitions are in accordance with Terminology [F412](#), and abbreviations are in accordance with Terminology [D1600](#), unless otherwise specified.

3.2 Definitions of Terms Specific to This Standard:

3.2.1 *electrofusion*—a heat fusion joining process where the heat source is an integral part of the fitting, such that when electric current is applied, heat is produced that melts and joins the plastics.

³ Available from Plastics Pipe Institute (PPI), 105 Decker Court, Suite 825, Irving, TX 75062, <http://www.plasticpipe.org>.

*A Summary of Changes section appears at the end of this standard

TABLE 1 Specification D3350 Classification Requirements of Polyethylene Electrofusion Fitting Materials

Physical Properties	Cell Classification and Properties for Polyethylene Materials	
	PE2708	PE4710
Density	2	4
Melt Index	3 or 4	4
Flexural Modulus	≥4	≥5
Tensile Strength	≥3	≥4
Slow Crack Growth Resistance (F1473)	7	7
Hydrostatic Strength Classification	3	4
Color and UV Stabilizer	C or E	C or E
HDB at 73°F (23°C), psi (MPa)	1250 (8.62)	1600 (11.03)

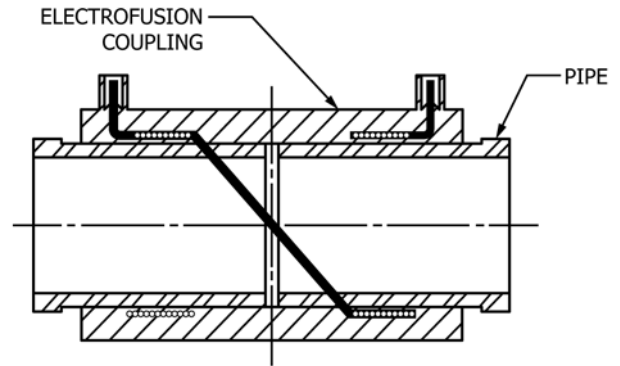


FIG. 1 Correct Wire Termination Coupling—Single Coil

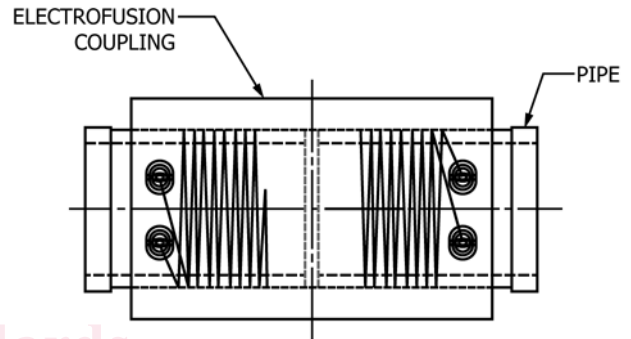


FIG. 2 Correct Wire Termination Coupling—Dual Coil

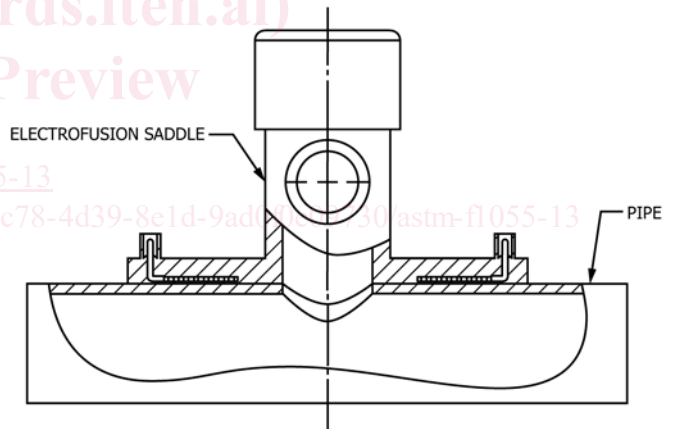


FIG. 3 Correct Wire Termination—Saddle Fitting

3.2.2 *fusion interface*—surface in the heat fusion process where the plastic materials of the products being joined bond together.

3.2.3 *fusion zone length*—total length of the melted material in the fitting cross-section under evaluation.

4. Materials and Manufacture

4.1 This specification covers fittings made from polyethylene compounds as defined in Specification D3350.

4.1.1 Polyethylene material compounds suitable for use in the manufacture of electrofusion fittings under this specification shall meet Specification D3350 and shall meet Specification D3350 classification and property requirements shown in Table 1 and shall have PPI TR-4 HDB and HDS listings at 73°F (23°C) and HDB listings at 140°F (60°C).

4.2 *Rework Material*—Clean rework polyethylene material of the same resin, free of any wire or contaminants generated from the fitting manufacturer’s own production, may be used by the same manufacturer, as long as the fittings produced conform to the requirements of this specification.

4.3 *Heating Mechanism*—The heat mechanism shall be of materials and design not detrimental to the performance of the fitting or the pipe to which it is intended to be joined. Heating mechanisms, such as wires or materials other than polyethylene, shall not exit the fitting in an area exposed to internal pressure. Heat mechanisms shall be of a design that ensures that wire terminations are toward the outer edges of the fusion zone length and away from the pressure containing area. Examples of acceptable and unacceptable wire terminations are shown in Figs. 1-5.

5. Performance Requirements

5.1 The following requirements are for electrofusion joints that have been joined using the manufacturer’s recommended joining procedures. These requirements must be met by each electrofusion joint design, on each size and type of pipe material for which the manufacturer recommends use of his fitting. Any revisions to the electrofusion joint design or processing by the manufacturer after the initial testing requires retesting to ensure these requirements can still be met. Fittings intended for use in the distribution of natural gas or liquid petroleum gas shall also meet the requirements of Specification D2513.

5.1.1 It is not required that each configuration of a fitting be tested to meet all of these qualifications (that is, 2 in. main saddle joint with multiple outlet configurations offered) as long as the electrofusion joint design is not altered in the configuration differences.

NOTE 1—It is permissible when accomplishing these tests, to do so on the highest and lowest dimension ratio of the same pipe material. If in those tests all performance requirements are met, all dimension ratios between those tested may be considered as having met the requirements. These tests do not have to cover the full range of dimension ratios available, only the dimension ratio range on which the manufacturer recommends his fitting be used.

5.2 Pressure Requirements:

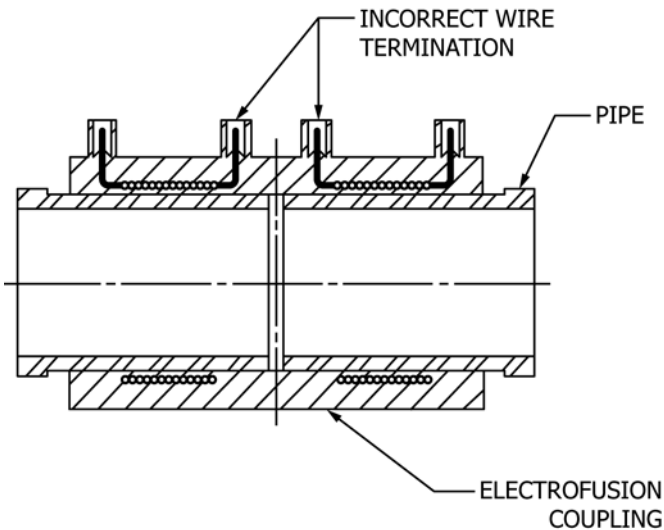


FIG. 4 Incorrect Wire Termination Coupling—Dual Coil

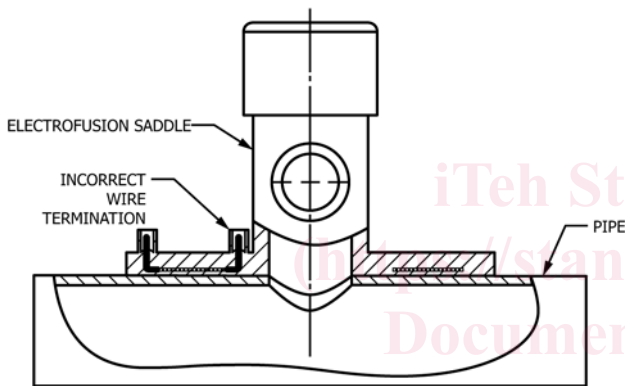


FIG. 5 Incorrect Wire Termination Saddle—Single Coil

5.2.1 *Minimum Hydraulic Burst Pressure*—The fitting and fused joint shall not fail when tested in accordance with 9.1. The minimum hydraulic burst pressure of the test specimen shall not be less than that required to produce the minimum fiber stress in the pipe as required by the controlling pipe standard for the type of pipe used in the test. In no case shall the minimum hydraulic burst pressure be less than that required to produce 2520 psi (17.4 MPa) fiber stress in the pipe for medium density PE (density cell 2) and 2900 psi (20 MPa) fiber stress in the pipe for high density PE (density cell 3 or 4) test specimens when tested in accordance with 9.1. The test equipment, procedures, and failures definitions shall be as specified in Test Method D1599.

5.2.2 *Sustained Pressure*—The fitting and fused joint shall not fail when tested in accordance with 9.2. The test pressure, minimum time-to-failure, and test temperature shall be as required by the controlling pipe standard for the type of pipe used in the test. If a pipe standard is not specified, or does not contain test requirements, the test pressure, minimum time-to-failure and test temperature shall be as shown in Table 2.

5.3 *Tensile Strength Requirements (Coupling Type Joints Only)*—The fitting or the pipe to fitting joint made on pipe shall not fail when tested in accordance with 9.3. Specimens shall be

subjected to a tensile stress that causes the pipe to yield to an elongation no less than 25 % or causes the pipe to break outside the joint area. Tensile tests must be made on specimens as joined, not on straps cut from the specimen. Yielding must be measured only in the pipe, independent of the fitting or joint.

5.4 *Impact Resistance (Saddle Type Joints Only)*—The joint made on the specimen shall not fail when impacted with a force sufficient to break the body or other portion of the specimen. Tests of 500 ft-lbf or higher impact with no failures noted shall be considered as a “pass” impact test. The device for testing and the methods shall be as defined in Practice F905.

5.5 *Joint Integrity Tests—(Couplings and Saddle Type Joints)*—The joint made on the specimen shall meet the requirements in 9.4 and 9.5 of this specification, when tested in accordance with 9.4.

6. Dimensions, Mass, and Permissible Variations

6.1 Dimension and tolerances of electrofusion fittings must be such that heat fusion is possible to outside diameter (OD) controlled PE pipes such as those listed in Specifications D2513, D2737, D3035, and F714 and PEX pipes listed in Specification F2788, such that the joints will satisfy the performance requirements in Section 5.

6.2 Because of the varying designs for electrofusion fittings, the actual spread of dimensions may be quite different from manufacturer to manufacturer. A table of dimensions and tolerances encompassing these differences would be meaningless and without value and, therefore, is omitted from this specification.

6.3 The manufacturer shall furnish to the user the electrical resistance, critical dimensions, and tolerances of his fittings. This information must include at least the following dimensions and tolerances:

- 6.3.1 Coupling inside diameter,
- 6.3.2 Temperature joining limits, and
- 6.3.3 Operating pressure of the fitting.

NOTE 2—There are other items that fall beyond the scope of this specification which would be of interest to the user for proper application of the fittings and is recommended as additional information to be furnished. A few of these are: (1) maximum pipe out of round allowed at joint area; (2) minimum/maximum pipe SDR capability of the fitting, and (3) for saddles intended for use on a live main, the maximum allowable line pressure when making the joint.

7. Workmanship, Finish, and Appearance

7.1 The manufacture of these fittings shall be in accordance with good commercial practice so as to produce fittings meeting the requirements of this specification.

7.2 The fittings shall be homogeneous throughout, except where a heating coil or electrical connectors are incorporated, and free of cracks, holes, foreign inclusions, or injurious defects such as gouges, dents, cuts, etc. The fittings shall be as uniform as commercially practicable in opacity, density, and other physical properties. Any heating coils, connecting cables, connectors, and related electrical power source shall be designed to prevent electrical shock to the user.

TABLE 2 Supplemental Sustained Pressure Test Requirements for the Pipe Material Being Tested

Condition	Test Temperature °C (°F) ^A	PE2408, PE2706, PE2708		PE3408, PE3608, PE3708, PE3710, PE4708, PE4710	
		Test Pressure Hoop Stress psi ^B (kPa) ^A	Minimum Average Time Before Failure Hours	Test Pressure Hoop Stress psi ^B (kPa) ^A	Minimum Average Time Before Failure Hours
1	80 (176)	670 (4620)	170	750 (5170)	200
2	80 (176)	650 (4480)	340	730 (5020)	400
3	80 (176)	630 (4345)	510	705 (4870)	600
4	80 (176)	610 (4210)	680	685 (4715)	800
5	80 (176)	590 (4070)	850	660 (4565)	1000
6	80 (176)	580 (4000)	1000	640 (4415)	1200

^ATest temperature tolerance ± 2 °C (± 3.6 °F). Test pressure tolerance ± 5 psi (± 35 kPa); test pressure hoop stress values are rounded to the nearest 5 psi or 5 kPa. **Table 2** conditions are based on PE validation requirements per PPI TR-3 with Condition 6 being 85% of Condition 1 hoop stress and six times greater minimum average time before failure. Conditions 2 through 5 are linear stress and time interpolations between Condition 1 and 6. The intent of multiple conditions is to maintain equivalent performance criteria, but provide for retest in the event of a ductile failure. The test pressure hoop stress levels for Conditions 2-5 are linear interpolations for arbitrarily chosen time increments. An equivalent performance requirement, however, may be determined by arbitrarily choosing a test pressure hoop stress between Conditions 1 and 6 and linearly interpolating the minimum average time before failure. For example for PE4710 material, at 670 psi test pressure hoop stress, the minimum average time before failure would be 927 hours $(200 + (750 - 670) \cdot ((1200 - 200) / (750 - 640))) = 927$.

^BCalculate internal test pressure in accordance with:

$$P = \frac{2S}{\left(\frac{Do}{t} - 1\right)}$$

where:

- P = test pressure, psig (kPa)
- S = test pressure hoop stress, psi (kPa)
- Do = measured outside pipe diameter, in. (mm)
- t = measured minimum pipe wall thickness, in. (mm)

8. Specimen Preparation

8.1 Conditioning:

8.1.1 Unless otherwise specified, condition the specimens (pipe and fittings) prior to joining at the minimum pipe temperature allowable for fusion as recommended by the manufacturer, for not less than 16 h and make the fusion joint at that temperature for those tests where conditioning is required.

8.1.2 Unless otherwise specified, condition the specimens (pipe and fittings) prior to joining at the maximum pipe temperature allowable for fusion as recommended by the manufacturer, for not less than 16 h and make the fusion joint at that temperature for those tests where conditioning is required.

8.2 *Test Conditions*—Conduct the tests at the Standard Laboratory Temperature of 23 ± 2 °C (73.4 ± 3.6 °F) unless otherwise specified.

8.3 Preparation of Specimens for Testing:

8.3.1 Prepare test specimens so that the minimum length of unreinforced pipe on one side of any fitting is equal to three times the diameter of the pipe, but in no case less than 12 in. (304 mm). It is permissible to test multiple fittings together provided they are separated by a minimum distance equal to three times the diameter of the pipe, but in no case less than 12 in. (304 mm).

8.3.2 Fuse all fitting outlets with the appropriate size pipe in accordance with the manufacturer's recommended procedures.

8.3.3 All saddle fusion joint specimens conditioned as in 8.1.2 and destined for quick burst testing as in 9.1 and sustained pressure testing as in 9.2, are to be joined with the pipe at no less than maximum allowable operating pressure of the pipe system or fitting, whichever is lowest, when being

prepared for those tests. The pipe should be left under pressure for a time period not less than recommended by the manufacturer for cooling in the field prior to disturbing the joint. Saddle joint specimens destined for mechanical/destructive type tests such as impact as in 5.4 or crush tests as in 9.4, or specimens conditioned for cold temperature joining as in 8.1.1, may be made on unpressured pipe specimens.

9. Test Methods

9.1 Minimum Hydraulic Burst Pressure Test:

9.1.1 Select four fittings at random and prepare specimens in accordance with Section 8. From the four specimens, condition two specimens each in accordance with 8.1.1 and 8.1.2.

9.1.2 Test the specimens in accordance with Test Method D1599.

9.1.3 Failure of the fitting or joint shall constitute specimen failure.

9.1.4 Failure of any one of the four specimens shall constitute failure of the test. Failure of one of the four specimens tested is cause for retest of four additional specimens, joined at the failed specimens joining temperature. Failure of any of these four additional specimens constitutes a failure of the test.

9.2 Sustained Pressure Test:

9.2.1 Select four fittings at random and prepare specimens in accordance with Section 8 of this specification. From the four specimens, condition two specimens each in accordance with 8.1.1 and 8.1.2.

9.2.2 Test the specimens in accordance with Test Method D1598. All tests shall be conducted at 80 ± 2 °C. The assemblies are to be subjected to pipe fiber stresses and minimum test periods in accordance with the controlling pipe

standards requirements for sustained pressure test. Joint specimens shall not fail within these time periods. Any failures within these time periods must be of the pipe, independent of the fitting or joint and must be of a “brittle” type pipe failure, not “ductile.” If ductile pipe failures occur, reduce the pressure of the test and repeat until the required results or pipe brittle failures are achieved. If test conditions are not specified by the controlling pipe standard, the requirements of Table 2 shall be used for the pipe material type being tested with the electro-fusion fitting.

9.2.3 Failure of the fitting or joint shall constitute specimen failure.

9.2.4 Failure of any one of the four specimens shall constitute failure of the test. Failure of one of the four specimens tested is cause for retest of four additional specimens, joined at the failed-specimens-joining temperature. Failure of any of these four additional specimens constitutes a failure of the test.

9.3 Tensile Strength Test:

9.3.1 Select four fittings at random and prepare specimens in accordance with Section 8 with the exception that it is permissible, on pipe sizes above 4 in. (102 mm) IPS, if limits of tensile machine will not allow 25 % elongation with pipe specimens of three-pipe diameters, to test with free pipe lengths of 20 in. (304-mm) minimum. From the four specimens, condition two specimens each in accordance with 8.1.1 and 8.1.2.

9.3.2 Test the specimens using the apparatus of Test Method D638. Test at a pull rate of 0.20 in. (5.0 mm) per min, ±25 %.

9.3.3 Failure of the fitting or joint as defined in 5.3, shall constitute specimen failure.

9.3.4 Failure of any one of the four specimens shall constitute failure of the test. Failure of one of the four specimens tested is cause for retest of four additional specimens, joined at the failed specimens joining temperature. Failure of any of these four additional specimens constitutes a failure of the test.

9.4 Joint Integrity Tests—Illustrations of joint crush tests for socket type joints and saddles are offered in 9.4.1 and 9.4.2 as test methods that are useful as an evaluation of bonding strength between the pipe and fitting. Alternately, the fusion evaluation test (FET) offered in 9.4.3 and 9.4.4 may be used in lieu of the crush test. Similar test evaluations as specified in the contract or purchase order and as agreed upon by the purchaser and manufacturer are of equal value in performing such evaluations and may be substituted with such agreement.

9.4.1 Joint Crush Test:

9.4.1.1 Select four fittings at random and prepare specimens in accordance with Section 8. From the four specimens, condition two specimens each in accordance with 8.1.1 and 8.1.2 (Note 3).

NOTE 3—It is permissible to utilize in joint integrity testing, specimens from the quick-burst tests conducted in 9.1 after visually determining that neither the joint area nor the pipe segment to be crushed was a part of the failure mode in the quick-burst test.

9.4.1.2 Slit socket joints longitudinally as illustrated in Fig. 6 as near the centerline of the pipe as practical. Pipe lengths extending out of the socket may be cut back to a minimum of 3 in. (76 mm) for ease of placing in a vise.

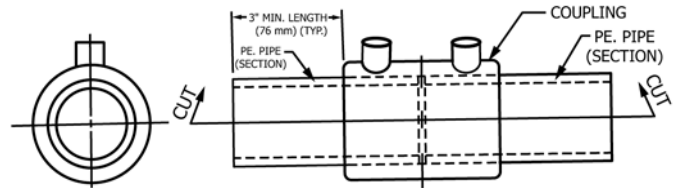


FIG. 6 Preparation of Coupling Specimen for Crush Test

9.4.1.3 Place each specimen half in a vise such that the outermost wire of coil is within 1.250 ± 0.125 in. (32 ± 3 mm) of vise jaws, with the jaws closing only on the pipe portion of the specimen (Fig. 7).

9.4.1.4 Tighten the jaws of the vise on the pipe until the inner walls of the pipe meet (Fig. 8). Repeat crush test on both halves and each end of specimen, at all ends, where a joint exists.

9.4.1.5 Separation of the fitting from the pipe at the fusion interface constitutes a failure of the test. Some minor separation at the outer limits of the fusion heat source up to 15 % of the fusion length may be seen. This does not constitute a failure. Ductile failure in the pipe, fitting, or the wire insulation material, is acceptable as long as the bond interface remains intact.

9.4.1.6 Failure of any one of the four specimens shall constitute failure of the test and is cause for retest of four additional fittings, joined at the same temperature as the failed specimens. Failure of any of these four additional specimens constitutes a failure of the test.

9.4.2 Saddle Type Joint Crush Test (Not Full-Wrap Design):

9.4.2.1 Select four fittings at random and prepare specimens in accordance with Section 8. From the four specimens, condition two specimens each in accordance with 8.1.1 and 8.1.2 (see 9.4).

9.4.2.2 Pipe lengths extending from saddle joint may be cut back clear up to the outer edges of the saddle for convenience of handling, if desired, however, it is not necessary. The length of the pipe extending beyond the saddle is not important to this test (Fig. 9).

9.4.2.3 Place the specimen in vise jaws as shown in Fig. 10, such that vise jaws are within ½ in. of saddle bottom and the jaws will close only on the pipe portion of the specimen. Saddle designs incorporating a bottom half saddle will need the bottom half removed for this test. Saddle designs incorporating a full-wrap single piece saddle are to be tested as in 9.4 socket type joints (Fig. 7 and Fig. 8).

9.4.2.4 Tighten the jaws of the vise on the pipe until the inner walls of the pipe meet (Fig. 11).

9.4.2.5 Separation of the fitting from the pipe at the fusion interface constitutes a failure of the test. Some minor separation at the outer limits of the fusion heat source up to 15 % of the fusion length may be seen. This does not constitute a failure. Ductile failure in the pipe, fitting, or the wire insulation material, is acceptable as long as the bond interface remains intact.

9.4.2.6 Failure of any one of the four specimens shall constitute failure of the test and is cause for retest of four additional fittings, joined at the same temperature as the failed

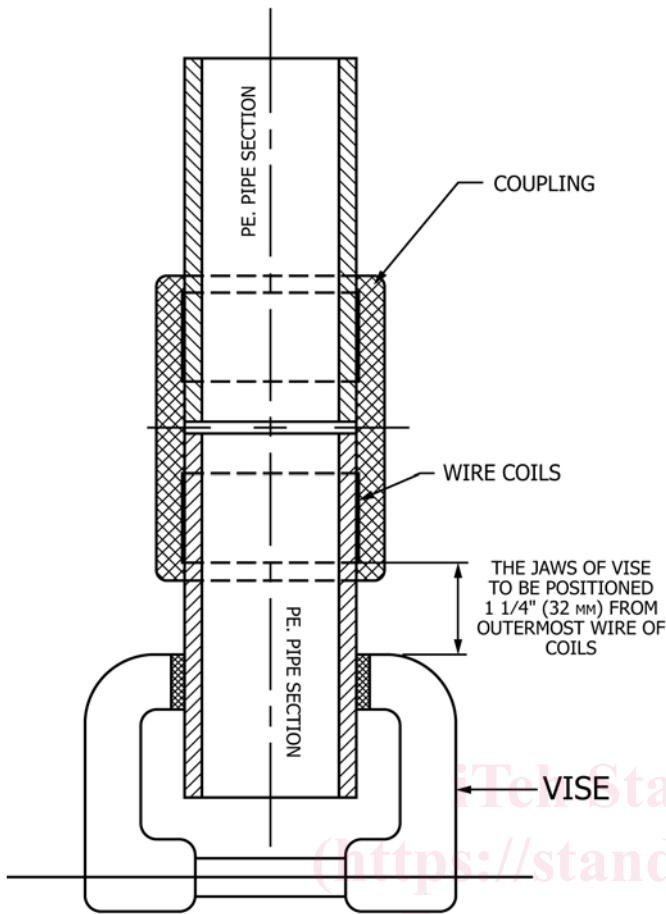


FIG. 7 Coupling Crush Test Arrangement

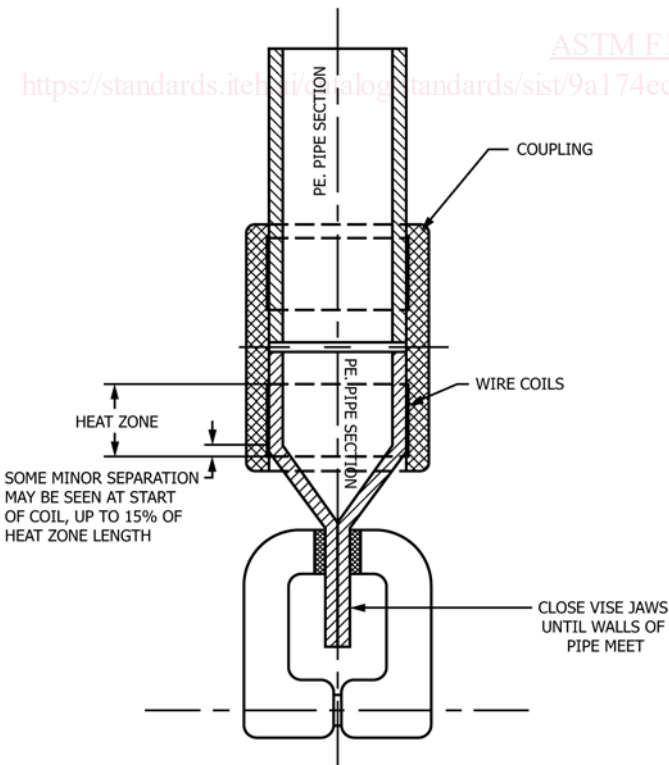


FIG. 8 Coupling Crush Test

specimens. Failure of any of these four additional specimens constitutes a failure of the test.

9.4.3 Fusion Evaluation Test (FET) of Sockets:

9.4.3.1 Select four fittings at random and prepare specimens in accordance with Section 8. From the four specimens, condition two specimens each in accordance with 8.1.1 and 8.1.2.

9.4.3.2 A band saw with a locking guide and a blade restricted to cutting plastic is recommended for obtaining the FET samples. Slit the socket in the order of cuts as illustrated in Fig. 12. First, radially cut the socket in half along the centerline of the joint. Pipe extending from the fittings may be cut back to about 1 in. from the fitting edge. Cut FET specimens approximately 1/16 in. wide from each joint half. A minimum of four FET strips shall be cut from one half of the socket and spaced approximately 90° apart.

9.4.3.3 Grip an FET specimen in a vise or clamping device as shown in Fig. 13 so that the bond line between the pipe and fitting is at least 1/16 in. from the edges of the clamping device. Flex the specimen four times 90° in both directions. Pliers may be used in lieu of a vise as long as the entire length of the fusion is flexed.

9.4.3.4 Separation of the specimen along the bond line constitutes failure of the specimen. Some minor separation at the outer limits of the fusion heat source may be seen or there may be voids between wires. This does not constitute failure as long as the voids do not exceed the limits of 9.5. Ductile failure in the pipe, fitting, or the wire insulation material is acceptable as long as the bond interface remains intact.

9.4.3.5 Failure of any one of the four joints shall constitute failure of the test and is cause for retest using four additional fittings joined at the same conditions as the failed joint specimens. Failure of any of these four additional joint specimens constitutes a failure in the test.

9.4.4 Fusion Evaluation Test of Saddle Type Joints (Not Full-Wrap Design):

9.4.4.1 Select four fittings at random and prepare specimens in accordance with Section 8. From the four specimens, condition two specimens each in accordance with 8.1.1 and 8.1.2.

9.4.4.2 A band saw with a locking guide and a blade restricted to cutting plastic is recommended for obtaining the FET samples. Remove the stack from the fitting and cut the bottom portion of the pipe from the test piece. Cut the saddle in half in the transverse direction and then cut each half again in the longitudinal direction as shown in Fig. 14. Cut FET specimens approximately 1/16 in. wide through the fusion base of the saddle fitting. These cuts must be both longitudinal and transverse using two diagonal quarters for transverse direction and the two remaining quarters for the longitudinal direction.

9.4.4.3 Inspect the fusion area for any discontinuities. Follow the instructions in 9.4.3.3 to test the FET samples.

9.4.4.4 Separation of the specimen along the bond line constitutes failure of the specimen. Some minor separation at the outer limits of the fusion heat source may be seen or there may be voids between wires. This does not constitute failure as long as the voids do not exceed the limits of 9.5. Ductile failure