

---

---

**Building environment design —  
Design, dimensioning, installation and  
control of embedded radiant heating  
and cooling systems —**

Part 6:  
**Control**

**AMENDMENT 1**

*Conception de l'environnement des bâtiments — Conception,  
construction et fonctionnement des systèmes de chauffage et de  
refroidissement par rayonnement —*

*Partie 6: Contrôle*

*AMENDEMENT 1*

---

---

**PROOF / ÉPREUVE**

---

---



iTeh STANDARD PREVIEW  
(standards.iteh.ai)

ISO 11855-6:2018/Amd 1:2023

<https://standards.iteh.ai/catalog/standards/sist/0c6489fe-a90c-48b6-b438-ebe43e6bdd5b/iso-11855-6-2018-amd-1-2023>



**COPYRIGHT PROTECTED DOCUMENT**

© ISO 2023

All rights reserved. Unless otherwise specified, or required in the context of its implementation, no part of this publication may be reproduced or utilized otherwise in any form or by any means, electronic or mechanical, including photocopying, or posting on the internet or an intranet, without prior written permission. Permission can be requested from either ISO at the address below or ISO's member body in the country of the requester.

ISO copyright office  
CP 401 • Ch. de Blandonnet 8  
CH-1214 Vernier, Geneva  
Phone: +41 22 749 01 11  
Email: [copyright@iso.org](mailto:copyright@iso.org)  
Website: [www.iso.org](http://www.iso.org)

Published in Switzerland

# Building environment design — Design, dimensioning, installation and control of embedded radiant heating and cooling systems —

## Part 6: Control

### AMENDMENT 1

#### *4.5, first paragraph*

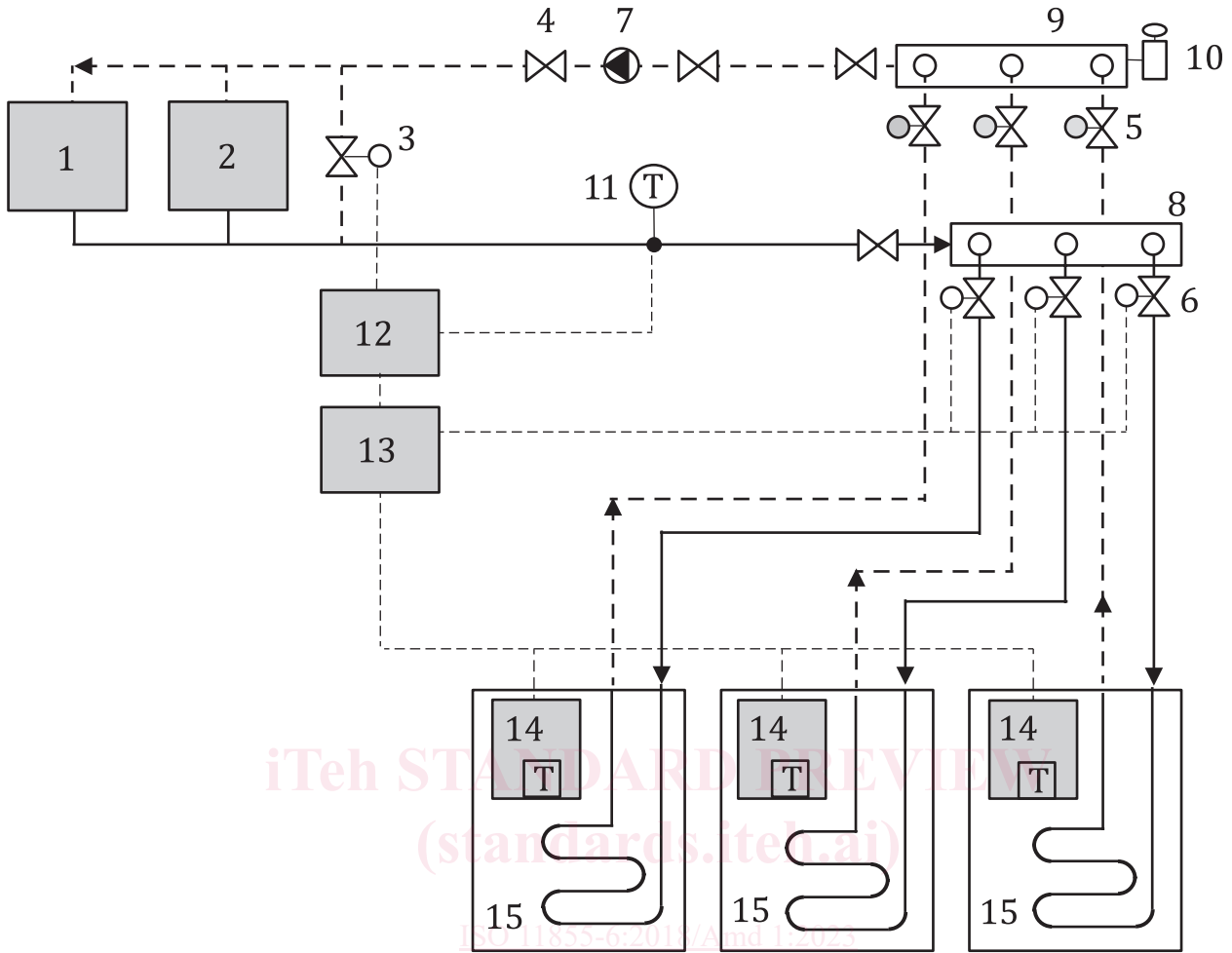
Modify to the following:

The heat capacity of surfaces with embedded pipes (e.g. as the floor screed), play a significant role for the thermodynamic properties of the heating system and hence for the control strategy. The temperature level of the heat carrier, the time response and the thermal capacity of systems depend on the thickness of the surface layer where the pipes are embedded. The highest capacity involves system types III and V with slow response to load changes on water side in concrete core followed by system types I and II, and the lowest capacity gain systems typed as IV. In most cases, the time constant of the building is several times higher than embedded systems.

[ISO 11855-6:2018/Amd 1:2023](https://standards.iteh.ai/catalog/standards/sist/0c6489fe-a90c-48b6-b438-ebe43e6bdd5b/iso-11855-6-2018-amd-1-2023)

*Figure A.1* <https://standards.iteh.ai/catalog/standards/sist/0c6489fe-a90c-48b6-b438-ebe43e6bdd5b/iso-11855-6-2018-amd-1-2023>

Replace with the following:



**Key**

- 1 heating generation
- 2 cooling generation
- 3 bypass valve
- 4 valve for maintenance
- 5 balancing valve
- 6 temperature control valve
- 7 pump
- 8 manifold (supply)
- 9 manifold (return)
- 10 air vent
- 11 water temperature sensor
- 12 controller for heat source
- 13 main controller
- 14 room temperature controller
- 15 heating and cooling zone

**Figure A.1 — Typical radiant floor header connection**

