



Designation: **D7042 – 12^{ε1} D7042 – 12a**

Standard Test Method for Dynamic Viscosity and Density of Liquids by Stabinger Viscometer (and the Calculation of Kinematic Viscosity)¹

This standard is issued under the fixed designation D7042; the number immediately following the designation indicates the year of original adoption or, in the case of revision, the year of last revision. A number in parentheses indicates the year of last reapproval. A superscript epsilon (ϵ) indicates an editorial change since the last revision or reapproval.

^{ε1} NOTE—Updated Table 2 editorially in August 2012.

1. Scope*

1.1 This test method covers and specifies a procedure for the concurrent measurement of both the dynamic viscosity, η , and the density, ρ , of liquid petroleum products and crude oils, both transparent and opaque. The kinematic viscosity, ν , can be obtained by dividing the dynamic viscosity, η , by the density, ρ , obtained at the same test temperature.

1.2 The result obtained from this test method is dependent upon the behavior of the sample and is intended for application to liquids for which primarily the shear stress and shear rate are proportional (Newtonian flow behavior).

1.3 The precision has only been determined for those materials, viscosity ranges, density ranges, and temperatures as indicated in Section 15 on Precision and Bias. The test method can be applied to a wider range of materials, viscosity, density, and temperature. For materials not listed in Section 15 on Precision and Bias, the precision and bias may not be applicable.

1.4 The values stated in SI units are to be regarded as standard. No other units of measurement are included in this standard.

1.5 *This standard does not purport to address all of the safety concerns, if any, associated with its use. It is the responsibility of the user of this standard to establish appropriate safety and health practices and to determine the applicability of regulatory limitations prior to use.*

2. Referenced Documents

2.1 ASTM Standards:²

[D445 Test Method for Kinematic Viscosity of Transparent and Opaque Liquids \(and Calculation of Dynamic Viscosity\)](#)

[D975 Specification for Diesel Fuel Oils](#)

[D2162 Practice for Basic Calibration of Master Viscometers and Viscosity Oil Standards](#)

[D2270 Practice for Calculating Viscosity Index from Kinematic Viscosity at 40 and 100°C](#)

[D4052 Test Method for Density, Relative Density, and API Gravity of Liquids by Digital Density Meter](#)

[D6299 Practice for Applying Statistical Quality Assurance and Control Charting Techniques to Evaluate Analytical Measurement System Performance](#)

[D6300 Practice for Determination of Precision and Bias Data for Use in Test Methods for Petroleum Products and Lubricants](#)

[D6617 Practice for Laboratory Bias Detection Using Single Test Result from Standard Material](#)

[D6708 Practice for Statistical Assessment and Improvement of Expected Agreement Between Two Test Methods that Purport to Measure the Same Property of a Material](#)

2.2 ISO Standards:³

[ISO 5725 Accuracy \(trueness and precision\) of measurement methods and results](#)

[ISO/IEC 17025 General Requirements for the Competence of Testing and Calibration Laboratories](#)

2.3 Other Documents:⁴

[NIST Technical Note 1297 Guideline for Evaluating and Expressing the Uncertainty of NIST Measurement Results](#)

¹ This test method is under the jurisdiction of ASTM Committee D02 on Petroleum Products and Lubricants and is the direct responsibility of Subcommittee D02.07 on Flow Properties.

Current edition approved April 15, 2012. Published July 2012. Originally approved in 2004. Last previous edition approved in 2011 as D7042-11a-12^{ε1}. DOI:10.1520/D7042-12E01. DOI:10.1520/D7042-12A.

² For referenced ASTM standards, visit the ASTM website, www.astm.org, or contact ASTM Customer Service at service@astm.org. For *Annual Book of ASTM Standards* volume information, refer to the standard's Document Summary page on the ASTM website.

³ Available from American National Standards Institute (ANSI), 25 W. 43rd St., 4th Floor, New York, NY 10036, <http://www.ansi.org>.

⁴ Available from National Institute of Standards and Technology (NIST), 100 Bureau Dr., Stop 1070, Gaithersburg, MD 20899-1070, <http://www.nist.gov>.

*A Summary of Changes section appears at the end of this standard

3. Terminology

3.1 Definitions:

3.1.1 *density* (ρ), n —mass per unit volume.

3.1.2 *dynamic viscosity* (η), n —the ratio between the applied shear stress and rate of shear of a liquid.

3.1.2.1 Discussion—

It is sometimes called the coefficient of dynamic viscosity or, simply, viscosity. Thus, dynamic viscosity is a measure of the resistance to flow or to deformation of a liquid under external shear forces.

3.1.2.2 Discussion—

The term dynamic viscosity can also be used in a different context to denote a frequency-dependent quantity in which shear stress and shear rate have a sinusoidal time dependence.

3.1.3 *kinematic viscosity* (ν), n —the ratio of the dynamic viscosity (η) to the density (ρ) of a liquid.

3.1.3.1 Discussion—

For gravity flow under a given hydrostatic head, the pressure head of a liquid is proportional to its density (ρ). Therefore the kinematic viscosity (ν) is a measure of the resistance to flow of a liquid under gravity.

3.1.4 *relative density (also called specific gravity (SG))*, n —the ratio of the density of a material at a stated temperature to the density of a reference material (usually water) at a stated temperature.

4. Summary of Test Method

4.1 The test specimen is introduced into the measuring cells, which are at a closely controlled and known temperature. The measuring cells consist of a pair of rotating concentric cylinders and an oscillating U-tube. The dynamic viscosity is determined from the equilibrium rotational speed of the inner cylinder under the influence of the shear stress of the test specimen and an eddy current brake in conjunction with adjustment data. The density is determined by the oscillation frequency of the U-tube in conjunction with adjustment data. The kinematic viscosity is calculated by dividing the dynamic viscosity by the density.

5. Significance and Use

5.1 Many petroleum products, and some non-petroleum materials, are used as lubricants and the correct operation of the equipment depends upon the appropriate viscosity of the liquid being used. In addition, the viscosity of many petroleum fuels is important for the estimation of optimum storage, handling, and operational conditions. Thus, the accurate determination of viscosity is essential to many product specifications.

5.2 Density is a fundamental physical property that can be used in conjunction with other properties to characterize both the light and heavy fractions of petroleum and petroleum products.

5.3 Determination of the density or relative density of petroleum and its products is necessary for the conversion of measured volumes to volumes at the standard temperature of 15°C.

6. Apparatus

6.1 *Stabinger Viscometer*^{5,6}

6.1.1 *Viscosity Measurement*—The Stabinger viscometer uses a rotational coaxial cylinder measuring system. The outer cylinder (tube) is driven by a motor at a constant and known rotational speed. The low-density inner cylinder (rotor) is held in the axis of rotation by the centrifugal forces of the higher density sample and in its longitudinal position by the magnet and the soft iron ring. Consequently, the system works free of bearing friction as found in rotational viscometers. A permanent magnet in the inner cylinder induces eddy currents in the surrounding copper casing. The rotational speed of the inner cylinder establishes itself as the result of the equilibrium between the driving torque of the viscous forces and the retarding eddy current torque. This rotational speed is measured by an electronic system (Hall effect sensor) by counting the frequency of the rotating magnetic field (see Fig. 1 and Fig. 2, No. 2).

⁵ The Stabinger viscometer is covered by a patent. Interested parties are invited to submit information regarding the identification of an alternative to this patented item to the ASTM International headquarters. Your comments will receive careful consideration at a meeting of the responsible technical committee, which you may attend.

⁶ The sole source of supply of the apparatus known to the committee at this time is Anton Paar GmbH, Anton-Paar-Str. 20, A-8054 Graz, Austria. If you are aware of alternative suppliers, please provide this information to ASTM International headquarters. Your comments will receive careful consideration at a meeting of the responsible technical committee, which you may attend.

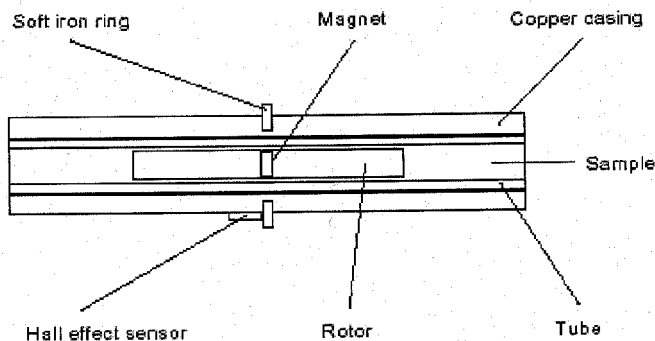


FIG. 1 Viscosity Cell

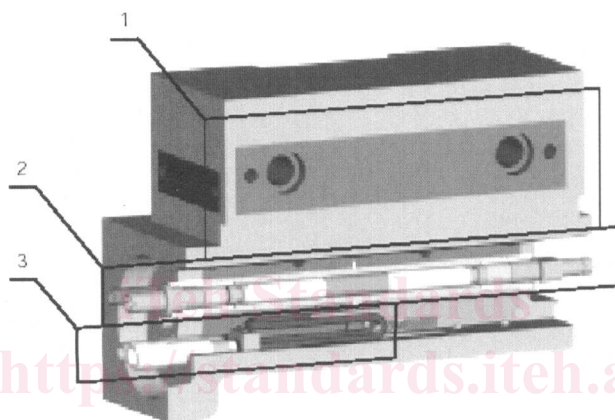


FIG. 2 Cell Block

6.1.2 *Density Measurement*—The digital density analyzer uses a U-shaped oscillating sample tube and a system for electronic excitation and frequency counting (see Fig. 2, No. 3).

6.1.3 *Temperature Control*—The copper block surrounds both the viscosity and the density measuring cell in a way that both cells are held at the same temperature. A thermoelectric heating and cooling system (see Fig. 2, No. 1) ensures the temperature stability of the copper block within $\pm 0.005^\circ\text{C}$ from the set temperature at the position of the viscosity cell over the whole temperature range. The uncertainty ($k = 2$; 95% confidence level) of the temperature calibration shall be no more than $\pm 0.03^\circ\text{C}$ over the range from 15 to 100°C . Outside this range the calibration uncertainty shall be no more than $\pm 0.05^\circ\text{C}$.

6.1.4 The thermal equilibration time depends on the heat capacity and conductivity of the liquid and on the difference between injection temperature and test temperature. Adequate temperature equilibration of the test specimen is automatically determined when successive viscosity values are constant within $\pm 0.07\%$ over 1 min and successive density values are constant within $\pm 0.00003 \text{ g/cm}^3$ over 60 s.

NOTE 1—The Stabinger Viscometer, manufactured by Anton Paar GmbH, fulfills the stated requirements when operated in the most precise mode of operation.

6.2 *Syringes*, commercially available, at least 5 mL in volume, with a Luer tip. All construction materials for syringes shall be fully compatible with all sample liquids and cleaning agents, which contact them.

6.3 *Flow-Through or Pressure Adapter*, for use as an alternative means of introducing the test specimen into the measuring cells either by pressure or by suction, provided that sufficient care and control is used to avoid any bubble formation in the test specimen. All construction materials for adaptors shall be fully compatible with all sample liquids and cleaning agents, which contact them.

6.4 *Autosampler*, for use in automated injection analyses. The autosampler shall be designed to ensure the integrity of the test specimen prior to and during the analysis and be equipped to transfer a representative portion of test specimen into the measuring cells. The autosampler shall transfer the test specimen from the sample vial to the measuring cells of the apparatus without interfering with the integrity of the test specimen. The autosampler shall be able to mimic the procedure for sample handling as set forth in 11.1 and 11.2. The autosampler may have heating capability as a means to lower the viscosity of the sample for filling the measuring cells.

6.5 *Screen*, with an aperture of 75 μm , to remove particles from the sample.

6.6 *Magnet*, strong enough to remove iron fillings from the sample. Magnetic stirring rods are suitable.

7. Reagents and Materials

7.1 *Sample Solvent*, completely miscible with the sample.

7.1.1 For most samples, a volatile petroleum spirit or naphtha is suitable. If the solvent dries up without residues in an applicable time frame, the use of a separate drying solvent is not required.

7.1.2 For residual fuels, a prewash with an aromatic solvent such as toluene or xylene may be necessary to remove asphaltic material.

7.2 *Drying Solvent*, a volatile solvent miscible with the sample solvent (see 7.1).

7.2.1 Highly concentrated ethanol (96%~~96?~~ or higher) is suitable.

7.3 *Dry Air or Nitrogen*, for blowing the measuring cells.

7.3.1 If the measuring cell temperature is below or near the dew point temperature of the ambient air, the use of an appropriate desiccator is required.

8. Sampling, Test Specimens, and Test Units

8.1 Sampling is defined as all the steps required to obtain an aliquot of the contents of any pipe, tank, or other system, and to place the sample into the laboratory test container. The laboratory test container and sample volume shall be of sufficient capacity to mix the sample and obtain a homogeneous sample for analysis.

8.2 *Particles*—For samples that are likely to contain particles (for example, used oils or crude oils) pass the sample through a 75- μm screen to remove the particles. For the removal of iron filings the use of a magnet is appropriate. Waxy samples must be heated to dissolve the wax crystals prior to filtration and a preheated filter shall be used.

8.3 *Test Specimen*—A portion or volume of sample obtained from the laboratory sample and delivered to the measuring cells. The test specimen is obtained as follows:

8.3.1 Mix the sample, if required, to homogenize. Mixing at room temperature in an open container can result in the loss of volatile material; mixing in closed, pressurized containers, or at sub-ambient temperatures is recommended.

8.3.2 Draw the test specimen from a properly mixed laboratory sample using an appropriate syringe. Alternatively, if the proper attachments and connecting tubes are used, the test specimen may be delivered directly to the measuring cells using a flow through or pressure adapter (see 6.3) or autosampler (see 6.4) from the mixing container. For waxy or other samples with a high pour point, before drawing the test specimen, heat the laboratory sample to the desired test temperature, which has to be high enough to dissolve the wax crystals.

9. Calibration and Verification

9.1 Use only a calibrated apparatus as described in 6.1. The calibration shall be checked periodically using certified reference standards as described in 9.2 and 9.3. The recommended interval for viscosity and density calibration is once a month, for temperature control once a year. For the calibration procedure follow the instructions of the manufacturer of the apparatus.

9.2 *Certified Viscosity and Density Reference Standards*—These are for use as confirmatory checks on the procedure in the laboratory. Certified viscosity and density reference standards shall be certified by a laboratory, which has shown to meet the requirements of ISO/IEC 17025 or a corresponding national standard by independent assessment. Viscosity standards shall be traceable to master viscometer procedures described in Test Method D2162. Density standards shall have a certified uncertainty of the density values of 0.0001 g/cm^3 . The uncertainty of the reference standards shall be stated for each certified value ($k = 2$; 95%~~95?~~ confidence level). See ISO 5725 or NIST Technical Note 1297.

9.3 *Thermometer*—For calibration and adjustment of the temperature control, a digital thermometer with a probe diameter of 6.25 mm and a maximal length of 80 mm shall be used. For smaller probes the use of an adapter is suitable. The uncertainty ($k = 2$; 95%~~95?~~ confidence level) of this thermometer must be no more than $\pm 0.01^\circ\text{C}$ and has to be certified by a laboratory which has shown to meet the requirements of ISO/IEC 17025 or a corresponding national standard by independent assessment. A suitable thermometer is available from the manufacturer of the apparatus.

9.4 *Acceptable Tolerance*—If the determined values of a calibration check measurement do not agree within the acceptable tolerance band of the certified values, as calculated from Annex A1, re-check each step in the procedure, including the special cleaning procedure from 12.2, to locate the source of error.

NOTE 2—Values exceeding the acceptable tolerance are generally attributable to deposits in the measuring cells that are not removed by the routine flushing procedure.

10. Adjustment

10.1 An adjustment has to be carried out when repeated calibration check measurements do not agree with the Acceptable Tolerance Band as stated in 9.4 and the error cannot be located elsewhere. For the adjustment procedure follow the instructions of the manufacturer of the apparatus.

10.2 For an adjustment, use only certified viscosity and density reference standards that fulfill the requirements as stated in 9.2. The reference standards have to be within the viscosity, density, and temperature range specified by the manufacturer of the apparatus.

10.3 After an adjustment procedure a calibration check measurement shall be performed.

11. Procedure

11.1 Standard procedure (rinsing and drying)

11.1.1 Set the internal temperature control to the desired measuring temperature.

11.1.2 Set the determinability limits and temperature stability criteria to the values stated in Table 1 for the specific product.

11.1.3 Make sure that the measuring cells are clean and dry as described in 12.1.

11.1.4 Load a minimum of 3 mL of the test specimen to the syringe if enough sample is available it is recommended to fill the entire syringe. Pour at least 2 mL of the test specimen into the measuring cells. Leave the syringe in the inlet opening and start the measurement. Wait for the instrument to indicate that the determination is valid and record the values.

11.1.5 Inject a further 1 mL without taking off the syringe and repeat the measurement.

11.1.6 If the deviation between two consecutive determinations exceeds the determinability limits as stated in Table 1 for this product, repeat step 11.1.5 until the deviation is within these limits. Discard all previously determined values and report the values of the last determination as the result.

11.1.6.1 For products not listed in the precision section, it is the responsibility of the user of this standard to establish reasonable determinability limits by a series of tests.

11.1.6.2 If the syringe is empty before obtaining a valid determination, rinse and dry the measuring cells as described in 12.1 and repeat step 11.1.4. If it is not possible to obtain a valid result within an applicable number of repetitions, report the robust mean value and the standard deviation ($k = 2$; 95% confidence level) together with a remark indicating that the determinability exceeded the limits stated in 15.2.1 for this product.

11.1.7 Remove the test specimen immediately, rinse and dry the measuring cells as described in 12.1.

11.2 *Alternative Procedure (sample displacement)*—For a series of samples that are mutually soluble (for example, various diesel fuels). It is the responsibility of the user of this standard to determine the applicability of this procedure to each class of samples.

11.2.1 Set the internal temperature control to the desired measuring temperature.

11.2.2 Set the determinability limits and temperature stability criteria to the values stated in Table 1 for the specific product.

11.2.3 Make sure that the measuring cells are clean and dry as described in 12.1.

TABLE 1 Determinability Limits and Temperature Stability Criteria

NOTE 1—X is the average results being compared.

Base Oils, Formulated Oil, and Diesel Fuel	15°C	40°C	100°C
Determinability Limit, viscosity, η^A	not available	0.001 X (0.1 %)	0.001 X (0.1 %)
Determinability Limit, density, ρ^A	not available	0.0002 g/cm ³	0.0002 g/cm ³
Temperature equilibration viscosity	not available	1 min within \pm 0.07%	1 min within \pm 0.07%
Temperature equilibration density	not available	1 min within \pm 0.00003 g/cm ³	1 min within \pm 0.00003 g/cm ³

TABLE 1 Determinability Limits and Temperature Stability Criteria

NOTE 1—X is the average results being compared.

Base Oils, Formulated Oil, Diesel Fuel, and Jet Fuel at -20°C	-20°C	15°C	40°C	100°C
Determinability Limit, viscosity, η^A	0.001 X (0.1 %)	not available	0.001 X (0.1 %)	0.001 X (0.1 %)
Determinability Limit, density, ρ^A	0.0002 g/cm ³	not available	0.0002 g/cm ³	0.0002 g/cm ³
Temperature equilibration viscosity	1 min within \pm 0.07%	not available	1 min within \pm 0.07%	1 min within \pm 0.07%
Temperature equilibration density	1 min within \pm 0.00003 g/cm ³	not available	1 min within \pm 0.00003 g/cm ³	1 min within \pm 0.00003 g/cm ³

^AThe Stabinger Viscometer, manufactured by Anton Paar GmbH, uses the terms, "Repeat Deviation Viscosity, RDV" and "Repeat Deviation Density, RDD" in lieu of "Determinability" in apparatus firmware and documentation.

11.2.4 Load a minimum of 5 mL of the test specimen to the syringe if enough sample is available it is recommended to use a 10 mL or larger syringe and to fill the entire syringe. Pour slowly at least 3 mL of the test specimen into the measuring cells. A slow flow ensures that the new test specimen displaces the old one rather than merging with it. Leave the syringe in the inlet opening and start the measurement. Wait for the instrument to indicate that the determination is valid and record the values.

11.2.5 Inject slowly a further 2 mL without taking off the syringe and repeat the measurement.

11.2.6 If the deviation between two consecutive determinations exceeds the determinability limits as stated in **Table 1** for this product, repeat step **11.2.5** until the deviation is within these limits. Discard all previously determined values and report the values of the last determination as the result.

11.2.6.1 For products not listed in the precision section it is the responsibility of the user of this standard to establish reasonable determinability limits by a series of tests.

11.2.6.2 If the syringe is empty before obtaining a valid determination repeat step **11.2.4**. If it is not possible to obtain a valid result within an applicable number of repetitions, report the robust mean value and the standard deviation ($k = 2$; 95-99.95% confidence level) together with a remark indicating that the determinability exceeded the limits stated in **15.1.1** for this product.

11.2.7 For the next sample of this series repeat the steps **11.2.4-11.2.6**.

11.2.8 After the last sample of a series perform a cleaning procedure as described in **12.1**.

11.3 *Procedure for Use with Autosampler:*

11.3.1 Set the determinability and temperature stability criteria to values in **Table 1** for the corresponding testing parameter(s) and temperature(s) of interest. Temperature control/stability requirements at the test temperatures of interest are provided in **6.1.3**. For all other sample types, see **11.3.2** for guidance.

11.3.2 For products not listed in the precision section, it is the responsibility of the user of this test method to establish reasonable determinability and temperature stability criteria by a series of tests.

11.3.3 Configure the cleaning and drying routines for the autosampler for sufficient cleaning efficiency of the product being tested.

NOTE 3—For specific information on proper configuration, follow the manufacturer’s instructions.

11.3.4 Configure the autosampler for a minimum of two consecutive determinations per sample.⁷

11.3.5 Transfer a portion of the sample into the appropriate sample vial. Cap or cover the vials as necessary.

11.3.5.1 Load sample(s) vial onto vial tray or holder and analyze the test specimens.

11.3.5.2 Evaluate the data. Rerun samples which exceed the determinability criteria established for the sample type being analyzed. (See **11.3.1** and **11.3.2**.)

12. Cleaning of the Measuring Cells

12.1 Fill the measuring cells with at least 3 mL of the sample solvent (see **7.1**). Check if the density cell is filled completely by examining the displayed density value. Start the motor for at least 10 s. For poorly soluble samples, extend this time and repeat the procedure. Then rinse the measuring cells with the drying solvent (see **7.2**) and pass through a stream of dry air or nitrogen until the last trace of solvent is removed. Make sure that the measuring cells are clean and dry by checking if the air density value is lower than 0.0020 g/cm³. If the value exceeds this limit repeat the procedure or parts of it.

12.2 *Special Cleaning Procedure*—If necessary, clean the viscosity measuring cell by manually wiping and brushing the measuring rotors using a suitable sample solvent. If necessary clean the density oscillator using suitable cleaning agents. This procedure must be carried out when repeated calibration check measurements do not agree with the acceptable tolerance as stated in **9.4**. Follow the instructions of the manufacturer of the apparatus.

13. Calculation of Results

13.1 The recorded values are the final results, expressed either as dynamic viscosity in mPa·s or as kinematic viscosity in mm²/s and as density in g/cm³ or kg/m³.

13.2 *Viscosity Index*—If results are available from the same sample at 40 and at 100°C the Viscosity Index (VI) can be calculated according to Test Method **D2270** from the kinematic viscosity results at the above temperatures.

13.3 *Density Extrapolation*—If results are available from the same sample at 40 and at 100°C density values at other temperatures can be calculated by linear extrapolation from the density results at the above temperatures. The limit for this extrapolation temperature is given by the point where changes of state (for example, cloud point or gassing) of the involved sample occur. It is the responsibility of the user of this standard to determine the applicability of this calculation to each class of samples.

14. Report

14.1 Report the following information:

14.1.1 The type and identification of the product tested.

⁷ The Stabinger Viscometer, manufactured by Anton Paar GmbH, uses the terms, “Repeat Deviation Viscosity, RDV” and “Repeat Deviation Density, RDD” in lieu of “Determinability” in apparatus firmware and documentation.