



Designation: D2457 – 13

# Standard Test Method for Specular Gloss of Plastic Films and Solid Plastics<sup>1</sup>

This standard is issued under the fixed designation D2457; the number immediately following the designation indicates the year of original adoption or, in the case of revision, the year of last revision. A number in parentheses indicates the year of last reappraisal. A superscript epsilon ( $\epsilon$ ) indicates an editorial change since the last revision or reappraisal.

## 1. Scope\*

1.1 This test method describes procedures for the measurement of gloss of plastic films and solid plastics, both opaque and transparent. It contains four separate gloss angles (Note 1):

- 1.1.1 60-deg, recommended for intermediate-gloss films,
- 1.1.2 20-deg, recommended for high-gloss films,
- 1.1.3 45-deg, recommended for intermediate and low-gloss films,
- 1.1.4 85-deg, recommended for intermediate and low gloss films, and
- 1.1.5 75-deg, recommended for plastic siding and soffit.

NOTE 1—The 85-deg, 75-deg, 60-deg, and 20-deg apparatus and method of measurement duplicate those in Test Method D523 and D3679; those for the 45° procedure are similarly taken from Test Method C346.

1.2 *This standard does not purport to address all of the safety concerns, if any, associated with its use. It is the responsibility of the user of this standard to establish appropriate safety and health practices and determine the applicability of regulatory limitations prior to use.*

NOTE 2—There is no known ISO equivalent to this standard.

## 2. Referenced Documents

- 2.1 *ASTM Standards:*<sup>2</sup>
  - C346 Test Method for 45-deg Specular Gloss of Ceramic Materials
  - D523 Test Method for Specular Gloss
  - D3679 Specification for Rigid Poly(Vinyl Chloride) (PVC) Siding
  - E284 Terminology of Appearance
  - E691 Practice for Conducting an Interlaboratory Study to Determine the Precision of a Test Method
  - E1347 Test Method for Color and Color-Difference Measurement by Tristimulus Colorimetry
  - E1349 Test Method for Reflectance Factor and Color by

<sup>1</sup> This test method is under the jurisdiction of ASTM Committee D20 on Plastics and is the direct responsibility of Subcommittee D20.40 on Optical Properties.

Current edition approved April 1, 2013. Published April 2013. Originally approved in 1965. Last previous edition approved in 2008 as D2457 – 08<sup>ε1</sup>. DOI: 10.1520/D2457-13.

<sup>2</sup> For referenced ASTM standards, visit the ASTM website, www.astm.org, or contact ASTM Customer Service at service@astm.org. For *Annual Book of ASTM Standards* volume information, refer to the standard's Document Summary page on the ASTM website.

Spectrophotometry Using Bidirectional (45°:0° or 0°:45°) Geometry

## 3. Terminology

3.1 *Definitions*—For definitions of terms used in this test method, see Terminology E284.

## 4. Significance and Use

4.1 Specular gloss is used primarily as a measure of the shiny appearance of films and surfaces. Precise comparisons of gloss values are meaningful only when they refer to the same measurement procedure and same general type of material. In particular, gloss values for transparent films should not be compared with those for opaque films, and vice versa. Gloss is a complex attribute of a surface which cannot be completely measured by any single number.

4.2 Specular gloss usually varies with surface smoothness and flatness. It is sometimes used for comparative measurements of these surface properties.

## 5. Apparatus

5.1 *Instrumental Components*—Each apparatus (Note 3) shall consist of an incandescent light source furnishing an incident beam, means for locating the surface of the specimen, and a receptor located to receive the required pyramid of rays reflected by the specimen. The receptor shall be a photosensitive device responding to visible radiation.

NOTE 3—The 75-, 60-, and 20-deg procedures require apparatus identical to that specified in Test Method D523. The 45° procedure requires apparatus like that specified in Test Method C346.

5.2 *Geometric Conditions*—The axis of the incident beam shall be at one of the specified angles from the perpendicular to the specimen surface. The axis of the receptor shall be at the mirror reflection of the axis of the incident beam. With a flat piece of polished black glass or other front-surface mirror in specimen position, an image of the source shall be formed at the center of the receptor field stop (receptor window). The length of the illuminated area of the specimen shall be equal to not more than one third of the distance from the center of this area to the receptor field stop. The angular dimensions and tolerances of the geometry of the source and receptor shall be as indicated in Table 1. The angular dimensions of the receptor field stop are measured from the center of the test surface. The

\*A Summary of Changes section appears at the end of this standard

TABLE 1 Angular Dimensions and Tolerances of Geometry of Source and Receptor Field Stops

Geometry, deg	Incidence Angle, deg	Source Field Stop		Receptor Field Stop	
		In Plane of Measurement, deg	Perpendicular to Plane of Measurement, deg	In Plane of Measurement, deg	Perpendicular to Plane of Measurement, deg
75	75 ± 0.1		3.0 max		
60	60 ± 0.1	0.75 ± 0.25	3.0 max	4.4 ± 0.1	11.7 ± 0.2
20	20 ± 0.1	0.75 ± 0.25	3.0 max	1.80 ± 0.05	3.6 ± 0.1
45	45 ± 0.1	1.4 ± 0.4	3.0 ± 1.0	8.0 ± 0.1	10.0 ± 0.2

angular dimensions of the source field stop are mostly easily measured by the specimen-to-window angular size of the mirror image of the source formed in the receptor field stop. (See Fig. 1 for a generalized illustration of the dimensions.) The tolerances are chosen so that errors of no more than one gloss unit at any point on the scale will result from errors in the source and receptor aperture.

5.3 *Vignetting*—There shall be no vignetting of rays that lie within the field angles specified in 5.2.

5.4 *Spectral Conditions*—Results should not differ significantly from those obtained with a source-filter-photocell combination that is spectrally corrected to yield CIE luminous efficiency with CIE Source C. Since specular reflection is, in general, spectrally nonselective, spectral corrections need be applied only to highly chromatic, low-gloss specimens upon agreement of users of this test method.

5.5 *Measurement Mechanism*—The receptor-measurement mechanism shall give a numerical indication that is proportional to the light flux passing the receptor field stop within ±1 percent of full-scale reading.

6. Reference Standards

6.1 *Primary Working Standards* may be highly polished, plane, black glass surfaces. The specular reflectance, in percent, ( $R_s$ ) of such surfaces shall be computed by the following equation:

$$R_s \text{ (percent)} = 50 \left[ \left[ \frac{\cos i - \sqrt{n^2 - \sin^2 i}}{\cos i + \sqrt{n^2 - \sin^2 i}} \right]^2 + \left[ \frac{n^2 \cos i - \sqrt{n^2 - \sin^2 i}}{n^2 \cos i + \sqrt{n^2 - \sin^2 i}} \right]^2 \right] \tag{1}$$

where:

- $i$  = the specular (incidence) angle, and
- $n$  = the index of refraction of the surface.

Multiply the computed  $R_s$  at each angle by the scale factors shown in Table 2.

NOTE 4—On the 45 and 60° scales, a perfect mirror measures 1000.

6.2 *Secondary Working Standards* of ceramic tile, glass, porcelain enamel, or other materials having hard, flat, and uniform surfaces may be calibrated from the primary standard on a glossmeter determined to be in strict conformance with the requirements prescribed in 5.2.

7. Preparation and Selection of Test Specimens

7.1 This test method does not cover preparation techniques. Whenever a test for gloss requires the preparation of a test specimen, report the technique of specimen preparation.

7.2 Test results have been found to be seriously affected by surface warpage, waviness, or curvature. Ensure that specimen surfaces have good planarity. Perform tests with the directions of machine marks, or similar texture effects, both parallel and perpendicular to the plane of the axes of the incident and reflected beams, unless otherwise specified. (Note that this does not avoid the second-surface reflection.)

7.3 Surface test areas shall be kept free of soil and abrasion. Gloss is due chiefly to reflection at the surface; therefore, anything that changes the surface physically or chemically is likely to affect gloss.

8. Mounting Films for Measurement

8.1 Any nonrigid film must be mounted in a device that will hold it flat, but will not stretch the film while it is measured. Three different filmholding devices have each proved satisfactory for at least some types of films:

8.1.1 *Vacuum Plate* (see Fig. 2) is required for stiff films. Connect the vacuum plate by rubber tube to a vacuum pump or vacuum line. With thin, soft films it is sometimes necessary to use a valve and pressure gage and to limit the vacuum so as to keep from collapsing the soft film into the pores of the ground plate.

8.1.2 *Flat Plate* with two-side pressure-sensitive tape (see Fig. 3). Make sure each specimen is pulled smooth, but not stretched before holding it by the two strips of adhesive tape. Replace the tape whenever it loses its adhesiveness.

8.1.3 *Telescoping Ring or Hoop* (see Fig. 4)—To mount the specimen in the telescoping ring, lay the flexible film over the base (male) section and drop the top over the base. Push down carefully, taking care to pull the test film taut without stretching it. Measure the taut area.

8.2 *Backing for Films That Transmit Light*—A matt black backing or (even better) a black cavity must be placed behind any film that transmits light. Erroneous measurements will occur without a suitable trap or backing.

9. Procedure

9.1 Operate the glossmeter in accordance with the manufacturer’s instructions.

9.2 Calibrate the instrument at the start and completion of every period of glossmeter operation and during the operation

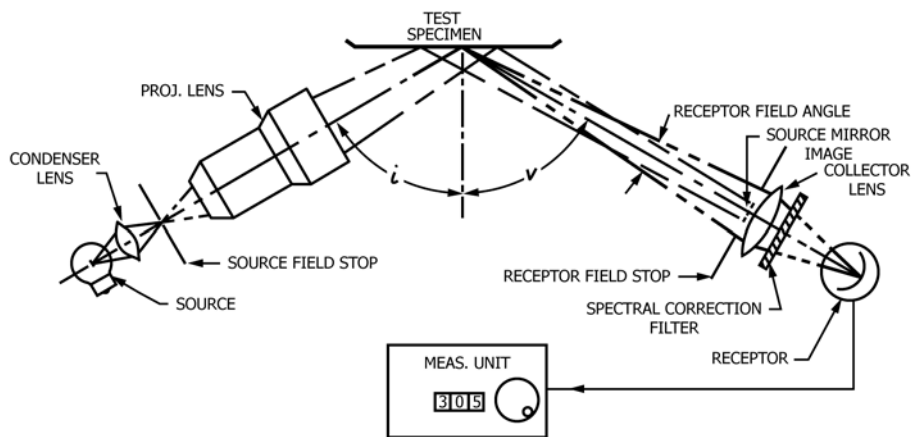


FIG. 1 Diagram of Glossmeter Showing Essential Components and Dimensions

TABLE 2 Scale Factors for Gloss Standards, Perfect Mirror and Perfect Matt White<sup>A</sup>

Geometry	Scale Factors (multiply $R_s$ of black glass standard by)	Value for Black Glass when $n = 1.540$	Value for Perfect Mirror	Value for Perfect Matt White
60°	10.0	95.8	1000	2.1
20°	20.3	92.3	2030	1.4
45°	10.0	55.9	1000	5.4

<sup>A</sup> The latter are useful for estimating corrections to gloss readings for reflection from sample backing (see Note 6).

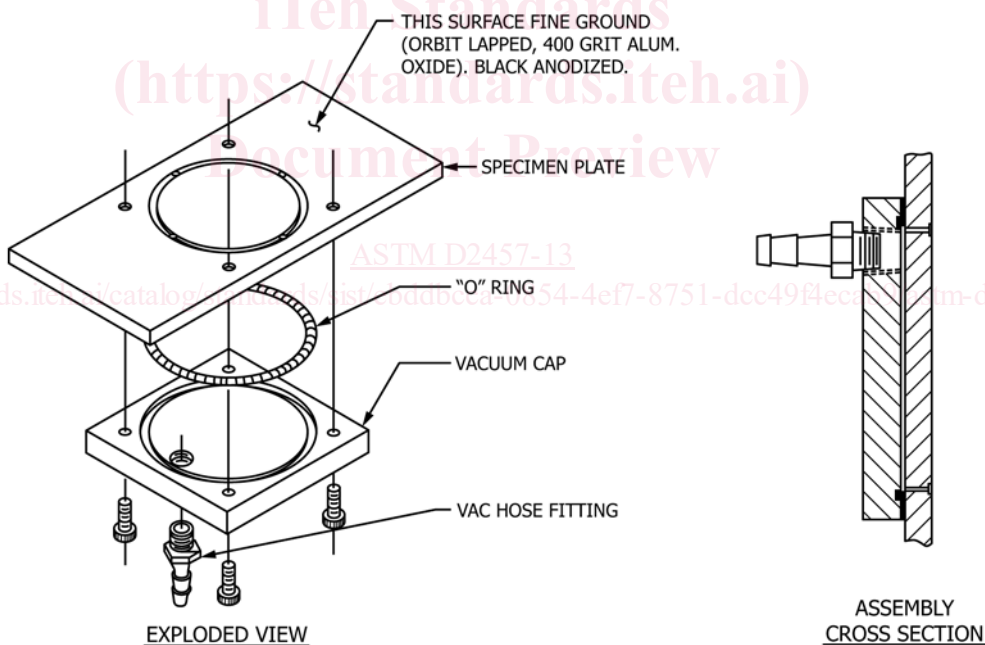


FIG. 2 Vacuum Plate Used to Hold Films Flat

at sufficiently frequent intervals to assure that the instrument response is practically constant. If at any time an instrument fails to repeat readings of the standard to within 2 percent of the prior setting, the intervening results should be rejected. To calibrate, adjust the instrument to read correctly the gloss of a highly polished standard, and then read the gloss of a standard having poorer image-forming characteristics. If the instrument reading for the second standard does not agree within 1 percent

of its assigned value, do not use the instrument without readjustment, preferably by the manufacturer.

NOTE 5—Correct readings on black-glass and intermediate standards do not guarantee instrument conformity to specification requirements. In addition to measurements with gloss standards, dimensional checks for conformity to the geometric requirements of 4.2 should be made.

9.3 Reduction of Amplification to Read over 100 Gloss Films on 0 to 100 Gloss Scale—A single smooth surface with