

Formatted: Header, Space After: 0 pt

Formatted: Font: 11 pt

~~2023-06-13~~

Style Definition: Heading 1: Indent: Left: 0 pt, First line: 0 pt, Tab stops: Not at 21.6 pt

~~ISO/DIS~~ ~~FDIS 9523:2022~~ ~~2023 (E)~~

Style Definition: Heading 2: Font: Bold, Tab stops: Not at 18 pt

~~ISO/TC-83/SC-4/WG-1~~

Style Definition: Heading 3: Font: Bold

~~Secretariat: ASI~~

Style Definition: Heading 4: Font: Bold

~~Date: 2023-08-04~~

Style Definition: Heading 5: Font: Bold

Style Definition: Heading 6: Font: Bold

**Touring ski-boots for adults — Interface with touring ski-bindings — Requirements and test methods**

Style Definition: ANNEX

Style Definition: Figure Graphic: Don't keep with next

Style Definition: Dimension\_100: Don't keep with next

Style Definition: Key Title: Don't keep with next

*Chaussures de ski de randonnée pour adultes — Zone de contact avec les fixations de skis de randonnée — Exigences et méthodes d'essai*

Style Definition: AMEND Terms Heading: Font: Bold

Style Definition: AMEND Heading 1 Unnumbered: Font: Bold

Formatted: Left: 42.55 pt, Top: 39.7 pt, Footer distance from edge: 14.2 pt

Formatted: Adjust space between Latin and Asian text, Adjust space between Asian text and numbers

iTeh STANDARD PREVIEW  
(standards.iteh.ai)

Formatted: Font: Bold

Formatted: Font: Bold

Formatted: Font: Bold

Formatted: Font: Bold

Formatted: Font: Bold

ISO/FDIS 9523

<https://standards.iteh.ai/catalog/standards/sist/0db02947-b146-45a6af176ea18/iso-fdis-9523>

Formatted: Space After: 12 pt, Adjust space between Latin and Asian text, Adjust space between Asian text and numbers

Formatted: French (Switzerland)

Formatted: Font: Not Bold, Italic, French (Switzerland)

~~Edited DIS -~~  
~~MUST BE USED~~  
~~FOR FINAL~~  
~~DRAFT~~

Formatted: English (United Kingdom)

Formatted: Font: 11.5 pt

Formatted: Font: 11.5 pt

© ISO 2023

All rights reserved. Unless otherwise specified, or required in the context of its implementation, no part of this publication may be reproduced or utilized otherwise in any form or by any means, electronic or mechanical, including photocopying, or posting on the internet or an intranet, without prior written permission. Permission can be requested from either ISO at the address below or ISO's member body in the country of the requester.

ISO Copyright Office

CP 401 • CH-1214 Vernier, Geneva

Phone: + 41 22 749 01 11

Email: [copyright@iso.org](mailto:copyright@iso.org)

Website: [www.iso.org](http://www.iso.org)

Published in Switzerland.

Formatted: Left: 42.55 pt, Footer distance from edge: 14.2 pt

# iTeh STANDARD PREVIEW (standards.iteh.ai)

ISO/FDIS 9523

<https://standards.iteh.ai/catalog/standards/sist/0db02947-b146-4408-862e-5a6af176ea18/iso-fdis-9523>

~~Edited DIS -  
MUST BE USED  
FOR FINAL  
DRAFT~~

Formatted: English (United Kingdom)

Formatted: Left, Space Before: 18 pt, Line spacing: Exactly 12 pt

Formatted: English (United Kingdom)

Formatted: Font: 11 pt, English (United Kingdom)

Formatted: Font: 11 pt, English (United Kingdom)

Formatted: Space Before: 18 pt, Line spacing: Exactly 12 pt

Formatted: Font: 11.5 pt  
 Formatted: Space After: 37 pt  
 Formatted: Font: 11.5 pt  
 Formatted: Font: 11.5 pt

Contents-

Page

Foreword..... 5

1 Scope..... 1

2 Normative references ..... 1

3 Terms and definitions ..... 1

4 Requirements and test methods..... 2

4.1 General..... 2

4.2 Dimensions..... 2

4.3 Design..... 5

4.3.1 Sole length ..... 5

4.3.2 Boot sole interface ..... 5

4.3.3 Side walls at boot toe ..... 5

4.3.4 Side walls at boot heel..... 6

4.3.5 Rigidity..... 8

4.3.6 Boot sole interface areas with the binding..... 9

4.3.7 Free spaces ..... 12

4.3.8 Toe and heel boot/binding interface areas..... 18

4.3.9 Bevelled areas ..... 21

4.3.10 Bearing surface at heel ..... 21

4.3.11 Bearing surface at toe ..... 22

4.3.12 Style of boot shell..... 22

4.3.13 Mounting point..... 22

4.3.14 Sole length ..... 22

5 Marking..... 22

6 Information supplied by the manufacturer ..... 22

6.1 General..... 22

6.2 User manual ..... 22

Annex A (informative) Mondopoint based ski boot sizing and marking ..... 24

A.1 Reference ..... 24

A.2 Range of sizes..... 24

A.3 Length intervals ..... 24

Annex B (informative) Dimensions and requirements of "second degree" ..... 25

B.1 Dimensions, Figure 1..... 25

B.2 Requirements, ..... 25

Bibliography ..... 26

Foreword..... iv

1 Scope..... 1

2 Normative references ..... 1

3 Terms and definitions ..... 1

4 Requirements and test methods..... 2

4.1 General..... 2

4.2 Dimensions..... 2

4.3 Design..... 5

4.3.1 Sole length ..... 5

Edited DIS -  
 MUST BE USED  
 FOR FINAL  
 DRAFT

Formatted: Font: 11 pt, English (United Kingdom)  
 Formatted: Left, Space Before: 18 pt, Line spacing: Exactly 12 pt  
 Formatted: Font: 11 pt, English (United Kingdom)  
 Formatted: Font: 11 pt, Not Bold, English (United Kingdom)  
 Formatted: English (United Kingdom)  
 Formatted: Space Before: 18 pt, Line spacing: Exactly 12 pt  
 Formatted: English (United Kingdom)  
 Formatted: Justified

Formatted: Font: 11.5 pt

Formatted: Font: 11.5 pt

4.3.2 Boot sole interface..... 5

4.3.3 Side walls at boot toe..... 5

4.3.4 Side walls at boot heel..... 6

4.3.5 Rigidity..... 8

4.3.6 Boot sole interface areas with the binding..... 9

4.3.7 Free spaces ..... 12

4.3.8 Toe and heel boot/binding interface areas..... 18

4.3.9 Bevelled areas..... 21

4.3.10 Bearing surface at heel ..... 21

4.3.11 Bearing surface at toe..... 22

4.3.12 Style of boot shell..... 22

4.3.13 Mounting point ..... 22

4.3.14 Sole length..... 22

5 Marking..... 22

6 Information supplied by the manufacturer ..... 22

6.1 General..... 22

6.2 User manual ..... 22

Annex A (informative) Mondopoint based ski-boot sizing and marking..... 24

A.1 Reference ..... 24

A.2 Range of sizes ..... 24

A.3 Length intervals ..... 24

Annex B (informative) Dimensions and requirements of “second degree”..... 25

B.1 Dimensions ..... 25

B.2 Requirements ..... 25

Bibliography..... 26

~~Edited DIS -~~  
MUST BE USED  
FOR FINAL  
DRAFT

Formatted: English (United Kingdom)

Formatted: Left, Space Before: 18 pt, Line spacing: Exactly 12 pt

Formatted: English (United Kingdom)

Formatted: Font: 11 pt, English (United Kingdom)

Formatted: Font: 11 pt, English (United Kingdom)

Formatted: Space Before: 18 pt, Line spacing: Exactly 12 pt

## Foreword

ISO (the International Organization for Standardization) is a worldwide federation of national standards bodies (ISO member bodies). The work of preparing International Standards is normally carried out through ISO technical committees. Each member body interested in a subject for which a technical committee has been established has the right to be represented on that committee. International organizations, governmental and non-governmental, in liaison with ISO, also take part in the work. ISO collaborates closely with the International Electrotechnical Commission (IEC) on all matters of electrotechnical standardization.

The procedures used to develop this document and those intended for its further maintenance are described in the ISO/IEC Directives, Part 1. In particular, the different approval criteria needed for the different types of ISO documents should be noted. This document was drafted in accordance with the editorial rules of the ISO/IEC Directives, Part 2 (see [www.iso.org/directives](http://www.iso.org/directives)).

Attention is drawn to the possibility that some of the elements of this document may be the subject of a patent right. ISO takes no position concerning the validity or applicability of any claimed patent rights in respect thereof. As of the date of publication of this document, ISO had not received notice of (a) patent(s) which may be required to implement this document. However, implementers are cautioned that this may not represent the latest information, which may be obtained from the patent database available at [www.iso.org/patents](http://www.iso.org/patents). ISO shall not be held responsible for identifying any or all such patent rights. Details of any patent rights identified during the development of the document will be in the Introduction and/or on the ISO list of patent declarations received (see [www.iso.org/patents](http://www.iso.org/patents)).

Any trade name used in this document is information given for the convenience of users and does not constitute an endorsement.

For an explanation of the voluntary nature of standards, the meaning of ISO specific terms and expressions related to conformity assessment, as well as information about ISO's adherence to the World Trade Organization (WTO) principles in the Technical Barriers to Trade (TBT), see [www.iso.org/iso/foreword.html](http://www.iso.org/iso/foreword.html).

This document was prepared by Technical Committee ISO/TC 83, *Sports and other recreational facilities and equipment*, Subcommittee SC 4, *Snowsports Equipment*.

This fifth edition cancels and replaces the fourth edition (ISO 9523:2019), which has been technically revised. The main changes are as follows:

The main changes are as follows: —

- the procedure of testing the coefficient of dynamic friction was modified (4.3.6.1.3-);
- the requirements on front interface and rear interface were modified;
- the requirements on contact zone for adjustment device of touring sole were modified.

Any feedback or questions on this document should be directed to the user's national standards body. A complete listing of these bodies can be found at [www.iso.org/members.html](http://www.iso.org/members.html).

Edited DIS -  
MUST BE USED  
FOR FINAL  
DRAFT

Formatted: Font: 11.5 pt  
Formatted: Space After: 37 pt  
Formatted: Font: 11.5 pt  
Formatted: Font: 11.5 pt  
Formatted: Line spacing: At least 15.5 pt, Tab stops: Not at 20 pt  
Formatted: English (United Kingdom)

Formatted: English (United Kingdom)  
Formatted: English (United Kingdom)

Formatted: English (United Kingdom)  
Formatted: English (United Kingdom)  
Formatted: English (United Kingdom)  
Formatted: English (United Kingdom)  
Formatted: English (United Kingdom)  
Formatted: English (United Kingdom)  
Formatted: English (United Kingdom)  
Formatted: English (United Kingdom)

Formatted: Adjust space between Latin and Asian text, Adjust space between Asian text and numbers

Formatted: English (United States)  
Formatted: Adjust space between Latin and Asian text, Adjust space between Asian text and numbers  
Formatted: English (United States)  
Formatted: Font: 11 pt, English (United Kingdom)  
Formatted: Left, Space Before: 18 pt, Line spacing: Exactly 12 pt  
Formatted: Font: 11 pt, English (United Kingdom)  
Formatted: Font: 11 pt, Not Bold, English (United Kingdom)  
Formatted: English (United Kingdom)  
Formatted: Space Before: 18 pt, Line spacing: Exactly 12 pt  
Formatted: English (United Kingdom)  
Formatted: Justified



## Touring ski-boots for adults — Interface with touring ski-bindings — Requirements and test methods

### 1 Scope

This document specifies the dimensions and characteristics of the interface, requirements, test methods and marking of ski-boots with a rigid ski boot sole that are used with current systems of touring ski-bindings with attachment at the boot toe and boot heel, the proper release function of which depends on the dimensions and design of the interfaces.

This document is not necessarily applicable to touring ski boots that function independent of the sole shape with certain ski-binding systems.

This document is applicable to ski-boots of sizes 15,0 ~~and larger~~ to 32,0 in the Mondopoint system (see Annex A).

It is applicable to rigid touring boots. Boots with softer shells such as Telemark boots are excluded as they do not have the necessary shell stability to act as part of the release systems.

### 2 Normative references

The following documents are referred to in the text in such a way that some or all of their content constitutes requirements of this document. For dated references, only the edition cited applies. For undated references, the latest edition of the referenced document (including any amendments) applies.

ISO 527-1, *Plastics — Determination of tensile properties — Part 1: General principles* 9523

ISO 527-2, *Plastics — Determination of tensile properties — Part 2: Test conditions for moulding and extrusion plastics*

ISO 554, *Standard atmospheres for conditioning and/or testing — Specifications*

ISO 868, *Plastics and ebonite — Determination of indentation hardness by means of a durometer (Shore hardness)*

ISO 1183 (all parts), *Plastics — Methods for determining the density of non-cellular plastics*

ISO 2039-1, *Plastics — Determination of hardness — Part 1: Ball indentation method*

ISO 5355, *Alpine ski-boots — Requirements and test methods*

### 3 Terms and definitions

For the purposes of this document, the terms and definitions given in ISO 5355 and the following apply.

ISO and IEC maintain terminology databases for use in standardization at the following addresses:

— ISO Online browsing platform: available at <https://www.iso.org/obp>

— IEC Electropedia: available at <https://www.electropedia.org/>

Formatted: Font: 11.5 pt, English (United Kingdom)

Formatted: English (United Kingdom)

Formatted: Font: 11.5 pt

Formatted: Line spacing: Exactly 11 pt

Formatted Table

Formatted: Font: 11.5 pt

Formatted: Font: 11.5 pt

Formatted: English (United Kingdom)

Formatted: Section start: New page

Formatted: English (United Kingdom)

Formatted: Don't adjust space between Latin and Asian text, Don't adjust space between Asian text and numbers

Formatted: Font: Cambria, 11 pt, English (United Kingdom)

Formatted: English (United Kingdom)

Formatted: Don't adjust space between Latin and Asian text, Don't adjust space between Asian text and numbers, Tab stops: 19.85 pt, Left + 39.7 pt, Left + 59.55 pt, Left + 79.4 pt, Left + 99.25 pt, Left + 119.05 pt, Left + 138.9 pt, Left + 158.75 pt, Left + 178.6 pt, Left + 198.45 pt, Left

Formatted: English (United Kingdom)

Formatted: Font: Cambria, English (United Kingdom)

Formatted: Font: 11 pt, English (United Kingdom)

Formatted: Left, Space Before: 18 pt, Line spacing: Exactly 12 pt

Formatted: Font: 11 pt, English (United Kingdom)

Formatted: Font: 11 pt, Not Bold, English (United Kingdom)

Formatted: Font: Not Bold, English (United Kingdom)

Formatted: Space Before: 18 pt, Line spacing: Exactly 12 pt

Formatted: Font: Not Bold, English (United Kingdom)

Formatted: Justified

**ISO/FDIS 9523:2023(E)**

- 3.1 interface area**  
part of the ski-boot intended to contact with the ski-binding
  - 3.2 front interface**  
part of the ski-boot intended to contact with the front binding
  - 3.3 rear interface**  
part of the ski-boot intended to contact with the rear binding
  - 3.4 free space**  
space intended to avoid contact between ski-boots and binding, especially during step in/step out or release
  - 3.5 rigid ski boot sole**  
ski boot sole that does not flex when walking
- Note 1 to entry: See 4.3.5.1.
- 3.6 median plane**  
middle plane of the sole, longitudinal and perpendicular to the bearing surface
  - 3.7 bearing surface**  
toe or heel surface of the boot sole that is in contact with a plane on which the boot is standing
  - 3.8 ski-brake**  
device to stop the ski after release of the binding

**4 Requirements and test methods**

**4.1 General**

If no specific test methods are indicated, check the characteristics as appropriate (e.g. by measurement).  
If not otherwise indicated, execute the testing under standard atmosphere 23/50, in accordance with ISO 554, with ordinary tolerances.

**4.2 Dimensions**

The dimensions of the boot toe and heel shall correspond to Figure 1.  
Fundamentally, all dimensions shall be within the indicated tolerance. However, relevance to safety varies in importance depending on the indicated dimensions.

Looking at several dimensions (see Annex B), deviations may be accepted, provided that the following **requirements/specifications** are respected:

- a) deviations remain exceptional;
- b) deviations are small;

Formatted: Left  
Formatted: Line spacing: At least 11.5 pt

iTeh STANDARD PREVIEW  
(standards.iteh.ai)

ISO/FDIS 9523  
<https://standards.iteh.ai/catalog/standards/sist/0db02947-b146-4408-862e-5a6af176ea18/iso-fdis-9523>

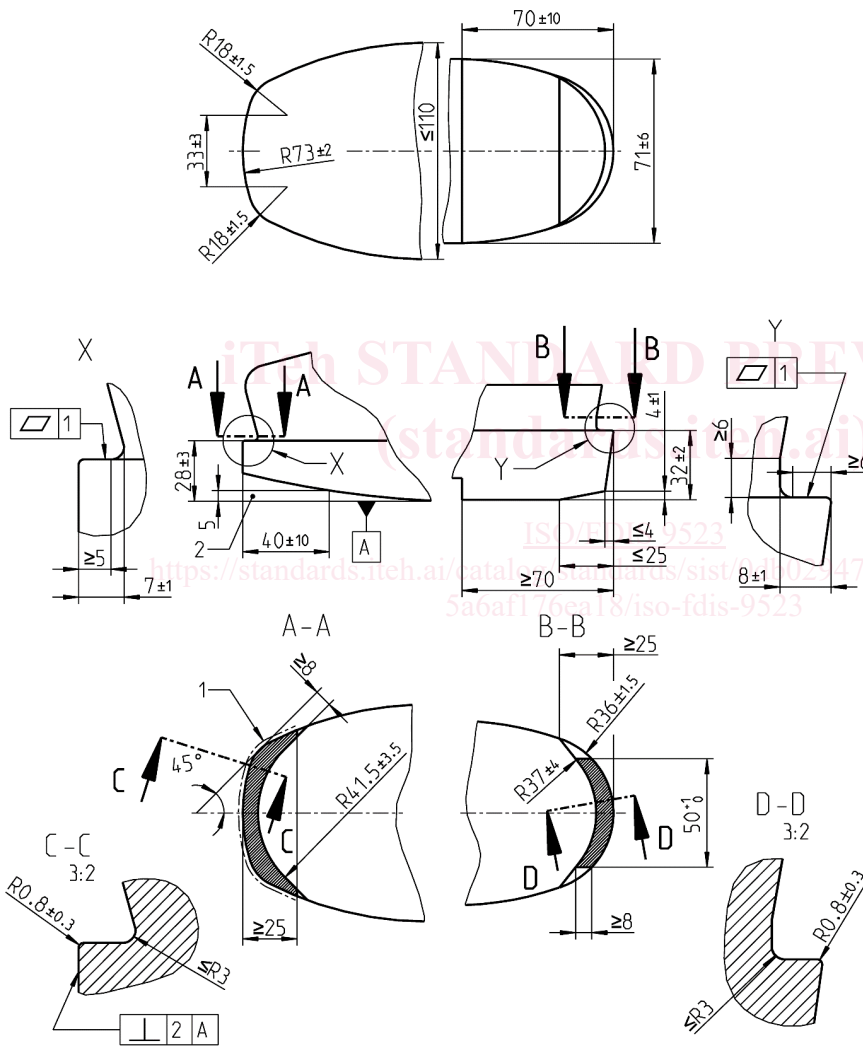
Formatted: Font: Not Bold, English (United Kingdom)  
Formatted: Font: 11 pt, English (United Kingdom)  
Formatted: Left, Space Before: 18 pt, Line spacing: Exactly 12 pt  
Formatted: Font: Not Bold, English (United Kingdom)  
Formatted: Space Before: 18 pt, Line spacing: Exactly 12 pt  
Formatted: Font: 11 pt, English (United Kingdom)



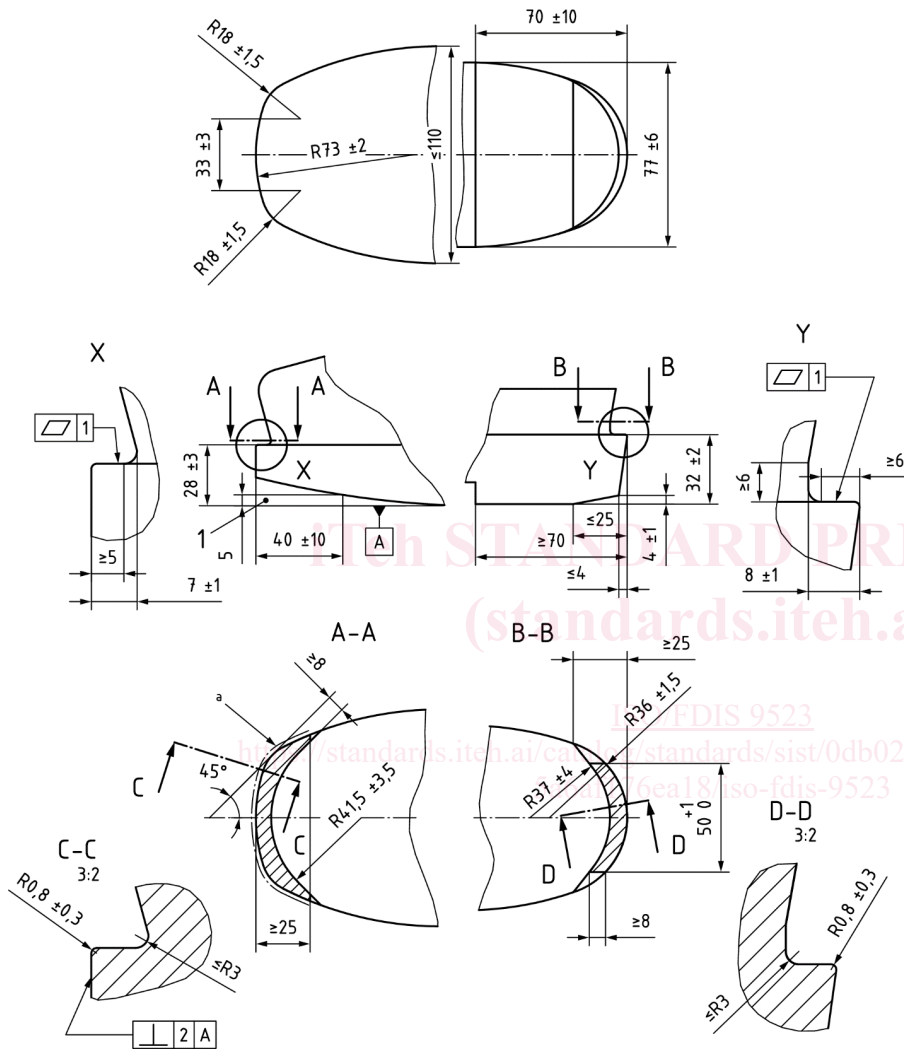
- c) no limitations of function arise with all marketable and critical bindings;
- d) tolerance is respected at the next possible chance (e.g. reconstruction of a tool).

The gauge (see Figure 1) shall be wider than the boot sole.

Dimensions in millimetres



- Formatted: Font: 11 pt, English (United Kingdom)
- Formatted: Font: 11 pt, English (United Kingdom)
- Formatted: Font: 11 pt, Not Bold, English (United Kingdom)
- Formatted: Font: Not Bold, English (United Kingdom)
- Formatted: Font: Not Bold, English (United Kingdom)
- Formatted: Left, Space Before: 18 pt, Line spacing: Exactly 12 pt
- Formatted: Space Before: 18 pt, Line spacing: Exactly 12 pt
- Formatted: Justified



Key

- 1. gauge area where perpendicularity tolerance is valid
- 2. Area where perpendicularity tolerance is valid gauge

NOTE Shaded areas are those in which the tolerance of evenness and the dimensions  $28\text{ mm} \pm 3\text{ mm}$  and  $32\text{ mm} \pm 2\text{ mm}$  are valid.

Figure 1 — Dimensions of boot toe and heel

- Formatted: Superscript
- Formatted: Superscript
- Formatted: Font: Not Bold, English (United Kingdom)
- Formatted: Font: 11 pt, English (United Kingdom)
- Formatted: Left, Space Before: 18 pt, Line spacing: Exactly 12 pt
- Formatted: Font: Not Bold, English (United Kingdom)
- Formatted: Space Before: 18 pt, Line spacing: Exactly 12 pt
- Formatted: Font: 11 pt, English (United Kingdom)

### 4.3 Design

#### 4.3.1 Sole length

The sole lengths of the two ski-boots in a pair shall not differ by more than 2 mm.

#### 4.3.2 Boot sole interface

The sole dimensions in the toe and heel boot binding interface areas shall be symmetrical about the median plane within an admissible deviation of 1 mm.

If the side walls of the sole are built in two parts, it shall be ensured that no part of the lower area of the sole protrudes beyond the upper profile.

The design of the toe and heel boot binding interface areas shall not negatively influence the function of the binding.

#### 4.3.3 Side walls at boot toe

The side walls of the sole at the boot toe up to a distance of at least 25 mm from the toe end shall be perpendicular to the bearing surface within an admissible inward-outward deviation as shown in Figure 1, section C-C.

Cut outs with an outside diameter of not more than 5,5 mm with a centre in 14 mm  $\pm$  1 mm from the tip and 6,5 mm  $\pm$  1,5 mm from the top surface are allowed (see Figure 2).

Around the hole, material different from the shell material may be used.

Dimensions in millimetres

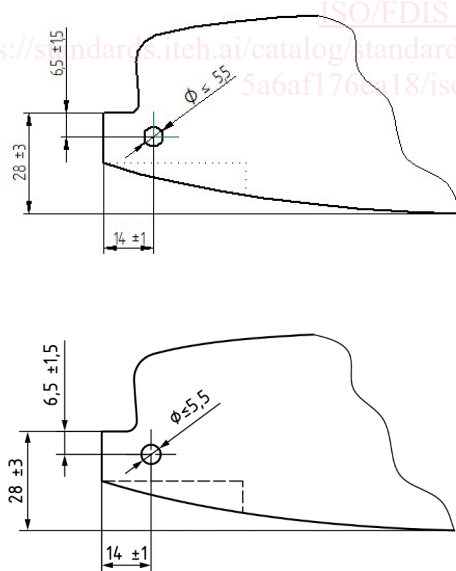


Figure 2 — Boot with the position and dimensions of an example for cut outs allowed in the toe area

Formatted: Font: 11 pt, English (United Kingdom)

Formatted: Font: 11 pt, English (United Kingdom)

Formatted: Font: 11 pt, Not Bold, English (United Kingdom)

Formatted: Font: Not Bold, English (United Kingdom)

Formatted: Font: Not Bold, English (United Kingdom)

Formatted: Left, Space Before: 18 pt, Line spacing: Exactly 12 pt

Formatted: Space Before: 18 pt, Line spacing: Exactly 12 pt

Formatted: Justified

#### 4.3.4 Side walls at boot heel

The lateral side walls of the sole at the boot heel up to a distance of at least 70 mm from the heel end shall be perpendicular to the bearing surface or tapered inwards-outwards between 0° and 10° up to a height of 14 mm.

If lateral grooves of more than 2 mm depth are present at the heel (see Figure 3), supports conforming with Figure 4 shall remain.

Other configurations of grooves may be used if they are within the given dimensions in Figure 3, Figure 4 and Figure 5.

Dimensions in millimetres

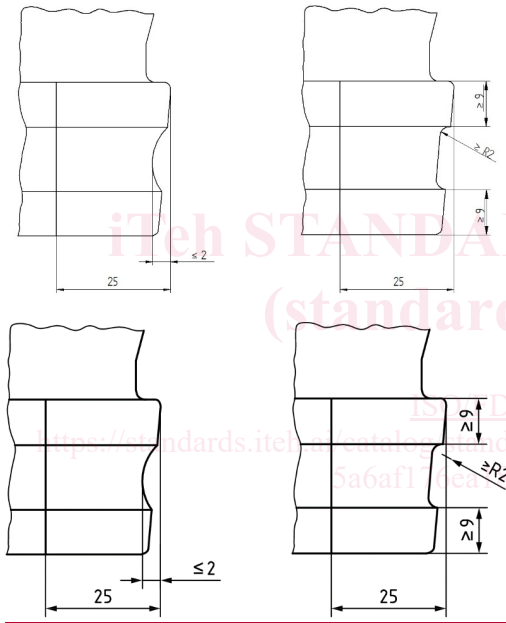


Figure 3 — Lateral grooves at heel

Dimensions in millimetres

Formatted: Font: Not Bold, English (United Kingdom)  
Formatted: Font: 11 pt, English (United Kingdom)  
Formatted: Left, Space Before: 18 pt, Line spacing: Exactly 12 pt  
Formatted: Font: Not Bold, English (United Kingdom)  
Formatted: Space Before: 18 pt, Line spacing: Exactly 12 pt  
Formatted: Font: 11 pt, English (United Kingdom)