



# FINAL DRAFT International Standard

## ISO/FDIS 8740

### Fasteners — Parallel grooved pins, with chamfer point — Full-length diamond grooves

*Fixations — Goupilles cannelées constantes, à bout chanfreiné —  
Cannelures diamant sur toute la longueur*

ISO/TC 2

Secretariat: **DIN**

Voting begins on:  
**2024-12-05**

Voting terminates on:  
**2025-01-30**

iteh Standards  
(<https://standards.iteh.ai>)  
Document Preview

[ISO/FDIS 8740](https://standards.iteh.ai/catalog/standards/iso/c63b5f76-814f-4d4f-bda1-f6ac416d087e/iso-fdis-8740)

<https://standards.iteh.ai/catalog/standards/iso/c63b5f76-814f-4d4f-bda1-f6ac416d087e/iso-fdis-8740>

**ISO/CEN PARALLEL PROCESSING**

RECIPIENTS OF THIS DRAFT ARE INVITED TO SUBMIT, WITH THEIR COMMENTS, NOTIFICATION OF ANY RELEVANT PATENT RIGHTS OF WHICH THEY ARE AWARE AND TO PROVIDE SUPPORTING DOCUMENTATION.

IN ADDITION TO THEIR EVALUATION AS BEING ACCEPTABLE FOR INDUSTRIAL, TECHNOLOGICAL, COMMERCIAL AND USER PURPOSES, DRAFT INTERNATIONAL STANDARDS MAY ON OCCASION HAVE TO BE CONSIDERED IN THE LIGHT OF THEIR POTENTIAL TO BECOME STANDARDS TO WHICH REFERENCE MAY BE MADE IN NATIONAL REGULATIONS.

iTeh Standards  
(<https://standards.iteh.ai>)  
Document Preview

[ISO/FDIS 8740](https://standards.iteh.ai/catalog/standards/iso/c63b5f76-814f-4d4f-bda1-f6ae416d087e/iso-fdis-8740)

<https://standards.iteh.ai/catalog/standards/iso/c63b5f76-814f-4d4f-bda1-f6ae416d087e/iso-fdis-8740>



**COPYRIGHT PROTECTED DOCUMENT**

© ISO 2024

All rights reserved. Unless otherwise specified, or required in the context of its implementation, no part of this publication may be reproduced or utilized otherwise in any form or by any means, electronic or mechanical, including photocopying, or posting on the internet or an intranet, without prior written permission. Permission can be requested from either ISO at the address below or ISO's member body in the country of the requester.

ISO copyright office  
CP 401 • Ch. de Blandonnet 8  
CH-1214 Vernier, Geneva  
Phone: +41 22 749 01 11  
Email: [copyright@iso.org](mailto:copyright@iso.org)  
Website: [www.iso.org](http://www.iso.org)

Published in Switzerland

# Contents

Page

Foreword.....	iv
1 Scope.....	1
2 Normative references.....	1
3 Terms and definitions.....	1
4 Principles of grooved pins and assembly.....	1
5 Dimensions.....	2
6 Requirements and reference International Standards.....	4
7 Labelling on package.....	5
8 Designation.....	5
Bibliography.....	7

iTeh Standards  
(<https://standards.iteh.ai>)  
Document Preview

[ISO/FDIS 8740](#)

<https://standards.iteh.ai/catalog/standards/iso/c63b5f76-814f-4d4f-bda1-f6ae416d087e/iso-fdis-8740>

## Foreword

ISO (the International Organization for Standardization) is a worldwide federation of national standards bodies (ISO member bodies). The work of preparing International Standards is normally carried out through ISO technical committees. Each member body interested in a subject for which a technical committee has been established has the right to be represented on that committee. International organizations, governmental and non-governmental, in liaison with ISO, also take part in the work. ISO collaborates closely with the International Electrotechnical Commission (IEC) on all matters of electrotechnical standardization.

The procedures used to develop this document and those intended for its further maintenance are described in the ISO/IEC Directives, Part 1. In particular, the different approval criteria needed for the different types of ISO document should be noted. This document was drafted in accordance with the editorial rules of the ISO/IEC Directives, Part 2 (see [www.iso.org/directives](http://www.iso.org/directives)).

ISO draws attention to the possibility that the implementation of this document may involve the use of (a) patent(s). ISO takes no position concerning the evidence, validity or applicability of any claimed patent rights in respect thereof. As of the date of publication of this document, ISO had not received notice of (a) patent(s) which may be required to implement this document. However, implementers are cautioned that this may not represent the latest information, which may be obtained from the patent database available at [www.iso.org/patents](http://www.iso.org/patents). ISO shall not be held responsible for identifying any or all such patent rights.

Any trade name used in this document is information given for the convenience of users and does not constitute an endorsement.

For an explanation of the voluntary nature of standards, the meaning of ISO specific terms and expressions related to conformity assessment, as well as information about ISO's adherence to the World Trade Organization (WTO) principles in the Technical Barriers to Trade (TBT), see [www.iso.org/iso/foreword.html](http://www.iso.org/iso/foreword.html).

This document was prepared by Technical Committee ISO/TC 2, *Fasteners*, in collaboration with the European Committee for Standardization (CEN) Technical Committee CEN/TC 185 *Fasteners*, in accordance with the Agreement on technical cooperation between ISO and CEN (Vienna Agreement).

This third edition cancels and replaces the second edition (ISO 8740:1997) which has been technically revised.

### ISO/FDIS 8740

The main changes are as follows: <https://standards.iso.org/standards/iso/c63b5f76-814f-4d4f-bda1-f6ae416d087e/iso-fdis-8740>

- terms and definitions, principles for grooved pins and assembly (including hole dimensions), control of the expanded diameter  $d_2$  and pin straightness, mechanical and physical properties (including shear resistance and hardness) and inspection which are common for all grooved pins (product standards ISO 8739 to ISO 8747, ISO 13670 and ISO 13672) have been specified in the new reference standard ISO 13669;
- non-preferred diameters 1 mm, 3,5 mm, 7 mm, 9 mm, 14 mm and 18 mm have been added;
- values of expanded diameter  $d_2$  for steel pins have been slightly increased for the shortest length range, and have been added for stainless steel pins;
- tolerances for the rounded end have been added, and chamfer end option has been deleted;
- stainless steel grades A2, A4, C1 and F1 have been added;
- other materials (such as hardened steels, brass, aluminium) are by agreement (see [Table 3](#));
- specifications for labelling have been added as [Clause 8](#).

Any feedback or questions on this document should be directed to the user's national standards body. A complete listing of these bodies can be found at [www.iso.org/members.html](http://www.iso.org/members.html).

# Fasteners — Parallel grooved pins, with chamfer point — Full-length diamond grooves

## 1 Scope

This document specifies the characteristics of parallel grooved pins with chamfer point and full-length diamond grooves (with open ends), in steel and stainless steel, and with nominal diameter 1 mm to 25 mm.

These grooved pins are designed to fulfil the main following function: locking together two or more parts, with an easy installation (due to the chamfer point) and a highest level of pull-out resistance (due to the elastic fit behaviour of the pin).

NOTE The general requirements (including functional principles for grooved pins and assembly) are specified in ISO 13669.

## 2 Normative references

The following documents are referred to in the text in such a way that some or all of their content constitutes requirements of this document. For dated references, only the edition cited applies. For undated references, the latest edition of the referenced document (including any amendments) applies.

ISO 1891-4, *Fasteners — Vocabulary — Part 4: Control, inspection, delivery, acceptance and quality*

ISO 3269, *Fasteners — Acceptance inspection*

ISO 3506-6, *Fasteners — Mechanical properties of corrosion-resistant stainless steel fasteners — Part 6: General rules for the selection of stainless steels and nickel alloys for fasteners*

ISO 4042, *Fasteners — Electroplated coating systems*

ISO 9717, *Metallic and other inorganic coatings — Phosphate conversion coating of metals*

ISO 10683, *Fasteners — Non-electrolytically applied zinc flake coating systems*

ISO 13669, *Fasteners — Grooved pins — General requirements*

## 3 Terms and definitions

For the purposes of this document, the terms and definitions given in ISO 13669 apply.

ISO and IEC maintain terminology databases for use in standardization at the following addresses:

- ISO Online browsing platform: available at <https://www.iso.org/obp>
- IEC Electropedia: available at <https://www.electropedia.org/>

## 4 Principles of grooved pins and assembly

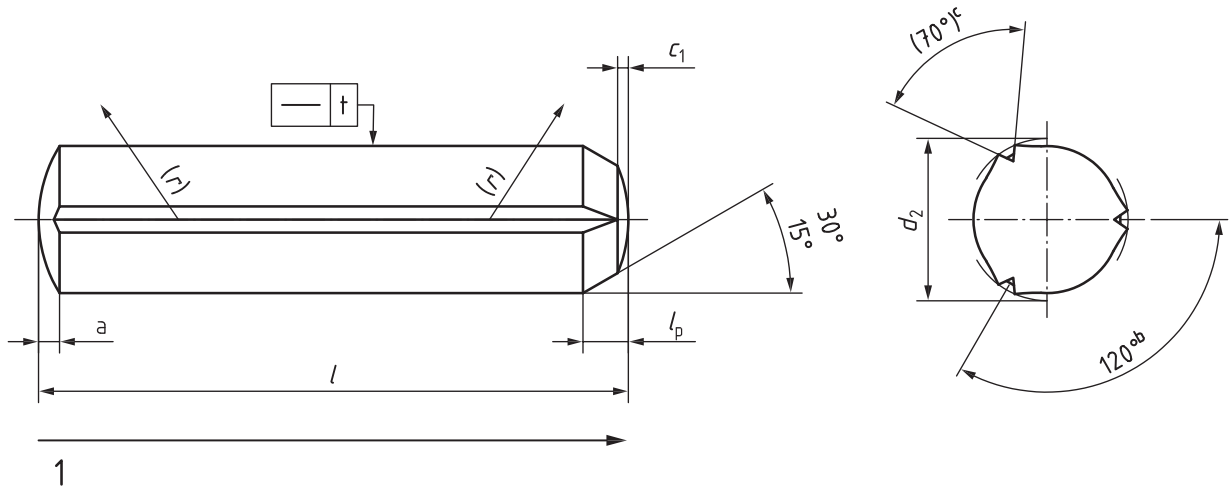
The principles of grooved pins and assembly specified in ISO 13669 shall apply.

## 5 Dimensions

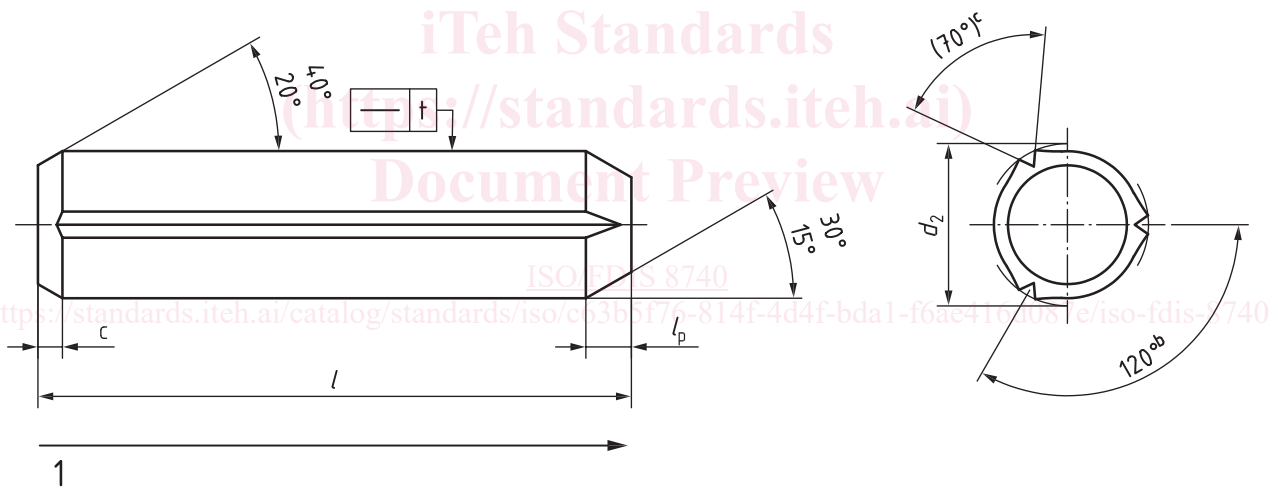
Dimensions shall be in accordance with [Figure 1](#) and with [Tables 1](#) and [2](#). The control of the expanded diameter  $d_2$  and pin straightness  $t$  shall be as specified in ISO 13669.

For coated pins, dimensions and tolerances shall apply prior to coating.

Unless otherwise agreed at the time of the order, the pins are manufactured with rounded ends.



a) Pin with chamfered point and rounded ends (RN)



b) Option: pin with both chamfered points (CH)

### Key

- 1 insertion side
- a The pin diameter  $d_1$  is only applicable in areas where grooves are not present.
- b The angle of  $120^\circ$  between two grooves shall apply with a tolerance of  $\pm 20^\circ$ .
- c The groove angle of  $70^\circ$  is a reference dimension, see ISO 13669.

**Figure 1 — Parallel grooved pins with chamfer point and full-length diamond grooves**

The three grooves shall be open at the rounded or chamfered end at the opposite side of the chamfer point.