



**International  
Standard**

**ISO 8746**

**Fasteners — Grooved pins with round  
head — Full-length diamond grooves**

*Fixations — Clous cannelés à tête ronde — Cannelures diamant  
sur toute la longueur*

**Third edition  
2025-02**

iTeh Standards  
(<https://standards.iteh.ai>)  
Document Preview

[ISO 8746:2025](https://standards.iteh.ai/catalog/standards/iso/82d4e2f0-3d82-426c-8302-49779cc6df3c/iso-8746-2025)

<https://standards.iteh.ai/catalog/standards/iso/82d4e2f0-3d82-426c-8302-49779cc6df3c/iso-8746-2025>

iTeh Standards  
(<https://standards.iteh.ai>)  
Document Preview

[ISO 8746:2025](https://standards.iteh.ai/catalog/standards/iso/82d4e2f0-3d82-426c-8302-49779cc6df3c/iso-8746-2025)

<https://standards.iteh.ai/catalog/standards/iso/82d4e2f0-3d82-426c-8302-49779cc6df3c/iso-8746-2025>



**COPYRIGHT PROTECTED DOCUMENT**

© ISO 2025

All rights reserved. Unless otherwise specified, or required in the context of its implementation, no part of this publication may be reproduced or utilized otherwise in any form or by any means, electronic or mechanical, including photocopying, or posting on the internet or an intranet, without prior written permission. Permission can be requested from either ISO at the address below or ISO's member body in the country of the requester.

ISO copyright office  
CP 401 • Ch. de Blandonnet 8  
CH-1214 Vernier, Geneva  
Phone: +41 22 749 01 11  
Email: [copyright@iso.org](mailto:copyright@iso.org)  
Website: [www.iso.org](http://www.iso.org)

Published in Switzerland

# Contents

Page

Foreword.....	iv
1 Scope.....	1
2 Normative references.....	1
3 Terms and definitions.....	1
4 Principles of grooved pins and assembly.....	1
5 Dimensions.....	2
6 Requirements and reference International Standards.....	5
7 Labelling on package.....	5
8 Designation.....	6
Bibliography.....	7

iTeh Standards  
(<https://standards.iteh.ai>)  
Document Preview

[ISO 8746:2025](https://standards.iteh.ai/catalog/standards/iso/82d4e2f0-3d82-426c-8302-49779cc6df3c/iso-8746-2025)

<https://standards.iteh.ai/catalog/standards/iso/82d4e2f0-3d82-426c-8302-49779cc6df3c/iso-8746-2025>

## Foreword

ISO (the International Organization for Standardization) is a worldwide federation of national standards bodies (ISO member bodies). The work of preparing International Standards is normally carried out through ISO technical committees. Each member body interested in a subject for which a technical committee has been established has the right to be represented on that committee. International organizations, governmental and non-governmental, in liaison with ISO, also take part in the work. ISO collaborates closely with the International Electrotechnical Commission (IEC) on all matters of electrotechnical standardization.

The procedures used to develop this document and those intended for its further maintenance are described in the ISO/IEC Directives, Part 1. In particular, the different approval criteria needed for the different types of ISO document should be noted. This document was drafted in accordance with the editorial rules of the ISO/IEC Directives, Part 2 (see [www.iso.org/directives](http://www.iso.org/directives)).

ISO draws attention to the possibility that the implementation of this document may involve the use of (a) patent(s). ISO takes no position concerning the evidence, validity or applicability of any claimed patent rights in respect thereof. As of the date of publication of this document, ISO had not received notice of (a) patent(s) which may be required to implement this document. However, implementers are cautioned that this may not represent the latest information, which may be obtained from the patent database available at [www.iso.org/patents](http://www.iso.org/patents). ISO shall not be held responsible for identifying any or all such patent rights.

Any trade name used in this document is information given for the convenience of users and does not constitute an endorsement.

For an explanation of the voluntary nature of standards, the meaning of ISO specific terms and expressions related to conformity assessment, as well as information about ISO's adherence to the World Trade Organization (WTO) principles in the Technical Barriers to Trade (TBT), see [www.iso.org/iso/foreword.html](http://www.iso.org/iso/foreword.html).

This document was prepared by Technical Committee ISO/TC 2, *Fasteners*, in collaboration with the European Committee for Standardization (CEN) Technical Committee CEN/TC 185 *Fasteners*, in accordance with the Agreement on technical cooperation between ISO and CEN (Vienna Agreement).

This third edition cancels and replaces the second edition (ISO 8746:1997) which has been technically revised.

The main changes are as follows:

- terms and definitions, principles for grooved pins and assembly (including hole dimensions), control of the expanded diameter  $d_2$  and pin straightness, mechanical and physical properties (including shear resistance and hardness) and inspection which are common for all grooved pins (product standards ISO 8739 to ISO 8747, ISO 13670 and ISO 13672) have been specified in the new reference standard ISO 13669 dealing with general requirements;
- nominal sizes 1,4 mm and 1,6 mm have been deleted;
- the symbols for the pilot point (PL instead of B) and optional chamfer point (CH instead of A) have been amended analogously to ISO 4753; the length of the points has been specified as a minimum value;
- the head diameters  $d_k$  have been recalculated and rounded to the nearest 0,05 mm for pins with nominal sizes up to 8 mm;  $d_{k,max}$  has been recalculated for pins with nominal sizes 16 mm and 20 mm;
- the maximum distance between the underhead bearing surface and the beginning of the grooves  $l_k$  has been added;
- stainless steel grades A2, A4, C1 and F1 have been added;
- other materials (such as hardened steels, brass, aluminium) are by agreement (see [Table 3](#));
- specifications for labelling have been added as [Clause 8](#).

Any feedback or questions on this document should be directed to the user's national standards body. A complete listing of these bodies can be found at [www.iso.org/members.html](http://www.iso.org/members.html).

# Fasteners — Grooved pins with round head — Full-length diamond grooves

## 1 Scope

This document specifies the characteristics of grooved pins with round head, full-length diamond grooves and pilot point or chamfered point, in steel and stainless steel, and with nominal diameter 2 mm to 20 mm.

These grooved pins are designed to fulfil the main following function: locking together two or more parts, with the easiest installation (due to the pilot or chamfer point) and a highest level of pull-out resistance (due to the elastic fit behaviour of the pin).

The general requirements (including functional principles for grooved pins and assembly) are specified in ISO 13669.

## 2 Normative references

The following documents are referred to in the text in such a way that some or all of their content constitutes requirements of this document. For dated references, only the edition cited applies. For undated references, the latest edition of the referenced document (including any amendments) applies.

ISO 1891-4, *Fasteners — Vocabulary — Part 4: Control, inspection, delivery, acceptance and quality*

ISO 3269, *Fasteners — Acceptance inspection*

ISO 3506-6, *Fasteners — Mechanical properties of corrosion-resistant stainless steel fasteners — Part 6: General rules for the selection of stainless steels and nickel alloys for fasteners*

ISO 4042, *Fasteners — Electroplated coating systems*

ISO 9717, *Metallic and other inorganic coatings — Phosphate conversion coating of metals*

ISO 10683, *Fasteners — Non-electrolytically applied zinc flake coating systems*

ISO 13669, *Fasteners — Grooved pins — General requirements*

## 3 Terms and definitions

For the purposes of this document, the terms and definitions given in ISO 13669 apply.

ISO and IEC maintain terminology databases for use in standardization at the following addresses:

- ISO Online browsing platform: available at <https://www.iso.org/obp>
- IEC Electropedia: available at <https://www.electropedia.org/>

## 4 Principles of grooved pins and assembly

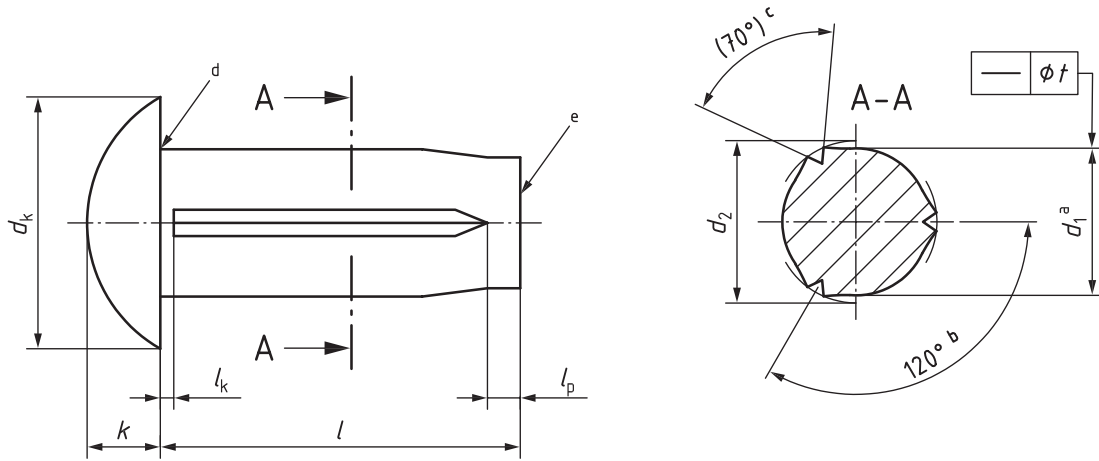
The principles of grooved pins and assembly specified in ISO 13669 shall apply.

## 5 Dimensions

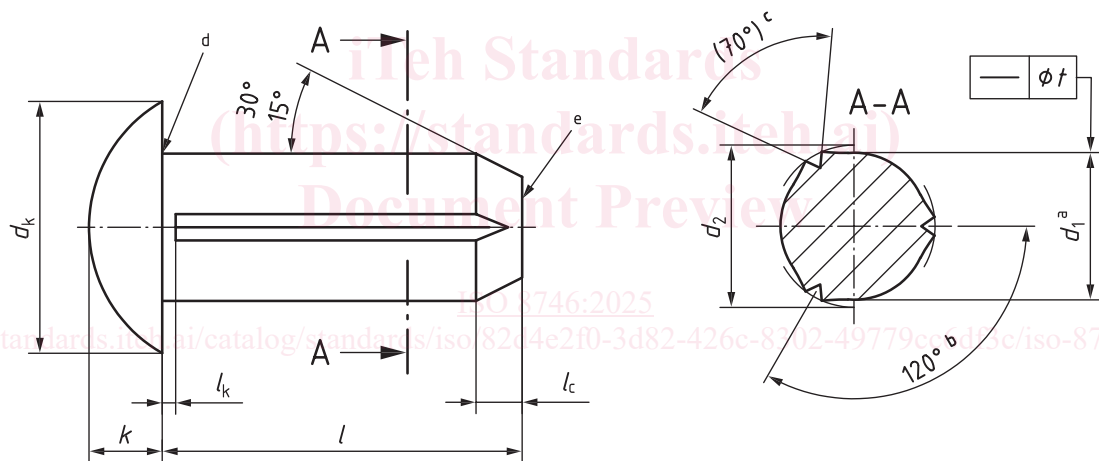
Dimensions shall be in accordance with [Figure 1](#) and with [Tables 1](#) and [2](#). The control of the expanded diameter  $d_2$  and pin straightness  $t$  shall be as specified in ISO 13669.

For coated pins, dimensions and tolerances shall apply prior to coating.

Unless otherwise agreed at the time of the order, the pins are manufactured with a pilot point.



a) Pin with pilot point (PL) and grooves closed end



b) Option: pin with chamfered point (CH) and grooves open end

- a The pin diameter  $d_1$  is only applicable in areas where grooves are not present.
- b The angle of  $120^\circ$  between two grooves shall apply with a tolerance of  $\pm 20^\circ$ .
- c The groove angle of  $70^\circ$  is a reference dimension, see ISO 13669.
- d No sharp underhead transition.
- e The surface of the end results from cutting process and remains “as cut”.

**Figure 1 — Grooved pins with round head**

The three grooves shall be closed at the pilot point.

The three grooves shall be open at the chamfered point.