

# DRAFT INTERNATIONAL STANDARD

## ISO/DIS 8639

ISO/TC 138/SC 6

Secretariat: ASI

Voting begins on:  
2022-07-21

Voting terminates on:  
2022-10-13

---

---

### Glass-reinforced thermosetting plastics (GRP) pipes and fittings — Test methods for leaktightness and proof of structural design of flexible joints

*Tubes et raccords en plastiques thermodurcissables renforcés de verre (PRV) — Méthodes d'essai pour l'étanchéité et preuve de conception structurelle de joint flexible*

ICS: 23.040.60

iTeh STANDARD PREVIEW  
(standards.iteh.ai)

ISO/PRF 8639

<https://standards.iteh.ai/catalog/standards/sist/c943dd62-178b-463f-969c-f16f26f1aac8/iso-prf-8639>

THIS DOCUMENT IS A DRAFT CIRCULATED FOR COMMENT AND APPROVAL. IT IS THEREFORE SUBJECT TO CHANGE AND MAY NOT BE REFERRED TO AS AN INTERNATIONAL STANDARD UNTIL PUBLISHED AS SUCH.

IN ADDITION TO THEIR EVALUATION AS BEING ACCEPTABLE FOR INDUSTRIAL, TECHNOLOGICAL, COMMERCIAL AND USER PURPOSES, DRAFT INTERNATIONAL STANDARDS MAY ON OCCASION HAVE TO BE CONSIDERED IN THE LIGHT OF THEIR POTENTIAL TO BECOME STANDARDS TO WHICH REFERENCE MAY BE MADE IN NATIONAL REGULATIONS.

RECIPIENTS OF THIS DRAFT ARE INVITED TO SUBMIT, WITH THEIR COMMENTS, NOTIFICATION OF ANY RELEVANT PATENT RIGHTS OF WHICH THEY ARE AWARE AND TO PROVIDE SUPPORTING DOCUMENTATION.

This document is circulated as received from the committee secretariat.



Reference number  
ISO/DIS 8639:2022(E)

© ISO 2022

# iTeh STANDARD PREVIEW (standards.iteh.ai)

ISO/PRF 8639

<https://standards.iteh.ai/catalog/standards/sist/c943dd62-178b-463f-969c-f16f26f1aac8/iso-prf-8639>



## **COPYRIGHT PROTECTED DOCUMENT**

© ISO 2022

All rights reserved. Unless otherwise specified, or required in the context of its implementation, no part of this publication may be reproduced or utilized otherwise in any form or by any means, electronic or mechanical, including photocopying, or posting on the internet or an intranet, without prior written permission. Permission can be requested from either ISO at the address below or ISO's member body in the country of the requester.

ISO copyright office  
CP 401 • Ch. de Blandonnet 8  
CH-1214 Vernier, Geneva  
Phone: +41 22 749 01 11  
Email: [copyright@iso.org](mailto:copyright@iso.org)  
Website: [www.iso.org](http://www.iso.org)

Published in Switzerland

# Contents

	Page
Foreword.....	iv
Introduction.....	v
<b>1 Scope.....</b>	<b>1</b>
<b>2 Normative references.....</b>	<b>1</b>
<b>3 Terms and definitions.....</b>	<b>1</b>
<b>4 Principle.....</b>	<b>2</b>
<b>5 Apparatus.....</b>	<b>2</b>
5.1 End-sealing devices.....	2
5.2 Supports and restraints.....	2
<b>6 Test pieces.....</b>	<b>5</b>
6.1 Assembly.....	5
6.2 Number.....	6
<b>7 Conditioning.....</b>	<b>6</b>
<b>8 Test temperature.....</b>	<b>6</b>
<b>9 Procedure.....</b>	<b>6</b>
9.1 General.....	6
9.2 Negative pressure.....	6
9.3 Simultaneous angular deflection and draw.....	7
9.4 Simultaneous draw and deformation.....	7
9.5 Cyclic pressure.....	8
9.6 Positive static pressure.....	8
<b>10 Test report.....</b>	<b>9</b>

<https://standards.iteh.ai/catalog/standards/sist/c943dd62-178b-463f-969c-f16f26f1aac8/iso-prf-8639>

## Foreword

ISO (the International Organization for Standardization) is a worldwide federation of national standards bodies (ISO member bodies). The work of preparing International Standards is normally carried out through ISO technical committees. Each member body interested in a subject for which a technical committee has been established has the right to be represented on that committee. International organizations, governmental and non-governmental, in liaison with ISO, also take part in the work. ISO collaborates closely with the International Electrotechnical Commission (IEC) on all matters of electrotechnical standardization.

The procedures used to develop this document and those intended for its further maintenance are described in the ISO/IEC Directives, Part 1. In particular, the different approval criteria needed for the different types of ISO documents should be noted. This document was drafted in accordance with the editorial rules of the ISO/IEC Directives, Part 2 (see [www.iso.org/directives](http://www.iso.org/directives)).

Attention is drawn to the possibility that some of the elements of this document may be the subject of patent rights. ISO shall not be held responsible for identifying any or all such patent rights. Details of any patent rights identified during the development of the document will be in the Introduction and/or on the ISO list of patent declarations received (see [www.iso.org/patents](http://www.iso.org/patents)).

Any trade name used in this document is information given for the convenience of users and does not constitute an endorsement.

For an explanation of the voluntary nature of standards, the meaning of ISO specific terms and expressions related to conformity assessment, as well as information about ISO's adherence to the World Trade Organization (WTO) principles in the Technical Barriers to Trade (TBT), see [www.iso.org/iso/foreword.html](http://www.iso.org/iso/foreword.html).

The committee responsible for this document is ISO/TC 138, *Plastics pipes, fittings and valves for the transport of fluids*, Subcommittee SC 6, *Reinforced plastics pipes and fittings for all applications*.

This third edition cancels and replaces the second edition (ISO 8636:2016), which has been technically revised.

The main changes compared to the previous edition are as follows:

- Introduction of [Clause 2](#) "Normative References" and renumbering of the further clauses.
- Change of heading of [Figure 1](#),
- Change of Key 7 of [Figure 2](#).

Any feedback or questions on this document should be directed to the user's national standards body. A complete listing of these bodies can be found at [www.iso.org/members.html](http://www.iso.org/members.html).

## Introduction

In a pipework system, pipes and fittings of different nominal pressures and stiffnesses may be used.

Any joint made between pipes and/or fittings should be designed such that its performance is equal to or better than the requirements of the pipeline, but not necessarily of the components being joined.

The requirements for assembly of the joint are not included in this document, but they should be in accordance with the manufacturer's recommendations.

The material-dependent parameters and/or performance requirements are stated in the referring specification.

iTeh STANDARD PREVIEW  
(standards.iteh.ai)

ISO/PRF 8639

<https://standards.iteh.ai/catalog/standards/sist/c943dd62-178b-463f-969c-f16f26f1aac8/iso-prf-8639>



# Glass-reinforced thermosetting plastics (GRP) pipes and fittings — Test methods for leaktightness and proof of structural design of flexible joints

## 1 Scope

This document specifies test methods for flexible non-thrust resistant socket-and-spigot joints with elastomeric sealing elements for buried and above ground glass-reinforced thermosetting plastics (GRP) pipeline applications. It covers methods of test for the leaktightness and resistance to damage of the joint only, when subject to specified combinations of longitudinal extension (draw), angular movement (angular deflection), compression (deformation) perpendicular to the pipe axis and internal pressure. This document is applicable to joints for either pressure or non-pressure applications.

**NOTE** The joints tested in accordance with this document are subjected to conditions which measure their ability to function and thereby prove the design of the joint, especially for type test purposes.

These test procedures are applicable to joints for pipes and fittings of all nominal sizes. The tests are suitable for the evaluation of joints intended for applications in which the liquids are conveyed at temperatures specified in the referring standards.

The test procedures in this document are damaging to the test piece which will not be suitable for reuse after these tests. The test procedure shall be applied for type testing purposes.

## 2 Normative references

There are no normative references in this document.

## 3 Terms and definitions

For the purposes of this document, the following terms and definitions apply.

### 3.1

#### **pressure**

hydrostatic gage pressure

### 3.2

#### **angular deflection**

angle between the axes of the joint and the consecutive pipe(s), expressed in degrees (°)

### 3.3

#### **draw**

longitudinal movement of the pipe relative to the socket (joint), expressed in millimetres (mm)

### 3.4

#### **total draw**

sum of the draw, and the additional longitudinal movement, of joint components due to the presence of angular deflection, expressed in millimetres (mm)

### 3.5

#### **deformation**

pipe deformation in the coupling as a result of a vertical force on the pipe and a supported coupling causing a step between the two pipe spigots at the loading position in millimetres (mm)

## 4 Principle

A test piece comprising two pieces of pipe joined together, by incorporation of a socket or inclusion of a double-socket coupler, is subjected to specified combinations of draw, angular deflection and deformation. In each specified combination the test piece is subjected to a series of test pressures for specified periods of time, including an internal sub-atmospheric test pressure.

In addition, a test at elevated positive static pressure is conducted to prove the structural design of the coupling.

When under pressure, the joint is monitored for leakage.

Between each test condition (see [Table 1](#)) the joint is inspected for signs of damage.

NOTE It is assumed that the following test parameters are set by the standard making reference to this document:

- the nominal size of the components to be connected by the joint (see [6.1](#));
- the pressure class of the components (see [6.1](#));
- the total effective length,  $L$ , of the test piece (see [6.1](#));
- the number of test pieces (see [6.2](#));
- if applicable, the conditioning to be applied (see [Clause 7](#));
- the test temperature (see [Clause 8](#));
- sequence of testing, if appropriate (see [9.1](#));
- the joint positions (see [Table 1](#));
- the draw, angular deflection (see [9.3](#)) and the force,  $F$  (see [9.4](#));
- the permissible change in negative pressure (see [9.2.3](#)).

## 5 Apparatus

### 5.1 End-sealing devices

End sealing devices, of sizes and type appropriate to the components under test, anchored to take the axial end thrust and permit free longitudinal movement.

### 5.2 Supports and restraints

**5.2.1** Longitudinal supports, capable of supporting the end thrust induced by the internal pressure but which shall not otherwise support the joint (see [Figure 1](#), [Figure 2](#) and [Figure 3](#)).

**5.2.2** Straps or cradles,  $(100 \pm 5)$  mm wide supporting up to an  $180^\circ$  arc of the pipe barrel or of the socket (see [Figure 3](#)).

The use is as follows:

- a) a strap, cradle or support, to support the socket on a fixed base, as required for deformation testing (see [9.4](#));
- b) a strap or cradle, positioned adjacent to the end of the joint being tested (see [Figure 3](#)), through which the force  $F$  necessary for deformation testing (see [9.4](#)) can be applied;

The straps or cradles shall not have a detrimental effect on the test piece, e.g. point loads.

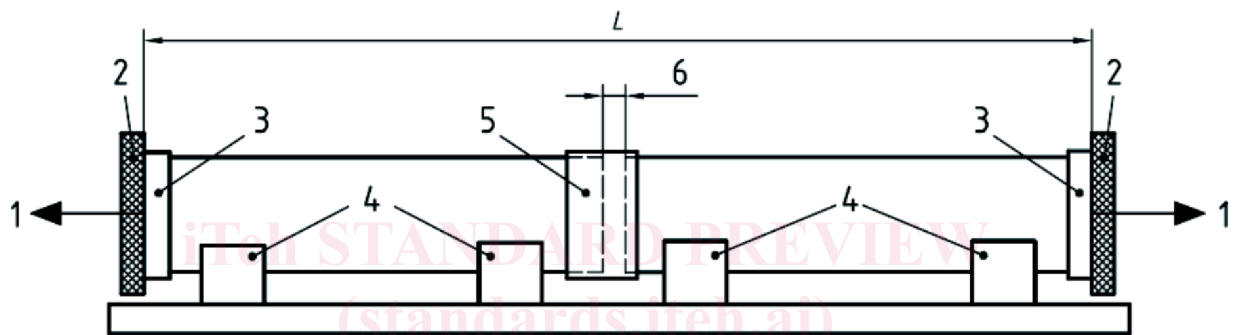


5.2.3 Pipe supports, capable of supporting an arc of approximately 120° of the pipe barrel (see [Figure 1](#), [2](#) and [3](#)) for use as follows:

- a) support *R*, positioned at least 500 mm from the spigot end of the pipe at the point of balance (see [Figure 3](#)) to provide support during testing with deformation;
- b) supports, for the pipe components of the test piece (see [6.1](#) and [Figure 1](#), [Figure 2](#) and [Figure 3](#)). These can be used to apply angular deflection (see [9.3](#) and [Figure 2](#)). They shall allow deformation to occur (see [9.4](#), [9.5](#), [9.6](#) and [Figure 3](#)).

5.2.4 Special supports, if necessary to prevent buckling of the pipe barrel of low stiffness pipe during negative pressure testing.

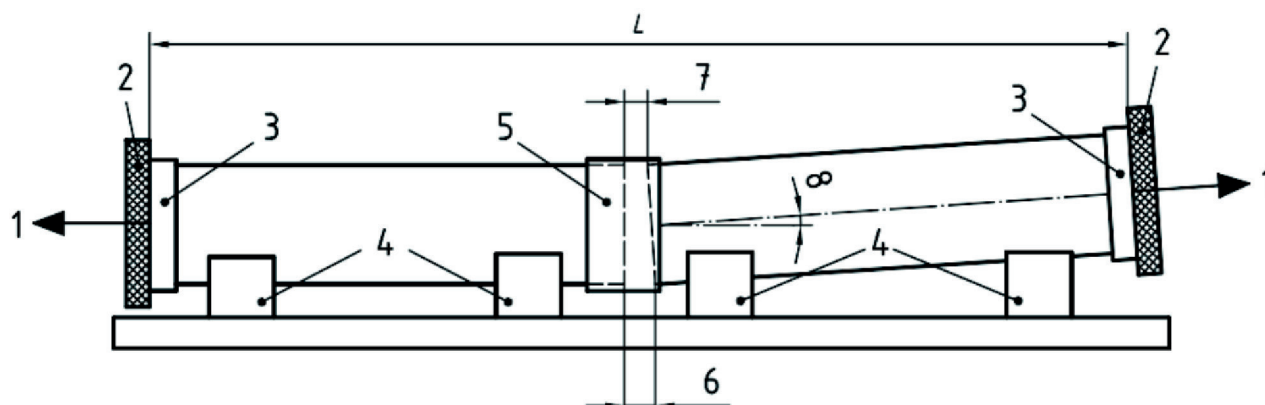
5.2.5 Special restraints, to provide support for the test assembly to prevent uncontrolled movements, particularly when testing at high pressures. Such supports shall be positioned in a manner so as to not influence the test being conducted and shall not induce point loads.



#### Key

- 1 thrust resisted by test rig
- 2 test rig
- 3 end cap or sealing device (e.g. joint)
- 4 supports
- 5 test joint
- 6 draw
- L* total effective length

Figure 1 — Test arrangement for draw



**Key**

- 1 thrust resisted by test rig
- 2 test rig
- 3 end cap or sealing device (e.g. joint)
- 4 supports
- 5 test joint
- 6 total draw
- 7 draw
- 8 angle
- $L$  total effective length

**NOTE** In order to prove that the angular deflection is between the centre lines of the pipe(s) and the coupling marks can be made on the pipes to check if there was a coupling rotation after the adjustment of the angular deflection.

ISO/PRF 8639

<https://standards.iteh.ai/catalog/standards/sist/c943dd62-178b-463f-969c-f16f26f1aac8/iso-prf-8639>

**Figure 2 — Test arrangement for angular deflection and draw**