



# Standard Test Method for Heat and Visible Smoke Release Rates for Materials and Products Using an Oxygen Consumption Calorimeter<sup>1</sup>

This standard is issued under the fixed designation E1354; the number immediately following the designation indicates the year of original adoption or, in the case of revision, the year of last revision. A number in parentheses indicates the year of last reapproval. A superscript epsilon ( $\epsilon$ ) indicates an editorial change since the last revision or reapproval.

## 1. Scope

1.1 This fire-test-response standard provides for measuring the response of materials exposed to controlled levels of radiant heating with or without an external ignitor.

1.2 This test method is used to determine the ignitability, heat release rates, mass loss rates, effective heat of combustion, and visible smoke development of materials and products.

1.3 The rate of heat release is determined by measurement of the oxygen consumption as determined by the oxygen concentration and the flow rate in the exhaust product stream. The effective heat of combustion is determined from a concomitant measurement of specimen mass loss rate, in combination with the heat release rate. Smoke development is measured by obscuration of light by the combustion product stream.

1.4 Specimens shall be exposed to initial test heat fluxes in the range of 0 to 100 kW/m<sup>2</sup>. External ignition, when used, shall be by electric spark. The value of the initial test heat flux and the use of external ignition are to be as specified in the relevant material or performance standard (see X1.2). The normal specimen testing orientation is horizontal, independent of whether the end-use application involves a horizontal or a vertical orientation. The apparatus also contains provisions for vertical orientation testing; this is used for exploratory or diagnostic studies only.

1.5 Ignitability is determined as a measurement of time from initial exposure to time of sustained flaming.

1.6 This test method has been developed for use for material and product evaluations, mathematical modeling, design purposes, or development and research. Examples of material specimens include portions of an end-use product or the various components used in the end-use product.

1.7 The values stated in SI units are to be regarded as standard. No other units of measurement are included in this standard.

1.8 *This standard is used to measure and describe the response of materials, products, or assemblies to heat and flame under controlled conditions, but does not by itself incorporate all factors required for fire hazard or fire risk assessment of the materials, products, or assemblies under actual fire conditions.*

1.9 *This standard does not purport to address all of the safety concerns, if any, associated with its use. It is the responsibility of the user of this standard to establish appropriate safety and health practices and determine the applicability of regulatory limitations prior to use. For specific hazard statements, see Section 7.*

1.10 *Fire testing is inherently hazardous. Adequate safeguards for personnel and property shall be employed in conducting these tests.*

## 2. Referenced Documents

2.1 *ASTM Standards:*<sup>2</sup>

[D5865 Test Method for Gross Calorific Value of Coal and Coke](#)

[E176 Terminology of Fire Standards](#)

[E177 Practice for Use of the Terms Precision and Bias in ASTM Test Methods](#)

[E603 Guide for Room Fire Experiments](#)

<sup>1</sup> This test method is under the jurisdiction of ASTM Committee E05 on Fire Standards and is the direct responsibility of Subcommittee E05.21 on Smoke and Combustion Products.

Current edition approved Oct. 15, 2011; April 1, 2013. Published November 2011; April 2013. Originally approved in 1990. Last previous edition approved in 2011 as E1354 – 11a; E1354 – 11b. DOI: 10.1520/E1354-11B; 10.1520/E1354-13.

<sup>2</sup> For referenced ASTM standards, visit the ASTM website, www.astm.org, or contact ASTM Customer Service at service@astm.org. For *Annual Book of ASTM Standards* volume information, refer to the standard's Document Summary page on the ASTM website.

[E662 Test Method for Specific Optical Density of Smoke Generated by Solid Materials](#)

[E691 Practice for Conducting an Interlaboratory Study to Determine the Precision of a Test Method](#)

[E906 Test Method for Heat and Visible Smoke Release Rates for Materials and Products Using a Thermopile Method](#)

2.2 *ISO Standards*:<sup>3</sup>

[ISO 5657-1986\(E\) Fire Tests—reaction to fire—ignitability of building materials](#)

[ISO 5725-2 \(1994\) Accuracy \(trueness and precision\) of measurement methods and results — Part 2: Basic method for the determination of repeatability and reproducibility of a standard measurement method](#)

### 3. Terminology

3.1 *Definitions*—For definitions of terms used in this test method, refer to Terminology [E176](#).

3.2 *Definitions of Terms Specific to This Standard*:

3.2.1 *effective heat of combustion, n*—the amount of heat generated per unit mass lost by a material, product or assembly, when exposed to specific fire test conditions (contrast *gross heat of combustion*).

---

<sup>3</sup> Available from American National Standards Institute (ANSI), 25 W. 43rd St., 4th Floor, New York, NY 10036, <http://www.ansi.org>.

3.2.1.1 *Discussion*—

The effective heat of combustion depends on the test method and is determined by dividing the measured heat release by the mass loss during a specified period of time under the specified test conditions. Typically, the specified fire test conditions are provided by the specifications of the fire test standard that cites effective heat of combustion as a quantity to be measured. For certain fire test conditions, involving very high heat and high oxygen concentrations under high pressure, the effective heat of combustion will approximate the gross heat of combustion. More often, the fire test conditions will represent or approximate certain real fire exposure conditions, and the effective heat of combustion is the appropriate measure. Typical units are kJ/g or MJ/kg.

3.2.2 *gross heat of combustion, n*—the maximum amount of heat per unit mass that theoretically can be released by the combustion of a material, product, or assembly; it can be determined experimentally and only under conditions of high pressure and in pure oxygen (contrast *effective heat of combustion*).

3.2.3 *heat flux, n*—heat transfer to a surface per unit area, per unit time (see also *initial test heat flux*).

3.2.3.1 *Discussion*—

The heat flux from an energy source, such as a radiant heater, can be measured at the initiation of a test (such as Test Method [E1354](#) or Test Method [E906](#)) and then reported as the incident heat flux, with the understanding that the burning of the test specimen can generate additional heat flux to the specimen surface. The heat flux can also be measured at any time during a fire test, for example as described in Guide [E603](#), on any surface, and with measurement devices responding to radiative and convective fluxes. Typical units are kW/m<sup>2</sup>, kJ/(s m<sup>2</sup>), W/cm<sup>2</sup>, or BTU/(s ft<sup>2</sup>).

3.2.4 *heat release rate, n*—the heat evolved from the specimen, per unit of time.

3.2.5 *ignitability, n*—the propensity to ignition, as measured by the time to sustained flaming, in seconds, at a specified heating flux.

3.2.6 *initial test heat flux, n*—the heat flux set on the test apparatus at the initiation of the test (see also *heat flux*).

3.2.6.1 *Discussion*—

The initial test heat flux is the heat flux value commonly used when describing or setting test conditions.

3.2.7 *net heat of combustion, n*—the oxygen bomb (see Test Method [D5865](#)) value for the heat of combustion, corrected for gaseous state of product water.

3.2.7.1 *Discussion*—

The net heat of combustion differs from the gross heat of combustion in that the former assesses the heat per unit mass generated from a combustion process that ends with water in the gaseous state while the latter ends with water in the liquid state.

3.2.8 *orientation, n*—the plane in which the exposed face of the specimen is located during testing, either vertical or horizontal facing up.

3.2.9 *oxygen consumption principle, n*—the expression of the relationship between the mass of oxygen consumed during combustion and the heat released.

3.2.10 *smoke obscuration, n*—reduction of light transmission by smoke, as measured by light attenuation.

3.2.11 *sustained flaming, n*—existence of flame on or over most of the specimen surface for periods of at least 4 s.

3.2.11.1 *Discussion*—

Flaming of less than 4 s duration is identified as flashing or transitory flaming.

3.3 *Symbols:*

$A_s$	= nominal specimen exposed surface area, 0.01 m <sup>2</sup> .
$C$	= calibration constant for oxygen consumption analysis, m <sup>1/2</sup> – kg <sup>1/2</sup> – K <sup>1/2</sup> .
$\Delta h_c$	= net heat of combustion, kJ/kg.
$\Delta h_{c,eff}$	= effective heat of combustion, kJ/kg.
$I$	= actual beam intensity.
$I_o$	= beam intensity with no smoke.
$k$	= smoke extinction coefficient, m <sup>-1</sup> .
$L$	= extinction beam path length, m.
$m$	= specimen mass, kg.
$m_f$	= final specimen mass, kg.
$m_i$	= initial specimen mass, kg.
$\dot{m}$	= specimen mass loss rate, kg/s.
$\Delta P$	= orifice meter pressure differential, Pa.
$q''_{tot}$	= total heat released, kJ/m <sup>2</sup> (Note that kJ ≡ kW·s).
$\dot{q}$	= heat release rate, kW.
$\dot{q}''$	= heat release rate per unit area, kW/m <sup>2</sup> .
$\dot{q}''_{max}$	= maximum heat release rate per unit area (kW/m <sup>2</sup> ).
$\dot{q}''_{180}$	= average heat release rate, per unit area, over the time period starting at $t_{ig}$ and ending 180 s later (kW/m <sup>2</sup> ).
$r$	= repeatability (the units are the same as for the variable being characterized).
$R$	= reproducibility (the units are the same as for the variable being characterized).
$r_o$	= stoichiometric oxygen/fuel mass ratio (–).
$s_r$	= sample-based standard deviation estimate for repeatability (same units as $r$ ).
$s_R$	= sample-based standard deviation estimate for reproducibility (same units as $R$ ).
$t$	= time, s.
$t_d$	= oxygen analyzer delay time, s.
$t_{ig}$	= time to sustained flaming (s).
$\rho$	= density (kg/m <sup>3</sup> ).
$\Delta t$	= sampling time interval, s.
$T_e$	= absolute temperature of gas at the orifice meter, K.
$V_e$	= volume exhaust flow rate, measured at the location of the laser photometer, m <sup>3</sup> /s.
$X_{O_2}$	= oxygen analyzer reading, mole fraction O <sub>2</sub> (–).
$X_{O_2,0}$	= initial value of oxygen analyzer reading (–).
$X_{O_2,1}$	= oxygen analyzer reading, before delay time correction (–).
$\sigma_f$	= specific extinction area, for smoke, m <sup>2</sup> /kg.
$\sigma_r$	= repeatability standard deviation (same units as $r$ ).
$\sigma_R$	= reproducibility standard deviation (same units as $R$ ).

## 4. Summary of Test Method

4.1 This test method is based on the observation (1)<sup>4</sup> that, generally, the net heat of combustion is directly related to the amount of oxygen required for combustion. The relationship is that approximately 13.1 × 10<sup>3</sup> kJ of heat are released per 1 kg of oxygen consumed. Specimens in the test are burned in ambient air conditions, while being subjected to a predetermined initial test heat flux, which can be set from 0 to 100 kW/m<sup>2</sup>. The test permits burning to occur either with or without spark ignition. The primary measurements are oxygen concentrations and exhaust gas flow rate. Additional measurements include the mass-loss rate of the specimen, the time to sustained flaming and smoke obscuration, or as required in the relevant material or performance standard.

## 5. Significance and Use

5.1 This test method is used primarily to determine the heat evolved in, or contributed to, a fire involving products of the test material. Also included is a determination of the effective heat of combustion, mass loss rate, the time to sustained flaming, and smoke production. These properties are determined on small size specimens that are representative of those in the intended end use.

<sup>4</sup> The boldface numbers in parentheses refer to the list of references at the end of this test method.

5.2 This test method is applicable to various categories of products and is not limited to representing a single fire scenario. Additional guidance for testing is given in X1.2.3 and X1.11.

5.3 This test method is not applicable to end-use products that do not have planar, or nearly planar, external surfaces.

**6. Apparatus**

6.1 *General:*

6.1.1 All dimensions given in the figures that are followed by an asterisk are mandatory, and shall be followed within nominal tolerances of ±1 mm, unless otherwise specified. Particularly critical dimensions are followed by an asterisk in Figs. 1-12.

6.1.2 The test apparatus<sup>5</sup> shall consist essentially of the following components: a conical radiant electric heater, capable of horizontal or vertical orientation; specimen holders, different for the two orientations; an exhaust gas system with oxygen monitoring and flow measuring instrumentation; an electric ignition spark plug; a data collection and analysis system; and a load cell for measuring specimen mass loss. A general view of the apparatus is shown in Fig. 1; a cross section through the heater in Fig. 2; and exploded views of horizontal and vertical orientations in Fig. 3 and Fig. 4.

6.1.3 Additional details describing features and operation of the test apparatus are given in Ref (2).

6.2 *Conical Heater:*

6.2.1 The active element of the heater shall consist of an electrical heater rod, rated at 5000 W at 240 V, tightly wound into the shape of a truncated cone (Fig. 2 and Fig. 4). The heater shall be encased on the outside with a double-wall stainless steel cone, packed with a refractory fiber material of approximately 100 kg/m<sup>3</sup> density.

6.2.2 The heater shall be hinged so it can be swung into either a horizontal or a vertical orientation. The heater shall be capable of producing irradiances on the surface of the specimen of up to 100 kW/m<sup>2</sup>. The irradiance shall be uniform within the central 50 by 50-mm area of the specimen to within ±2 % in the horizontal orientation and to within ±10 % in the vertical orientation. As the geometry of the heater is critical, the dimensions on Fig. 2 are mandatory.

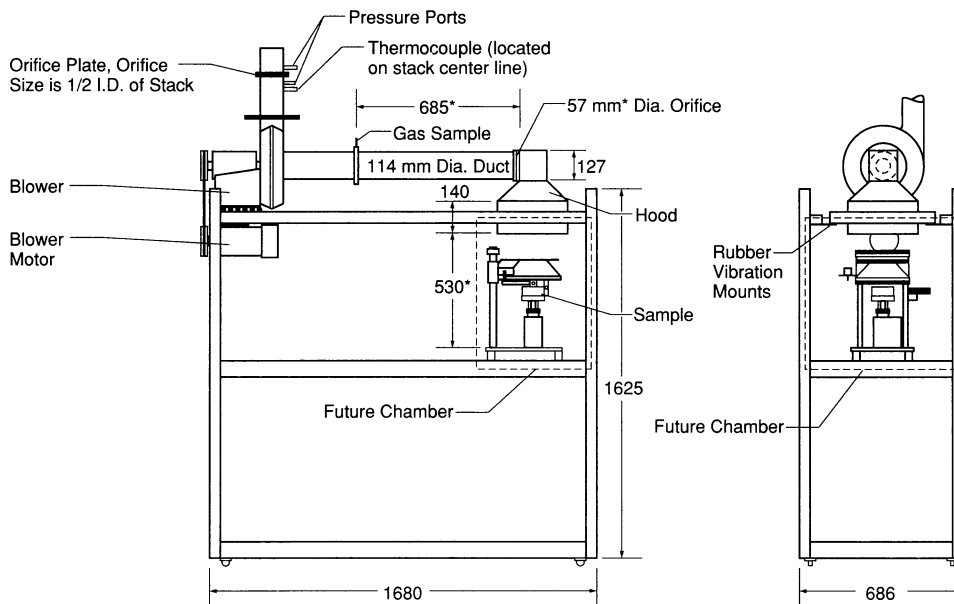
6.2.3 The irradiance from the heater shall be capable of being held at a preset level by means of a temperature controller and three type K stainless steel sheathed thermocouples, symmetrically disposed and in contact with, but not welded to, the heater element (see Fig. 2). The thermocouples shall be of equal length and wired in parallel to the temperature controller. The standard thermocouples are sheathed, 1.5 and 1.6 mm outside diameter, with an unexposed hot junction. Alternatively, either 3 mm outside diameter sheathed thermocouples with an exposed hot junction or 1 mm outside diameter sheathed thermocouples with unexposed hot junction can be used.

6.3 *Temperature Controller:*

(https://standards.kenia.go.ke/ASTM/E1354-13)  
Document Preview

ASTM E1354-13

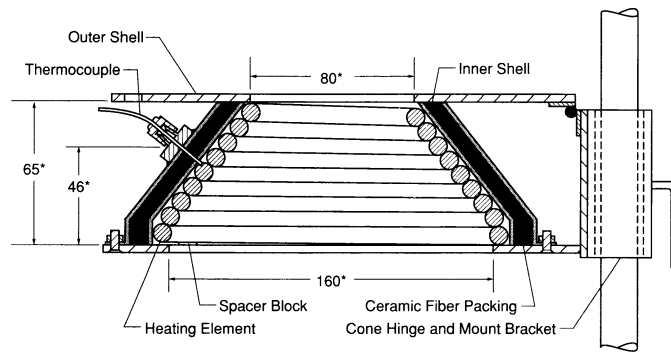
<sup>5</sup> A list of suppliers of this apparatus is available from ASTM Headquarters. [13d7f-207c-4bd1-ae68-f3cb0e2da377/astm-e1354-13](https://standards.kenia.go.ke/ASTM/E1354-13)



NOTE 1—All dimensions are in millimetres.

NOTE 2—\* Indicates a critical dimension.

FIG. 1 Overall View of Apparatus



NOTE 1—All dimensions are in millimetres.  
NOTE 2—\* Indicates a critical dimension.

FIG. 2 Cross-Section View Through the Heater

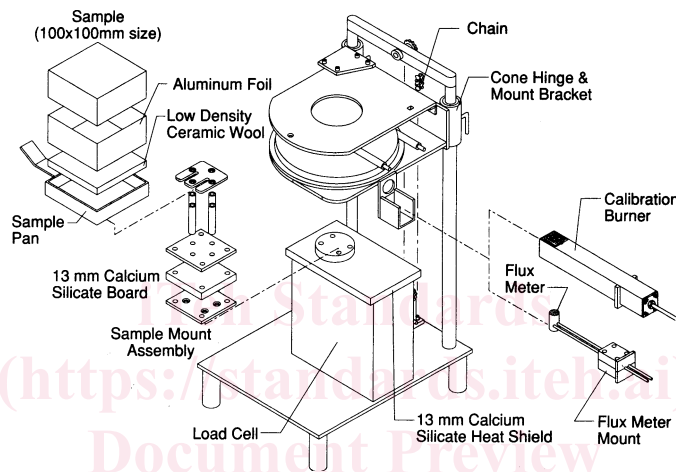


FIG. 3 Exploded View, Horizontal Orientation

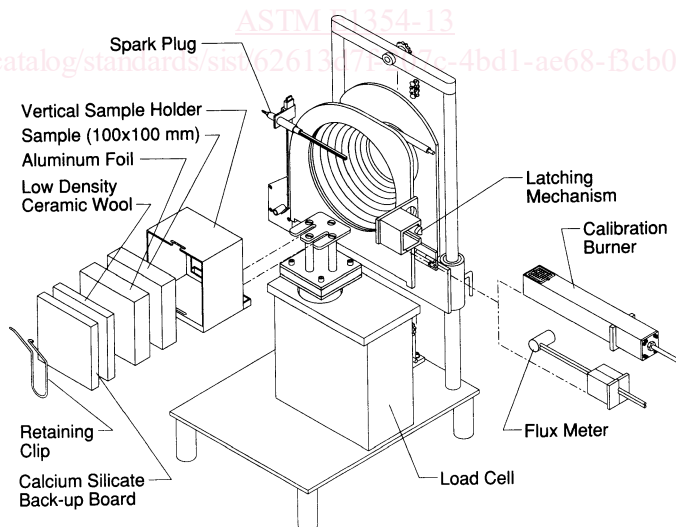
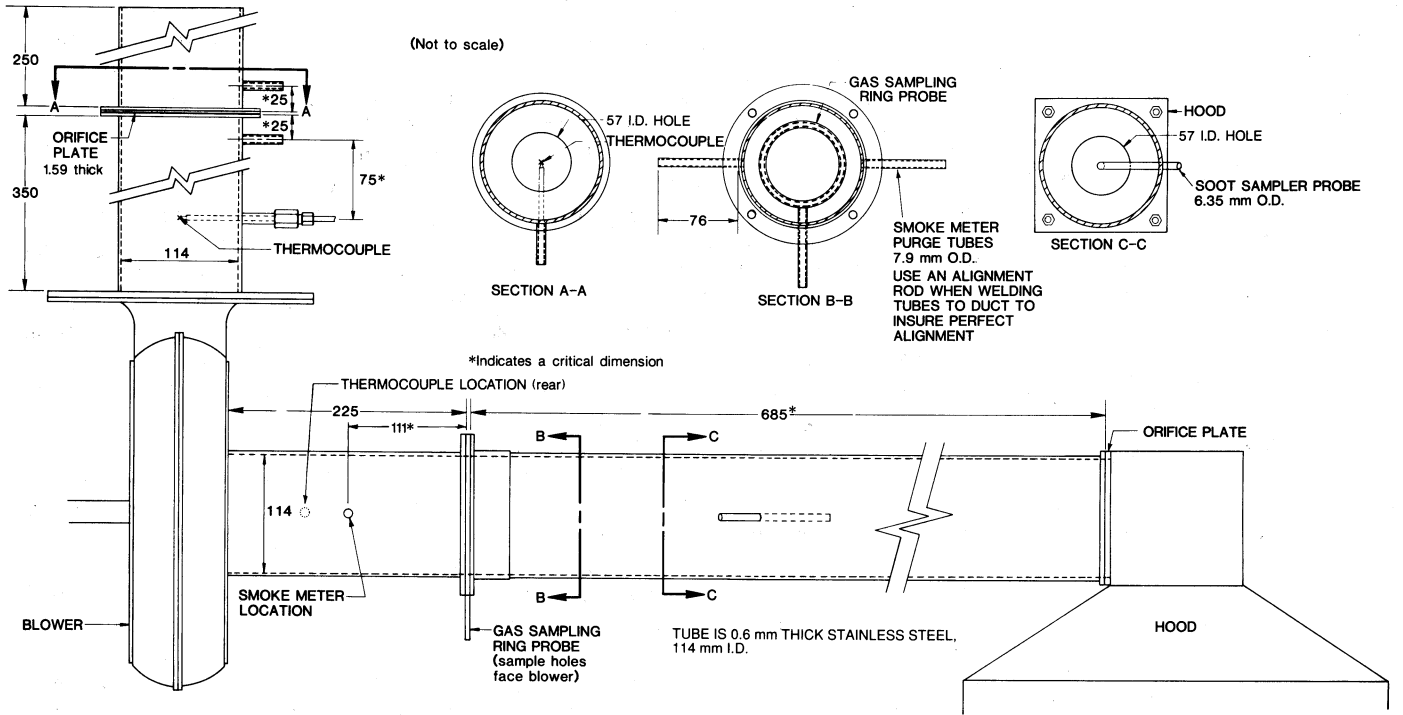


FIG. 4 Exploded View, Vertical Orientation

6.3.1 The temperature controller for the heater shall be capable of holding the element temperature steady to within  $\pm 2^\circ\text{C}$ . A suitable system is a 3-term controller (proportional, integral, and derivative) and a thyristor unit capable of switching currents up to 25 A at 240 V.

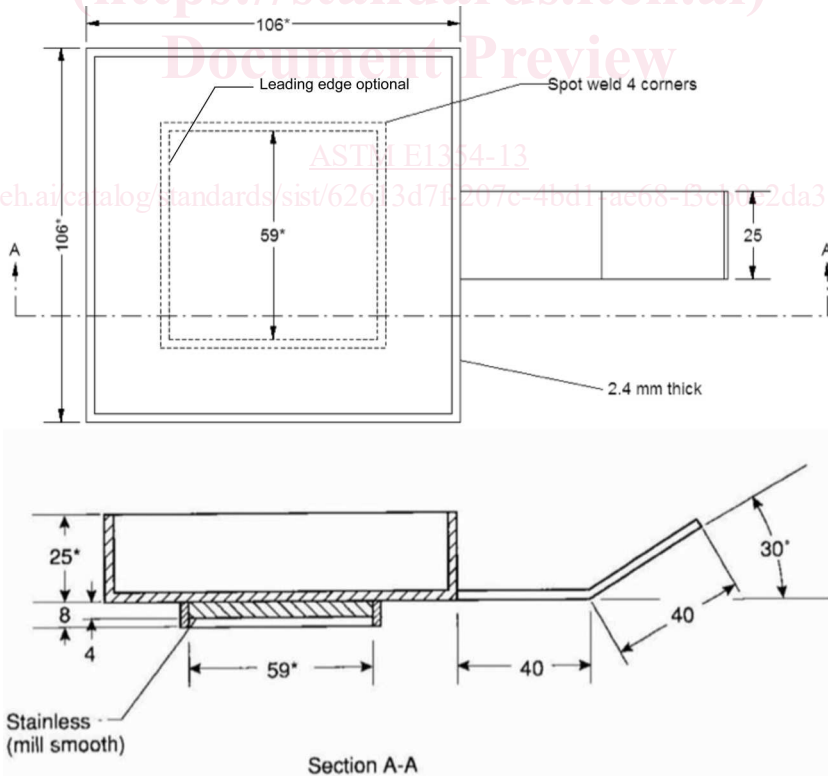
6.3.2 The controller shall have a temperature input range of 0 to  $1000^\circ\text{C}$ ; a set scale capable of being read to  $2^\circ\text{C}$  or better; and automatic cold junction compensation. The controller shall be equipped with a safety feature such that in the event of an open circuit in the thermocouple line, it will cause the temperature to fall to near the bottom of its range.



NOTE—All dimensions are in millimetres (not to scale).

NOTE 1—All dimensions are in millimetres (not to scale).

FIG. 5 Exhaust System

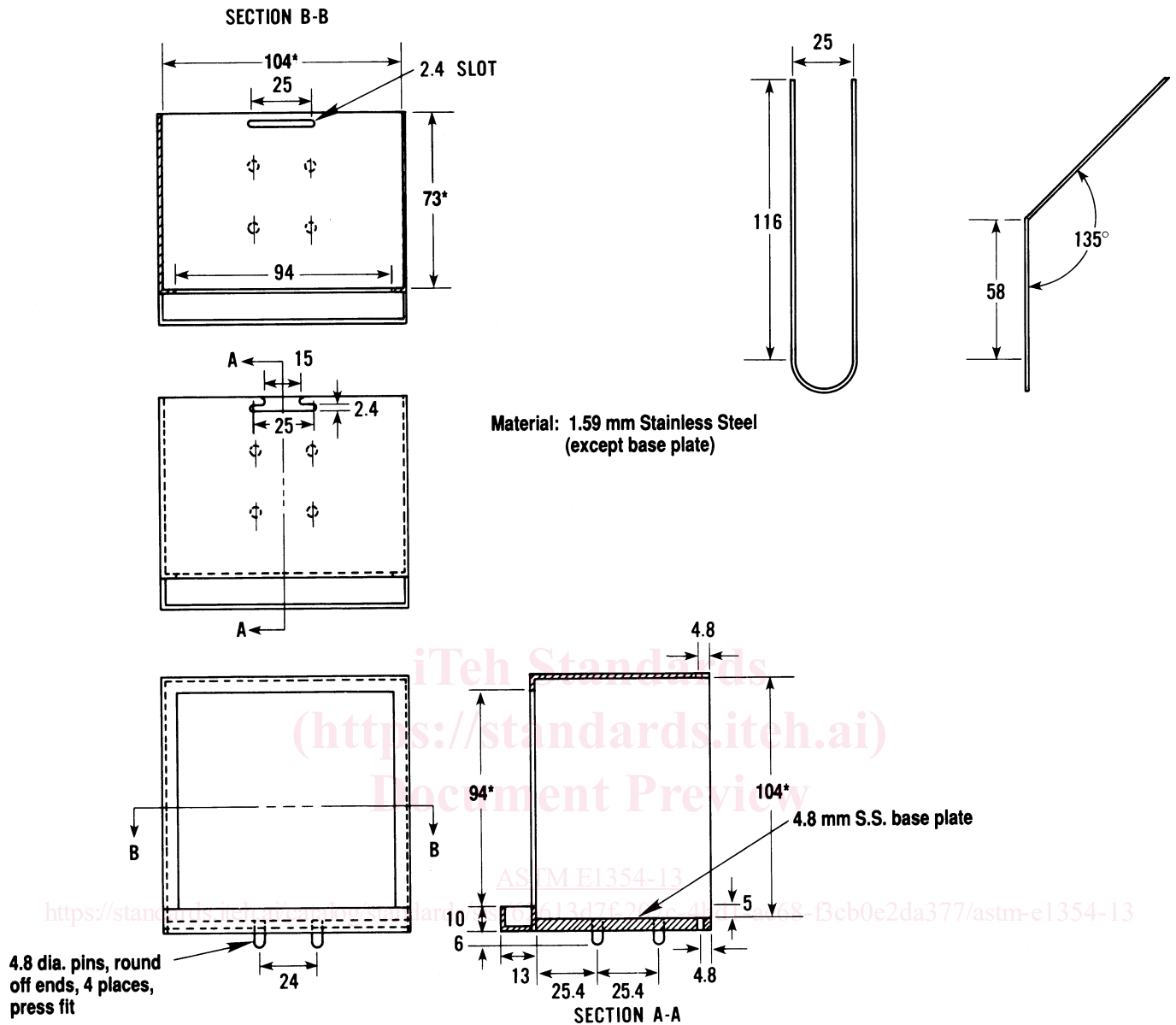


NOTE 1—All dimensions are in millimetres.

NOTE 2—\* Indicates a critical dimension.

FIG. 6 Horizontal Specimen Holder

6.3.3 The thyristor unit shall be of the zero crossing and not of the phase angle type.



NOTE 1—All dimensions are in millimetres except where noted.  
NOTE 2—\* Indicates a critical dimension.

FIG. 7 Vertical Specimen Holder

6.3.4 The heater temperature shall be monitored by a meter capable of being read to  $\pm 2^\circ\text{C}$ , or better. It shall be permitted to be incorporated into the temperature controller.

6.4 Exhaust System:

6.4.1 The exhaust-gas system shall consist of a high temperature centrifugal exhaust fan, a hood, intake and exhaust ducts for the fan, and an orifice plate flowmeter (Fig. 5). The exhaust system shall be capable of developing flows from 0.012 to 0.035 m<sup>3</sup>/s.

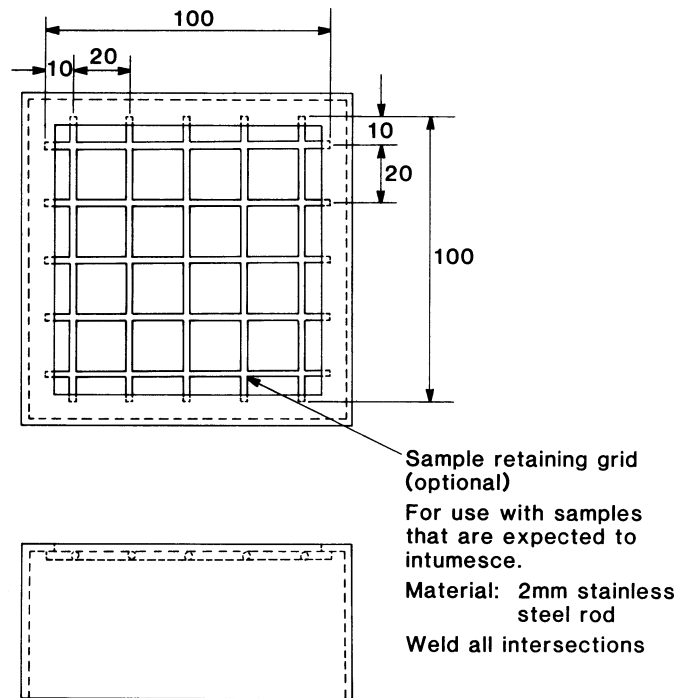
6.4.2 A restrictive orifice (57 mm inside diameter) shall be located between the hood and the duct to promote mixing.

6.4.3 A ring sampler shall be located in the fan intake duct for gas sampling, 685 mm from the hood (Fig. 1). The ring sampler shall contain twelve holes to average the stream composition with the holes facing away from the flow to avoid soot clogging.

6.4.4 The temperature of the gas stream shall be measured using a 1.0 to 1.6 mm outside diameter sheathed-junction thermocouple or a 3 mm outside diameter exposed junction thermocouple positioned in the exhaust stack on the centerline and 100 mm upstream from the measuring orifice plate.

6.4.5 The flow rate shall be determined by measuring the differential pressure across a sharp-edged orifice (57 mm inside diameter) in the exhaust stack, at least 350 mm downstream from the fan when the latter is located as shown in Fig. 5.

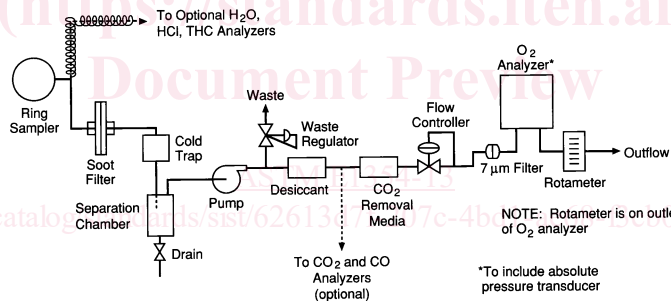
6.4.6 In other details, the geometry of the exhaust system is not critical. Where necessary, small deviations from the recommended dimensions given in Fig. 5 shall be permitted to be made. The inner diameter of the duct and the orifice plates is



Material: Stainless steel, 1.9 mm thick

NOTE 1—All dimensions are in millimetres.

FIG. 8 Optional Wire Grid (For Horizontal or Vertical Orientation)



NOTE 1—Rotameter is on outlet of the oxygen (O<sub>2</sub>) analyzer.

FIG. 9 Gas Analyzer Instrumentation

not a critical dimension. Also the fan does not need to be at the exact location as indicated on Fig. 5, but shall be permitted to be further downstream, allowing for a more common type of fan to be used. In this case, sufficient undisturbed inflow distances to the gas sampling probe and the measuring orifice shall be provided for the flow to be uniformly mixed.

6.5 Load Cell—The general arrangement of the specimen holders on the load cell is indicated in Fig. 3 and Fig. 4. The load cell shall have an accuracy of 0.1 g, and shall have a total weighing range of at least 3.5 kg of which at least 500 g shall be available for direct monitoring during any single test.

6.6 Specimen Mounting:

6.6.1 The horizontal specimen holder is shown in Fig. 6. The bottom shall be constructed of 2.4 mm nominal stainless steel and it shall have outside dimensions of 106 mm by 106 mm by a 25 mm height (tolerance in dimensions: ±2 mm).

6.6.1.1 An open stainless steel square, 59 mm in inside dimensions, shall be spot welded to the underside of the horizontal specimen holder, to facilitate the centering of the specimen under the cone heater. The leading edge of the open square underneath the specimen holder, which is the one opposite the handle, is optional. The open square on the bottom of the specimen holder shall be designed to seat with the sample mount assembly located at the top of the load cell ensuring that the specimen holder is centered with respect to the cone heater.

6.6.2 The bottom of the horizontal specimen holder shall be lined with a layer of low density (nominal density 65 kg/m<sup>3</sup>) refractory fiber blanket with a thickness of at least 13 mm. The distance between the bottom surface of the cone heater and the



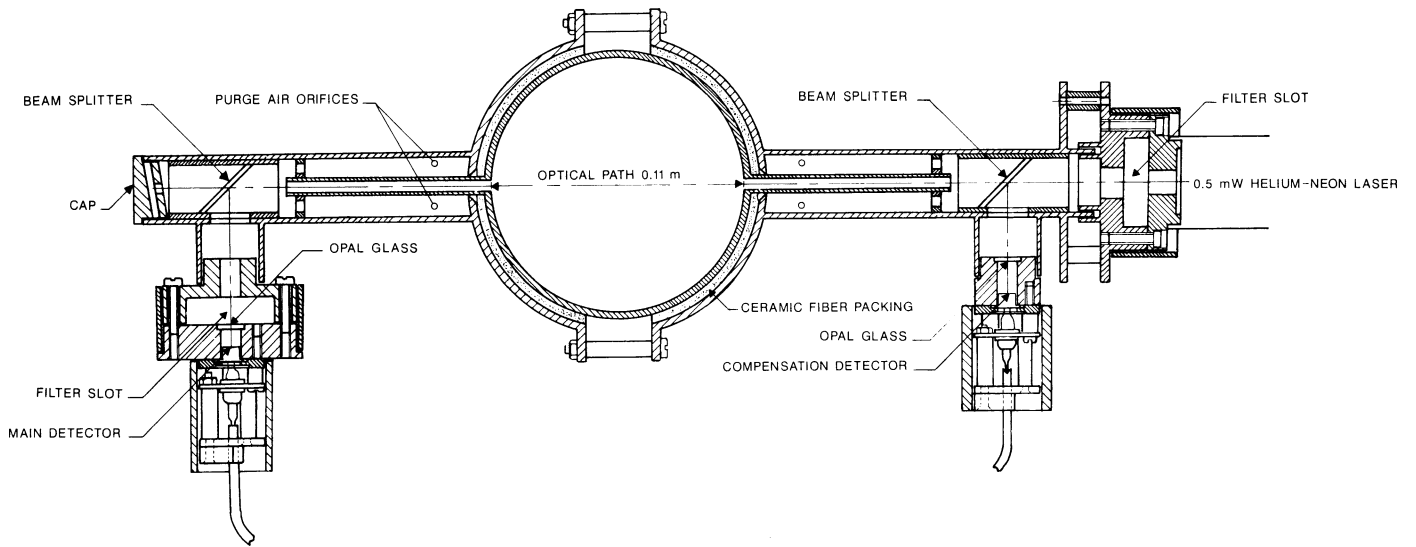
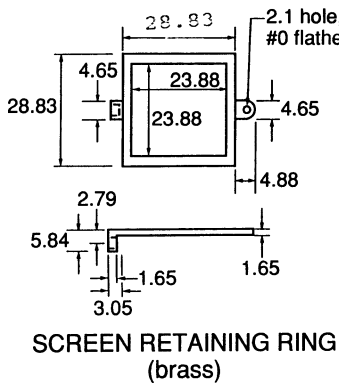
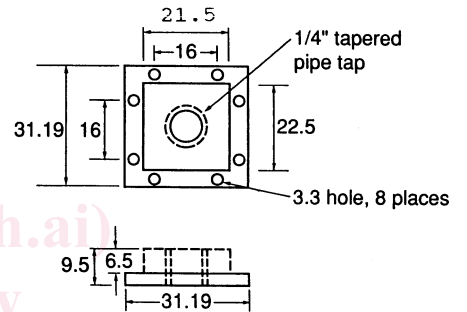


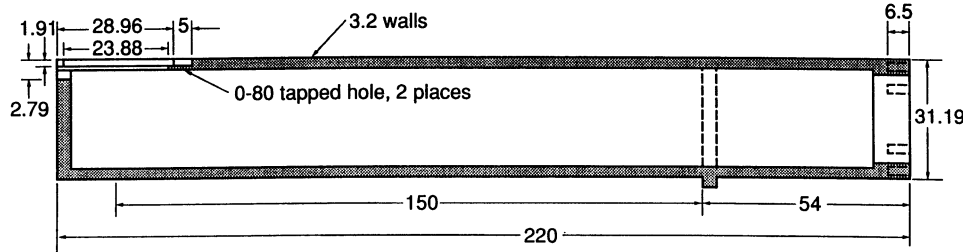
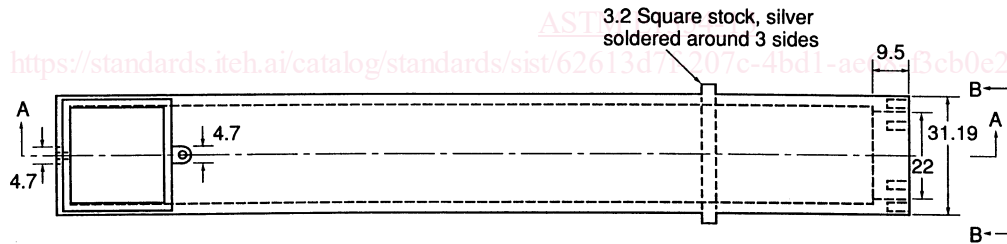
FIG. 10 Smoke Obscuration Measuring System



SCREEN RETAINING RING (brass)

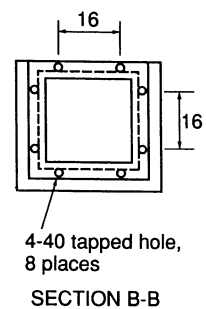


END CAP (brass)



BURNER MAIN BODY (brass)

Pack burner with ceramic fiber batting



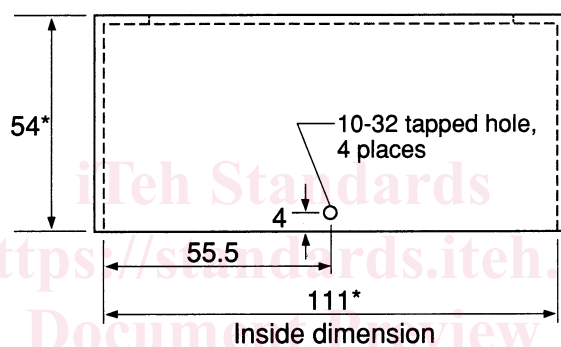
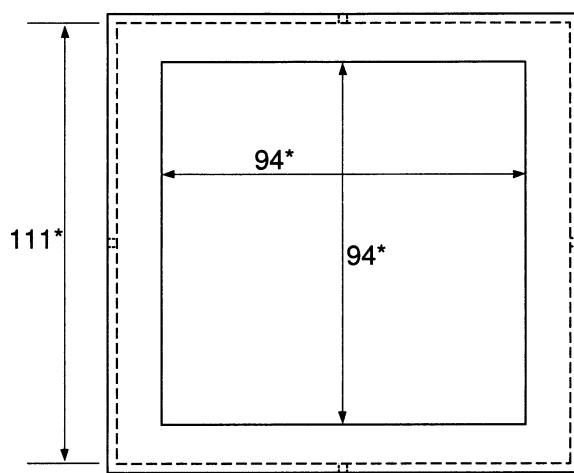
SECTION B-B

SECTION A-A

NOTE 1—All dimensions are in millimetres except where noted.

FIG. 11 Calibration Burner

top of the specimen shall be adjusted to be 25 mm except as indicated in 6.6.2.1. For mechanisms constructed according to the drawing in Fig. 2, this is accomplished by using the sliding cone height adjustment.



(stainless steel, 1.9 mm thick)

NOTE 1—All dimensions are in millimetres.

NOTE 2—\* Indicates a critical dimension.

FIG. 12 Optional Retainer Frame for Horizontal Orientation Testing

6.6.2.1 Materials that intumesce or deform to such an extent that they make physical contact with either (a) the spark plug before ignition or (b) the underside of the cone heater after ignition shall be tested by adjusting the distance between the bottom surface of the cone heater and the top of the specimen to 60 mm, or as described in 6.6.4.

6.6.2.2 If a test is conducted in accordance with the specimen mounting in 6.6.2.1 (a 60 mm distance), the heat flux calibration shall be performed with the heat flux meter positioned 60 mm below the cone heater base plate (see 10.1.1 and 10.1.2).

6.6.2.3 If a test has been conducted with a distance of 25 mm and the type of physical contact described in 6.6.2.1 has occurred, that test shall be deemed invalid and additional testing shall be conducted in accordance with 6.6.2.1.

6.6.3 The vertical specimen holder is shown in Fig. 7 and includes a small drip tray to contain a limited amount of molten material. A specimen shall be installed in the vertical specimen holder by backing it with a layer of refractory fiber blanket (nominal density 65 kg/m<sup>3</sup>), the thickness of which depends on specimen thickness, but shall be at least 13 mm thick. A layer of rigid, ceramic fiber millboard shall be placed behind the fiber blanket layer. The millboard thickness shall be such that the entire assembly is rigidly bound together once the retaining spring clip is inserted behind the millboard. In the vertical orientation, the cone heater height is set so the center lines up with the specimen center.

6.6.4 *Intumescent Materials*—The testing technique to be used when testing intumescent specimens in the horizontal orientation shall be documented in the test report. Options include those shown in 6.6.4.1 through 6.6.4.4.

6.6.4.1 Use a retainer frame or edge frame (Fig. 12) in the horizontal orientation.

NOTE 1—The edge frame is used to reduce unrepresentative edge burning of specimens.

6.6.4.2 Use a wire grid (Fig. 8), whether testing is conducted in the horizontal or in the vertical orientations.

NOTE 2—The wire grid is used for retaining specimens prone to delamination and is suitable for several types of intumescent specimens.