

INTERNATIONAL  
STANDARD

**ISO**  
**3228**

Third edition  
1993-09-01

---

---

**Rolling bearings — Cast and pressed  
 housings for insert bearings**

**iTeh STANDARD PREVIEW**  
*Roulements — Logements coulés et emboutis pour roulements "insert"*  
**(standards.iteh.ai)**

[ISO 3228:1993](#)

<https://standards.iteh.ai/catalog/standards/sist/ba76f9ad-b900-4ef5-afb7-98dd0f39e4e9/iso-3228-1993>



Reference number  
ISO 3228:1993(E)

## Foreword

ISO (the International Organization for Standardization) is a worldwide federation of national standards bodies (ISO member bodies). The work of preparing International Standards is normally carried out through ISO technical committees. Each member body interested in a subject for which a technical committee has been established has the right to be represented on that committee. International organizations, governmental and non-governmental, in liaison with ISO, also take part in the work. ISO collaborates closely with the International Electrotechnical Commission (IEC) on all matters of electrotechnical standardization.

Draft International Standards adopted by the technical committees are circulated to the member bodies for voting. Publication as an International Standard requires approval by at least 75 % of the member bodies casting a vote.

International Standard ISO 3228 was prepared by Technical Committee ISO/TC 4, *Rolling bearings*, Sub-Committee SC 6, *Insert bearings and accessories*.

This third edition cancels and replaces the second edition (ISO 3228:1977), which has been technically revised.

ITEH STANDARD PREVIEW  
(standards.iteh.ai)  
<https://standards.iteh.ai/catalog/standards/sist/ba76f9ad-b900-4ef5-afb7-08dd459e4e9/iso-3228-1993>

# Rolling bearings — Cast and pressed housings for insert bearings

## 1 Scope

This International Standard specifies boundary dimensions and tolerances for cast and pressed housings for insert bearings for which boundary dimensions are given in ISO 9628.

It applies to plummer block housings, flanged housings and take-up housings.

The inclusion of relubrication features is optional, but when provided they should intersect the zone specified in ISO 9628 in such a way that lubricant will satisfactorily feed from the housing through this zone. The exact design of the relubrication features is not otherwise covered by this International Standard.

## 2 Normative references

The following standards contain provisions which, through reference in this text, constitute provisions of this International Standard. At the time of publication, the editions indicated were valid. All standards are subject to revision, and parties to agreements based on this International Standard are encouraged to investigate the possibility of applying the most recent editions of the standards indicated below. Members of IEC and ISO maintain registers of currently valid International Standards.

ISO 5593:1984, *Rolling bearings — Vocabulary*.

ISO 9628:1992, *Rolling bearings — Insert bearings and eccentric locking collars*.

## 3 Definitions

For the purposes of this International Standard, the definitions given in ISO 5593 apply.

## 4 Symbols

NOTE 1 The symbols (except those for tolerances) shown in the figures and given in the tables denote nominal dimensions unless otherwise specified.

### 4.1 Cast plummer block housings (see figure 1)

$A$	width of base
$D_a$	spherical seating diameter of housing
$H$	distance from mounting base to centreline of spherical seating diameter
$H_1$	height of feet
$J$	centre distance between bolt holes
$L$	length of base
$N$	width of bolt hole
$N_1$	length of bolt hole

### 4.2 Cast flanged housings, square (see figure 2)

$A$	width (overall)
$A_1$	width of flange
$A_2$	distance from mounting face to centreline of spherical seating diameter
$D_a$	spherical seating diameter of housing
$J$	centre distance between bolt holes
$L$	length
$N$	diameter of bolt hole

**4.3 Cast flanged housings, oval** (see figure 3)

<i>A</i>	width (overall)
<i>A</i> <sub>1</sub>	width of flange
<i>A</i> <sub>2</sub>	distance from mounting face to centreline of spherical seating diameter
<i>D</i> <sub>a</sub>	spherical seating diameter of housing
<i>H</i>	height of flange
<i>J</i>	centre distance between bolt holes
<i>L</i>	length (overall)
<i>N</i>	diameter of bolt hole

**4.4 Pressed plumber block housings** (see figure 4)

<i>A</i>	width of base
<i>D</i> <sub>a</sub>	spherical seating diameter of housing
<i>H</i>	distance from mounting base to centreline of spherical seating diameter
<i>H</i> <sub>1</sub>	height of feet
<i>J</i>	centre distance between bolt holes
<i>L</i>	length of base
<i>N</i>	diameter of bolt hole

**4.5 Pressed flanged housings, round, triangular and oval** (see figure 5)

<i>A</i>	width (overall)
<i>A</i> <sub>1</sub>	width of flange
<i>D</i> <sub>a</sub>	spherical seating diameter of housing
<i>H</i>	height (round, triangular, oval)
<i>H</i> <sub>1</sub>	distance from straight edge to centreline of spherical seating diameter

<i>H</i> <sub>2</sub>	limit diameter of flat surface
<i>J</i>	pitch circle diameter of bolt holes (round and triangular); centre distance between bolt holes (oval)
<i>L</i>	length of flange (oval)
<i>N</i>	side of bolt hole (square)

**4.6 Cast take-up housings** (see figure 6)

<i>A</i>	width (attachment end)
<i>A</i> <sub>1</sub>	width of location slot
<i>A</i> <sub>2</sub>	width over location-slot flanges
<i>D</i> <sub>a</sub>	spherical seating diameter of housing
<i>H</i>	height (overall)
<i>H</i> <sub>1</sub>	distance between bottoms of location slots
<i>H</i> <sub>2</sub>	height (attachment end)
<i>L</i>	length (overall)
<i>L</i> <sub>1</sub>	distance from attachment end face to centreline of spherical seating diameter
<i>L</i> <sub>2</sub>	length (attachment end)
<i>L</i> <sub>3</sub>	length of location slot
<i>N</i>	diameter of attachment hole
<i>N</i> <sub>1</sub>	length of attachment slot
<i>N</i> <sub>2</sub>	height of attachment slot

**5 Boundary dimensions and tolerances**

NOTE 2 Where the subscript "max" is shown in tables 1 to 6, this indicates that the value is both the nominal and the largest actual value permitted. Where the subscript "min" is shown in tables 1 to 6, this indicates that the value is both the nominal and the smallest actual value permitted.

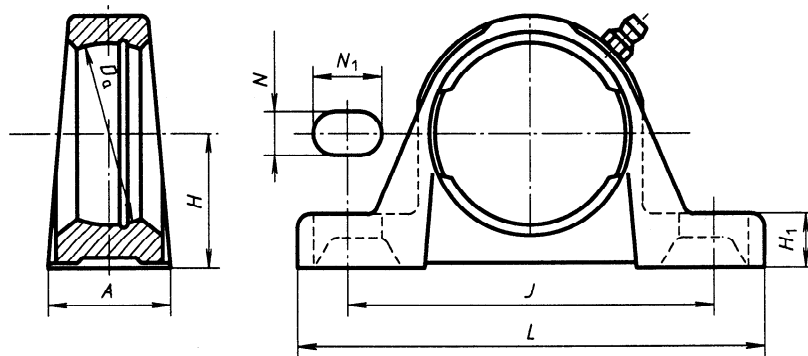


Figure 1 — Cast plummer block housings

Table 1 — Cast plummer block housings

Dimensions in millimetres

$D_a$	$L_{max}$	$A_{max}$	$J$	$H$ $\pm IT12$	$H_1$ max	$N_{min}$	$N_{max}$	$N_1$ min
40	129	39	96	30,2	17	10,5	12,43	16
47	134	39	96	33,3	17	10,5	12,43	16
52	142	39	105	36,5	17	10,5	12,43	16
62	167	48	121	42,9	20	13	14,93	19
72	172	48	126	47,6	20	13	14,93	19
80	186	55	136	49,2	20	13	14,93	19
85	192	55	146	54	22	13	14,93	19
90	208	61	159	57,2	23	17	19,02	20,5
100	233	61	172	63,5	25	17	19,02	20,5
110	243	71	186	69,9	27	17	19,02	22
120	268	73	203	76,2	34	21	24,52	24
125	274	74	210	79,4	34	21	24,52	24
130	300	83	217	82,6	35	21	24,52	24
140	305	84	232	88,9	38	21	24,52	24
150	330	95	247	95,2	41	21	24,52	24
160	356	100	262	101,6	44	25	28,52	34
180	390	111	308	115	46	25	28,52	34

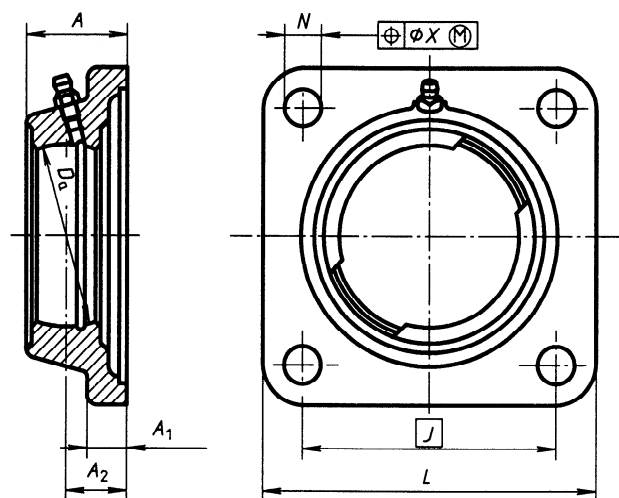
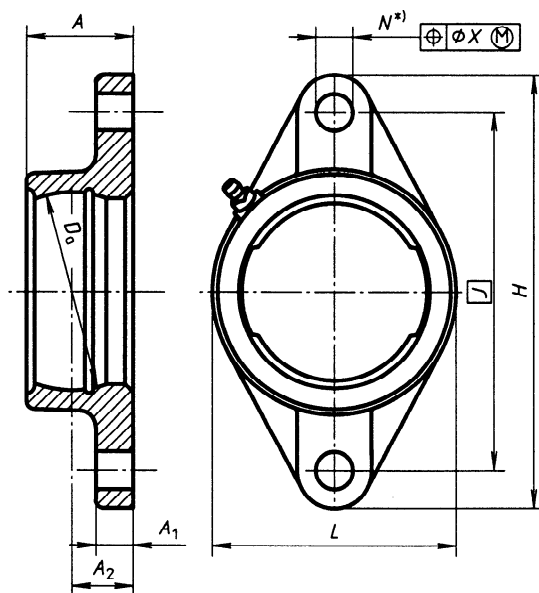


Figure 2 — Cast flanged housings (square)

Table 2 — Cast flanged housings (square)

Dimensions in millimetres

$D_a$	$L_{max}$	$A_{max}$	$A_{1max}$	$A_{2max}$ $\pm IT14$	$N_{min}$	$N_{max}$	$X$	
40	78	32	54	13	17	10,5	12,43	0,6
47	88	34	63,5	15	19	10,5	12,43	0,6
52	97	35	70	15	19	11,5	12,43	0,6
62	110	38	82,5	16	20	11,5	12,43	0,6
72	119	38	92	17	21	13	14,93	0,8
80	132	43	101,5	17	24	13	14,93	0,8
85	139	45	105	18	24	13	16,93	0,8
90	145	48	111	20	28	17	19,02	0,8
100	164	51	130	21	31	17	19,02	0,8
110	177	60	143	21	34	17	19,02	0,8
120	189	52	149,5	24	34	17	19,02	0,8
125	195	57	152	24	35	17	19,93	0,8
130	202	58	159	24	35	17	24,52	0,8
140	213	65	165	24	35	21	24,52	0,8
150	222	75	175	26	36	21	24,52	0,8
160	240	75	187	27	42	21	24,52	0,8
180	270	80	210	29	44	25	28,52	0,8



\*) The holes may alternatively be square with sides equal to  $N$ .

**Figure 3 — Cast flanged housings (oval)**  
 (standards.iteh.ai)

ISO 3228:1993

<https://standards.iteh.ai/catalog/standards/sist/ba76f9ad-b900-4ef5-afb7-88440222e160>

**Table 3 — Cast flanged housings (oval)**

Dimensions in millimetres

$D_a$	$H_{max}$	$L_{max}$	$A_{max}$	$J$	$A_{1\ max}$	$A_2$ $\pm IT14$	$N_{min}$	$N_{max}$	$X$
40	99	61	32	76,5	13	17	10,5	12,43	0,6
47	113	62	34	90	15	19	10,5	12,43	0,6
52	125	70	35	99	15	19	11,5	12,43	0,6
62	142	83	38	116,5	16	20	11,5	12,43	0,6
72	156	96	38	130	17	21	13	14,93	0,8
80	172	105	43	143,5	17	24	13	14,93	0,8
85	180	112	45	148,5	18	24	13	16,93	0,8
90	190	117	48	157	20	28	17	19,02	0,8
100	222	134	51	184	21	31	17	19,02	0,8
110	238	142	60	202	21	34	17	19,02	0,8

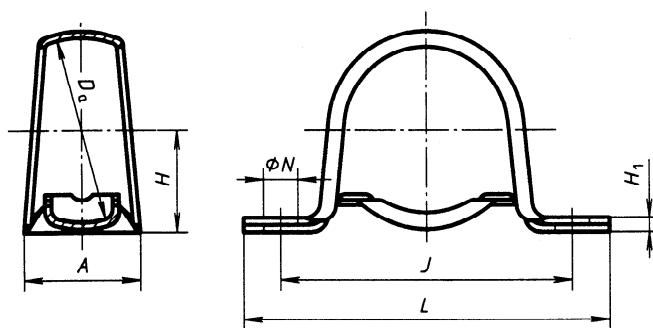


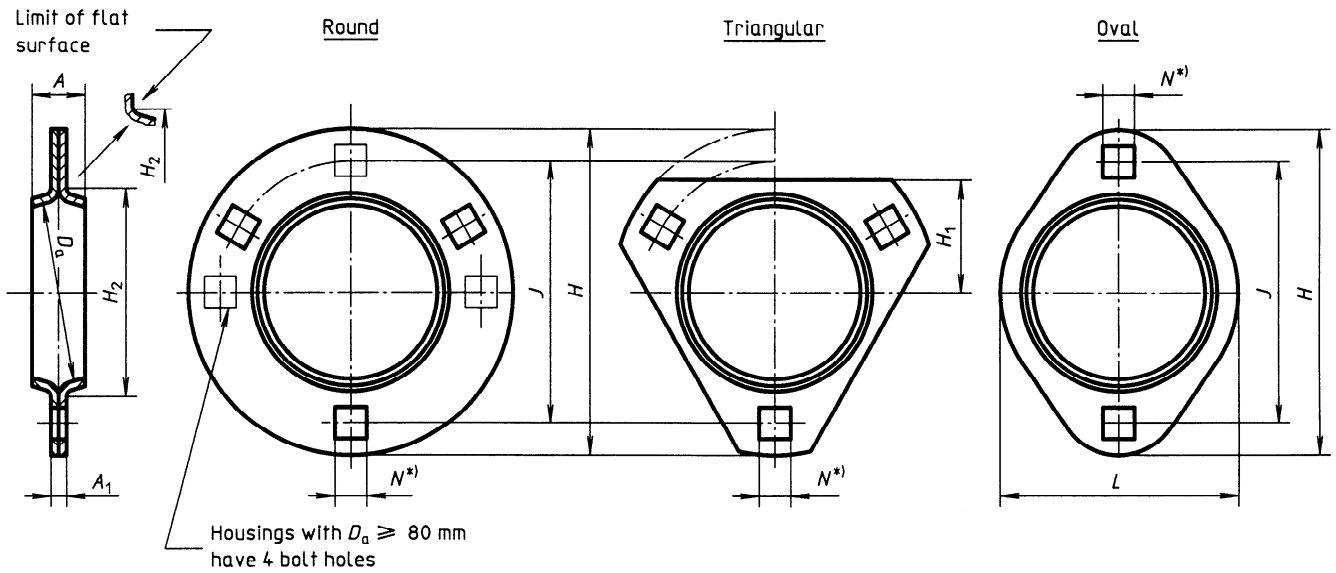
Figure 4 — Pressed plumber block housings

Table 4 — Pressed plumber block housings  
(standards.itech.ai)

Dimensions in millimetres

$D_a$	$L_{max}$	$A_{max}$	$J$ $\pm 0,4$	$H_{1\ max}$	$H$	$N$ $\pm 0,5$
40	87	26	68	4	22,2	9,5
47	99	33	76	4	25,4	9,5
52	109	33	86	4,5	28,6	11,5
62	119	39	95	4,5	33,3	11,5
72	130	43	106	5	39,7	11,5
80	148	43	120	5	43,7	13
85	156	45	128	6	46,8	13





\*) The holes may alternatively be round with diameter equal to  $N$ .

Figure 5 — Pressed flanged housings (round, triangular and oval)

(standards.iteh.ai)

ISO 3228:1993

<https://standards.iteh.ai/catalog/standards/sist/ba76f9ad-b900-4ef5-afb7-1d4708014976/iso-3228-1993>

Table 5 — Pressed flanged housings (round, triangular and oval)

Dimensions in millimetres

$D_a$	$H_{max}$	$L_{max}$	$A_{max}$	$J$ $\pm 0,4$	$A_{1\ max}$	$H_{1\ max}$	$H_{2\ max}$	$N$ $\pm 0,25$
40	82	60	15	63,5	4,5	29	49	7,1
47	91	68	17	71,5	4,5	34	56	9
52	96	72	19	76	4,5	36	61	9
62	114	85	20	90,5	5,5	41	72	11
72	127	95	23	100	5,5	45	81	11
80	149	—	23	119	7	—	91	13,5
85	150	—	23	120,5	7	—	98	13,5
90	157	—	25	127	8	—	102	13,5
100	168	—	26	138	8	—	113	13,5
110	177	—	28	148	8	—	122	13,5