



**International
Standard**

ISO 21538

**Blanks for superabrasive cutting-
off wheels — Mounting and fixing
bores — Building construction and
civil engineering**

*Âmes pour meules de tronçonnage superabrasives — Alésages de
montage et de fixation — Bâtiment et génie civil*

Third edition

iTeh Standards
standards.itih.ai)
Document Preview

[ISO 21538](#)

<https://standards.itih.ai/catalog/standards/iso/c6ebe602-8aff-4a94-9abb-b3e574b42d2f/iso-21538>

PROOF/ÉPREUVE

iTeh Standards
(<https://standards.iteh.ai>)
Document Preview

ISO 21538

<https://standards.iteh.ai/catalog/standards/iso/c6ebe602-8aff-4a94-9abb-b3e574b42d2f/iso-21538>



COPYRIGHT PROTECTED DOCUMENT

© ISO 2024

All rights reserved. Unless otherwise specified, or required in the context of its implementation, no part of this publication may be reproduced or utilized otherwise in any form or by any means, electronic or mechanical, including photocopying, or posting on the internet or an intranet, without prior written permission. Permission can be requested from either ISO at the address below or ISO's member body in the country of the requester.

ISO copyright office
CP 401 • Ch. de Blandonnet 8
CH-1214 Vernier, Geneva
Phone: +41 22 749 01 11
Email: copyright@iso.org
Website: www.iso.org

Published in Switzerland

PROOF/ÉPREUVE

© ISO 2024 – All rights reserved

Contents

Page

Foreword.....	iv
1 Scope.....	1
2 Normative references.....	1
3 Terms and definitions.....	1
4 Dimensions.....	1
5 Designation.....	9

iTeh Standards
(<https://standards.iteh.ai>)
Document Preview

[ISO 21538](https://standards.iteh.ai/catalog/standards/iso/c6e602-8aff-4a94-9abb-b3e574b42d2f/iso-21538)

<https://standards.iteh.ai/catalog/standards/iso/c6e602-8aff-4a94-9abb-b3e574b42d2f/iso-21538>

Foreword

ISO (the International Organization for Standardization) is a worldwide federation of national standards bodies (ISO member bodies). The work of preparing International Standards is normally carried out through ISO technical committees. Each member body interested in a subject for which a technical committee has been established has the right to be represented on that committee. International organizations, governmental and non-governmental, in liaison with ISO, also take part in the work. ISO collaborates closely with the International Electrotechnical Commission (IEC) on all matters of electrotechnical standardization.

The procedures used to develop this document and those intended for its further maintenance are described in the ISO/IEC Directives, Part 1. In particular, the different approval criteria needed for the different types of ISO document should be noted. This document was drafted in accordance with the editorial rules of the ISO/IEC Directives, Part 2 (see www.iso.org/directives).

ISO draws attention to the possibility that the implementation of this document may involve the use of (a) patent(s). ISO takes no position concerning the evidence, validity or applicability of any claimed patent rights in respect thereof. As of the date of publication of this document, ISO had not received notice of (a) patent(s) which may be required to implement this document. However, implementers are cautioned that this may not represent the latest information, which may be obtained from the patent database available at www.iso.org/patents. ISO shall not be held responsible for identifying any or all such patent rights.

Any trade name used in this document is information given for the convenience of users and does not constitute an endorsement.

For an explanation of the voluntary nature of standards, the meaning of ISO specific terms and expressions related to conformity assessment, as well as information about ISO's adherence to the World Trade Organization (WTO) principles in the Technical Barriers to Trade (TBT), see www.iso.org/iso/foreword.html.

This document was prepared by Technical Committee ISO/TC 29, *Small tools*, Subcommittee SC 5, *Grinding wheels and abrasives*.

This third edition cancels and replaces the second edition (ISO 21538:2016), which has been technically revised.

The main changes are as follows:

- [Figures 1](#) and [2](#) have been modified;
- new dimensions have been added to [Table 1](#).

Any feedback or questions on this document should be directed to the user's national standards body. A complete listing of these bodies can be found at www.iso.org/members.html.

Blanks for superabrasive cutting-off wheels — Mounting and fixing bores — Building construction and civil engineering

1 Scope

This document specifies the most common dimensions for mounting and fixing bores in blanks. These mounting and fixing bores conform to the relevant dimensions of the clamping flanges specified in ISO 21537-2.

2 Normative references

The following documents are referred to in the text in such a way that some or all of their content constitutes requirements of this document. For dated references, only the edition cited applies. For undated references, the latest edition of the referenced document (including any amendments) applies.

ISO 2768-1, *General tolerances — Part 1: Tolerances for linear and angular dimensions without individual tolerance indications*

ISO 21537-2, *Clamping flanges for superabrasive cutting-off wheels — Part 2: Building and construction*

3 Terms and definitions

No terms and definitions are listed in this document.

ISO and IEC maintain terminology databases for use in standardization at the following addresses:

- ISO Online browsing platform: available at <https://www.iso.org/obp>
- IEC Electropedia: available at <https://www.electropedia.org/>

4 Dimensions

The dimensions of a centre bore without hole circle (type A), of a centre bore with one hole circle for a driving pin (type B), of a centre bore with up to two hole circles for driving pins (type C), of a centre bore with up to two hole circles for mounting (type D) and of a centre bore with one hole circle for driving pins and one for mounting (type E) are shown in [Figures 3](#) to [7](#), respectively and are given in [Table 1](#).

Details which are not specified shall be chosen according to need.

The countersinks may only be on one side of the blade. A maximum of two different pitch diameters for countersinks are allowed. In addition to the countersunk bores, two through boreholes are permitted.

Additional drive holes shall be located within the flange area.

- The distance between the drive holes shall be at least 14 mm in the radial direction (see [Figure 1](#)).
- The distance between the drive holes shall be at least 30 mm in the tangential direction (see [Figure 1](#)).
- The distance between the pitch circles shall be min. 20 mm in radial direction (see [Figure 2](#)).

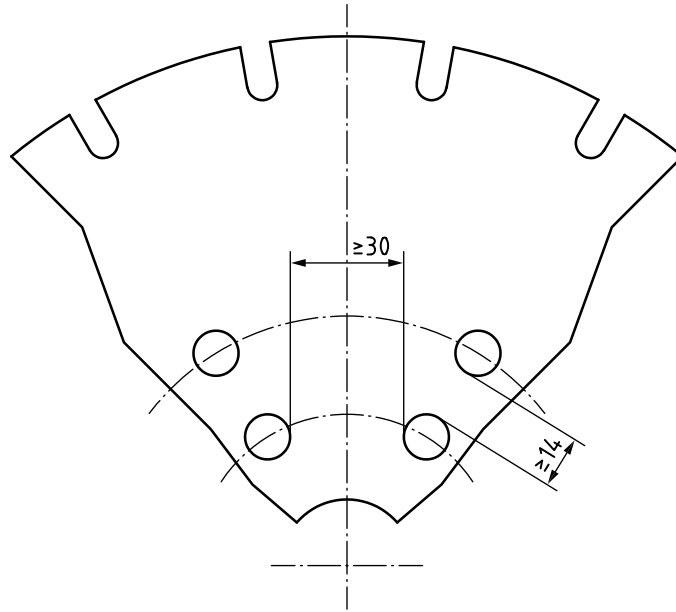


Figure 1 — Location of drive holes within the flange area

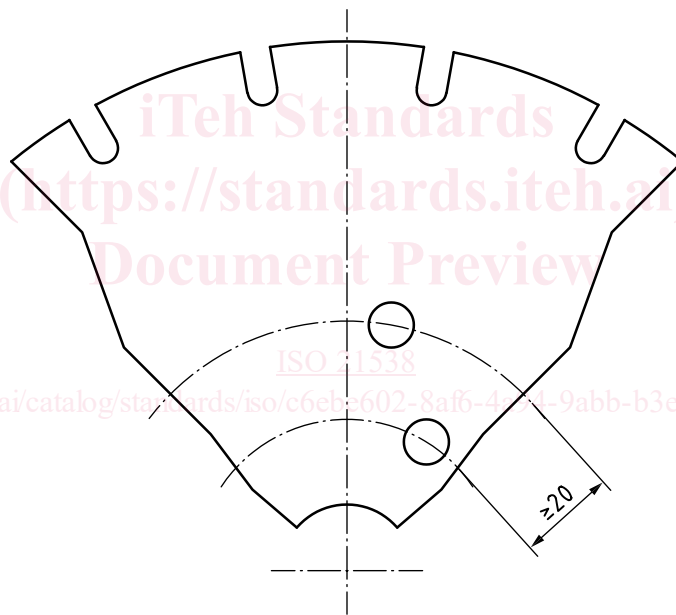


Figure 2 — Minimum space between the pitch diameters