
International Standard



3285

INTERNATIONAL ORGANIZATION FOR STANDARDIZATION • МЕЖДУНАРОДНАЯ ОРГАНИЗАЦИЯ ПО СТАНДАРТИЗАЦИИ • ORGANISATION INTERNATIONALE DE NORMALISATION

Road vehicles — Ignition coil mounting brackets

Véhicules routiers — Supports de montage pour bobines d'allumage

Second edition — 1986-09-15

iTeh STANDARD PREVIEW
(standards.iteh.ai)

[ISO 3285:1986](#)

<https://standards.iteh.ai/catalog/standards/sist/90742525-5086-4101-a18a-33867969ccca/iso-3285-1986>

UDC 621.43.044.3 : 629.113

Ref. No. ISO 3285-1986 (E)

Descriptors : road vehicles, internal combustion engines, controlled ignition engines, ignition systems, ignition coils, fasteners, dimensions.

Foreword

ISO (the International Organization for Standardization) is a worldwide federation of national standards bodies (ISO member bodies). The work of preparing International Standards is normally carried out through ISO technical committees. Each member body interested in a subject for which a technical committee has been established has the right to be represented on that committee. International organizations, governmental and non-governmental, in liaison with ISO, also take part in the work.

Draft International Standards adopted by the technical committees are circulated to the member bodies for approval before their acceptance as International Standards by the ISO Council. They are approved in accordance with ISO procedures requiring at least 75 % approval by the member bodies voting.

International Standard ISO 3285 was prepared by Technical Committee ISO/TC 22, *Road vehicles*.

This second edition cancels and replaces the first edition (ISO 3285-1974), of which it constitutes a technical revision. <https://standards.iteh.ai/catalog/standards/sist/90742525-5086-4101-a18a-33867969ccca/iso-3285-1986>

Users should note that all International Standards undergo revision from time to time and that any reference made herein to any other International Standard implies its latest edition, unless otherwise stated.

Road vehicles – Ignition coil mounting brackets

1 Scope and field of application

This International Standard specifies the essential dimensional characteristics of mounting brackets for ignition coils used for spark-ignition engines.

It applies to ignition coil mounting brackets.

2.2 Positions of the fixing holes

It is left to the manufacturer's choice whether to align both holes horizontally, or one horizontally and the other vertically.

The holes may equally be open, or one a circular hole and the other slotted.

2 Required characteristics

2.1 Dimensions

The dimensions indicated in figures 1 and 2 apply to mounting brackets when mounted on the ignition coil.

2.3 Distance between the fixing bolts

Car manufacturers are encouraged to use a centre-to-centre distance for fixing bolts of 70 ± 2 mm for type A, and 115 ± 2 mm for type B.

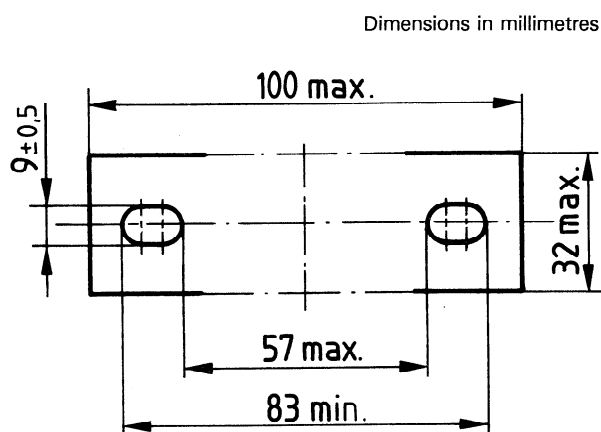


Figure 1 – Type A mounting bracket

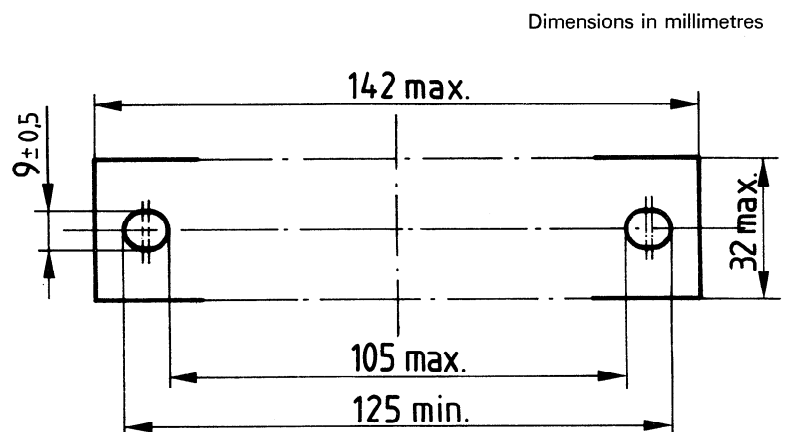


Figure 2 – Type B mounting bracket

iTeh STANDARD PREVIEW

(standards.iteh.ai)
This page intentionally left blank

ISO 3285:1986

<https://standards.iteh.ai/catalog/standards/sist/90742525-5086-4101-a18a-33867969ccca/iso-3285-1986>