



Designation: D905 – 08 (Reapproved 2013)

Standard Test Method for Strength Properties of Adhesive Bonds in Shear by Compression Loading¹

This standard is issued under the fixed designation D905; the number immediately following the designation indicates the year of original adoption or, in the case of revision, the year of last revision. A number in parentheses indicates the year of last reapproval. A superscript epsilon (ϵ) indicates an editorial change since the last revision or reapproval.

This standard has been approved for use by agencies of the U.S. Department of Defense.

INTRODUCTION

The accuracy of the results of strength tests of adhesive bonds will depend on the conditions under which the bonding process is carried out. Unless otherwise agreed upon by the manufacturer and the purchaser, the bonding conditions shall be prescribed by the manufacturer of the adhesive. In order to ensure that complete information is available to the individual conducting the tests, the manufacturer of the adhesive shall furnish numerical values and other specific information for each of the following variables:

- (1) The moisture content of the wood at the time of bonding.
- (2) Complete mixing directions for the adhesive.
- (3) Conditions for applications of the adhesive including the rate of spread or thickness of film, number of coats to be applied, whether to be applied to one or both surfaces, and the conditions of drying where more than one coat is required.
- (4) Assembly conditions before application of pressure, including the room temperature, length of time, and whether open or closed assembly is to be used.
- (5) Curing conditions, including the amount of pressure to be applied, the length of time under pressure and the temperature of assembly when under pressure. It should be stated whether this temperature is that of the bond line, or of the atmosphere at which the assembly is to be maintained.
- (6) Conditioning procedure before testing, unless a standard procedure is specified, including the length of time, temperature, and relative humidity.

A range may be prescribed for any variable by the manufacturer of the adhesive if it can be assumed by the test operator that any arbitrarily chosen value within such a range or any combination of such values for several variables will be acceptable to both the manufacturer and the purchaser of the adhesive.

1. Scope

1.1 This test method covers the determination of the comparative shear strengths of adhesive bonds used for bonding wood and other similar materials, when tested on a standard specimen under specified conditions of preparation, conditioning, and loading in compression. This test method is intended primarily as an evaluation of adhesives for wood.

1.2 The values stated in SI units are to be regarded as the standard. The values given in brackets are provided for information purposes only.

1.3 *This standard does not purport to address all of the safety concerns, if any, associated with its use. It is the responsibility of the user of this standard to establish appropriate safety and health practices and determine the applicability of regulatory limitations prior to use.*

2. Referenced Documents

- 2.1 *ASTM Standards*:²
[D143 Test Methods for Small Clear Specimens of Timber](#)
[D907 Terminology of Adhesives](#)

¹ This test method is under the jurisdiction of ASTM Committee D14 on Adhesives and is the direct responsibility of Subcommittee D14.30 on Wood Adhesives.

Current edition approved Oct. 1, 2013. Published October 2013. Originally approved in 1947. Last previous edition approved in 2008 as D905 – 08^{ε1}. DOI: 10.1520/D0905-08R13.

² For referenced ASTM standards, visit the ASTM website, www.astm.org, or contact ASTM Customer Service at service@astm.org. For *Annual Book of ASTM Standards* volume information, refer to the standard's Document Summary page on the ASTM website.

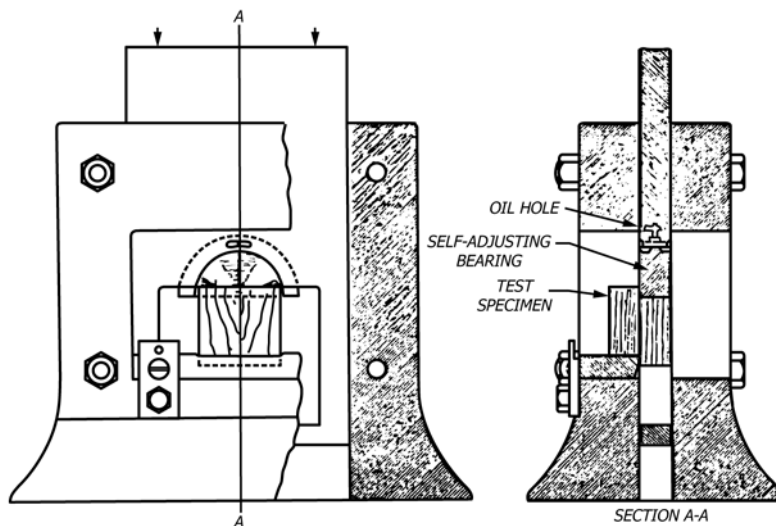


FIG. 1 Shearing Tool

D5266 Practice for Estimating the Percentage of Wood Failure in Adhesive Bonded Joints

3. Terminology

3.1 Definitions—Many terms in this test method are defined in Terminology D907.

4. Significance and Use

4.1 It cannot be assumed that this test method measures the true shear strength of the adhesive bond. Many factors interfere or bias the measurement including the strength of the wood, the specimen, the shear tool designs themselves, and the rate of loading.

4.1.1 Wood failure is very common in joints made with strong adhesives. Although high wood failure is normally desired, when it occurs the measured strength is lower than the true adhesive bond strength.

4.1.2 Stress concentrations at the notches of the specimen tend to lower the measured strength. In a similar test for the shear strength of solid wood, Test Methods D143, these effects are self correcting so that the measured strength is close to the true shear strength of the wood. By analogy the same may be true in this test method, however, other factors are also involved and may alter the relationship.

4.1.3 The rate of loading affects the strength of an adhesive bond according to the adhesive's rheological properties. The more viscoelastic or plastic the adhesive, the greater effect. Thermosetting adhesives like urea- and phenol-formaldehyde are elastic. Their bond strengths can be measured over a range of loading rate from 0.038 to 1.27 cm/min [0.015 to 0.5 in./min] with no apparent affect. Thermoplastic adhesives like polyvinyl acetate, hot melts, and elastomer-based adhesives exhibit a broad range of elastic, viscoelastic, and plastic behaviors. Their bond strengths will be affected to varying degrees by changing the loading rate. Generally, increasing the rate, increases the measured strength.

4.2 This test method is suitable for product research and development, qualifying adhesives in accordance with certain

product or performance specifications, and monitoring bonding process control. This test method may be suitable for comparing and selecting adhesives, however, such comparisons must be made with caution since the measured strength of some adhesives may be different in different types of joints. Strength values obtained by this test method are not suitable as design shear strengths values without adjustment by certain engineering design factors.

5. Apparatus

5.1 The testing machine shall have a capacity of not less than 6810 kg [15 000 lb] in compression and shall be fitted with a shearing tool containing a self-aligning seat to ensure uniform lateral distribution of the load. The machine shall be capable of maintaining a uniform rate of loading such that the load may be applied with a continuous motion of the movable head to maximum load at a rate of 5 mm [0.20 in.]/min with a permissible variation of ±25 %. The shearing tool shown in Fig. 1 has been found satisfactory. The testing machine shall be located in an atmosphere such that the moisture content of the specimens developed under the conditions prescribed in Section 8 is not noticeably altered during testing.

6. Test Specimens

6.1 Test specimens shall conform to the form and dimensions shown in Fig. 2. The specimens shall be cut from test joints prepared as described in Sections 7 and 8.

6.2 At least 20 specimens shall be tested, representing at least four different joints.

7. Preparation of Test Joints

7.1 Hard maple blocks (*Acer saccharum* or *Acer nigrum*), having a minimum specific gravity of 0.65 based on oven-dry weight and volume shall be selected (see Note 1). These blocks shall be of straight grain and free from defects including knots, birdseye, short grain, decay, and any unusual discolorations within the shearing area. The blocks shall be of suitable size preferably so that five test specimens may be cut from one test