



FINAL DRAFT International Standard

ISO/FDIS 24204

Oil and gas industries including lower carbon energy — Bulk material for offshore projects — Design for architectural supports

Industries du pétrole et du gaz, y compris les énergies à faible teneur en carbone — Matériels de base pour les projets en mer — Conception pour les supports architecturaux

ISO/TC 67

Secretariat: **NEN**

Voting begins on:
2024-11-27

Voting terminates on:
2025-01-22

[ISO/FDIS 24204](https://standards.iteh.ai/catalog/standards/iso/60e60a2a-a6ed-4176-a318-134ca8deb932/iso-fdis-24204)

<https://standards.iteh.ai/catalog/standards/iso/60e60a2a-a6ed-4176-a318-134ca8deb932/iso-fdis-24204>

RECIPIENTS OF THIS DRAFT ARE INVITED TO SUBMIT, WITH THEIR COMMENTS, NOTIFICATION OF ANY RELEVANT PATENT RIGHTS OF WHICH THEY ARE AWARE AND TO PROVIDE SUPPORTING DOCUMENTATION.

IN ADDITION TO THEIR EVALUATION AS BEING ACCEPTABLE FOR INDUSTRIAL, TECHNOLOGICAL, COMMERCIAL AND USER PURPOSES, DRAFT INTERNATIONAL STANDARDS MAY ON OCCASION HAVE TO BE CONSIDERED IN THE LIGHT OF THEIR POTENTIAL TO BECOME STANDARDS TO WHICH REFERENCE MAY BE MADE IN NATIONAL REGULATIONS.

iTeh Standards
(<https://standards.iteh.ai>)
Document Preview

ISO/FDIS 24204

<https://standards.iteh.ai/catalog/standards/iso/60e60a2a-a6ed-4176-a318-134ca8deb932/iso-fdis-24204>



COPYRIGHT PROTECTED DOCUMENT

© ISO 2024

All rights reserved. Unless otherwise specified, or required in the context of its implementation, no part of this publication may be reproduced or utilized otherwise in any form or by any means, electronic or mechanical, including photocopying, or posting on the internet or an intranet, without prior written permission. Permission can be requested from either ISO at the address below or ISO's member body in the country of the requester.

ISO copyright office
CP 401 • Ch. de Blandonnet 8
CH-1214 Vernier, Geneva
Phone: +41 22 749 01 11
Email: copyright@iso.org
Website: www.iso.org

Published in Switzerland

Contents

	Page
Foreword	iv
Introduction	v
1 Scope	1
2 Normative references	1
3 Terms and definitions	1
4 Architectural support specification	2
4.1 General.....	2
4.2 Lining panel support specification.....	2
4.2.1 Key parameters.....	2
4.2.2 Shape and dimensional specifications.....	3
4.2.3 Connection detail specification.....	4
4.2.4 Material specification.....	5
4.2.5 Maximum support length.....	5
4.2.6 Specification of maximum pitch for lining support.....	5
4.2.7 Application of double pads.....	6
4.3 Partition panel support specification.....	6
4.3.1 Key parameters.....	6
4.3.2 Shape and dimensional specifications.....	7
4.3.3 Connection detail specification.....	7
4.3.4 Material specification.....	7
4.3.5 Maximum support height.....	8
4.3.6 Specification of maximum pitch for partition panel support.....	8
4.3.7 Application of double pads.....	9
4.4 Coaming plate specification.....	9
4.4.1 Key parameters.....	9
4.4.2 Shape and dimensional specifications.....	10
4.4.3 Connection detail specification.....	10
4.4.4 Material specification.....	10
4.5 Technical liner support specification.....	11
4.5.1 Key parameters.....	11
4.5.2 Types of technical liner support.....	11
4.5.3 Shape and dimensional specifications.....	13
4.5.4 Connection detail specification.....	13
4.5.5 Material specification.....	14
4.5.6 Application of double pads.....	14
4.6 Equipment supports on wall panel.....	14
4.6.1 General.....	14
4.6.2 Wall-mounted equipment support.....	15
4.6.3 Deck-mounted equipment support.....	18
4.6.4 Material specification.....	19
4.6.5 Connection detail specification.....	19
4.6.6 Application of double pads.....	19
Annex A (informative) Quality control plan (QCP)	21

Foreword

ISO (the International Organization for Standardization) is a worldwide federation of national standards bodies (ISO member bodies). The work of preparing International Standards is normally carried out through ISO technical committees. Each member body interested in a subject for which a technical committee has been established has the right to be represented on that committee. International organizations, governmental and non-governmental, in liaison with ISO, also take part in the work. ISO collaborates closely with the International Electrotechnical Commission (IEC) on all matters of electrotechnical standardization.

The procedures used to develop this document and those intended for its further maintenance are described in the ISO/IEC Directives, Part 1. In particular, the different approval criteria needed for the different types of ISO document should be noted. This document was drafted in accordance with the editorial rules of the ISO/IEC Directives, Part 2 (see www.iso.org/directives).

ISO draws attention to the possibility that the implementation of this document may involve the use of (a) patent(s). ISO takes no position concerning the evidence, validity or applicability of any claimed patent rights in respect thereof. As of the date of publication of this document, ISO had not received notice of (a) patent(s) which may be required to implement this document. However, implementers are cautioned that this may not represent the latest information, which may be obtained from the patent database available at www.iso.org/patents. ISO shall not be held responsible for identifying any or all such patent rights.

Any trade name used in this document is information given for the convenience of users and does not constitute an endorsement.

For an explanation of the voluntary nature of standards, the meaning of ISO specific terms and expressions related to conformity assessment, as well as information about ISO's adherence to the World Trade Organization (WTO) principles in the Technical Barriers to Trade (TBT), see www.iso.org/iso/foreword.html.

This document was prepared by Technical Committee ISO/TC 67, *Oil and gas industries including lower carbon energy*.

Any feedback or questions on this document should be directed to the user's national standards body. A complete listing of these bodies can be found at www.iso.org/members.html.

ISO/FDIS 24204

<https://standards.iteh.ai/catalog/standards/iso/60e60a2a-a6ed-4176-a318-134ca8deb932/iso-fdis-24204>

Introduction

Based on an assessment of past offshore projects, this document aims to provide a set of unified design specifications for architectural supports for offshore projects, responding to the current lack of recognized specifications for such supports in terms of shapes, sizes, dimensions, material and application area.

Company-specific standards from owners, engineering companies and shipbuilders have been prevailing for such specifications. There are big variations in specifications from project to project, because of the lack of international recognized specifications within this area.

Thus, individual architectural supports have often failed to be compatible across different projects. With this document, one unified approach can be applied for their design, material selection, shape and application, etc. This can significantly reduce the delivery time and improve the engineering and fabrication efficiency. Another expected benefit is improvement on the design and application of architectural support types related to design life, maintainability and integrity.

iTeh Standards (<https://standards.iteh.ai>) Document Preview

[ISO/FDIS 24204](https://standards.iteh.ai/catalog/standards/iso/60e60a2a-a6ed-4176-a318-134ca8deb932/iso-fdis-24204)

<https://standards.iteh.ai/catalog/standards/iso/60e60a2a-a6ed-4176-a318-134ca8deb932/iso-fdis-24204>

Oil and gas industries including lower carbon energy — Bulk material for offshore projects — Design for architectural supports

1 Scope

This document specifies the design requirements for architectural supports, in terms of their shape and dimensions, material, strength, etc. This document covers architectural supports of topside and living-quarter regions for fixed or floating offshore oil and gas platforms including lower carbon energy.

2 Normative references

There are no normative references in this document.

3 Terms and definitions

For the purposes of this document, the following terms and definitions apply.

ISO and IEC maintain terminology databases for use in standardization at the following addresses:

- ISO Online browsing platform: available at <https://www.iso.org/obp>
- IEC Electropedia: available at <https://www.electropedia.org/>

3.1 architectural support

member, attached to adjacent structural members, used to maintain the position of architectural components, but not subject to take significant loads from the architectural components

EXAMPLE *Lining panel (3.6), partition panel (3.7).*

3.2 architectural welding

welding used to fix the *architectural support (3.1)* of equal angle or flat bar to the structural member

3.3 ceiling panel

overhead interior surface that covers the upper limits of a room, connected with the wall system by being either suspended or self-supported

3.4 coaming plate

steel flat bar or vertical surface which is provided to prevent ingress of water

3.5 equipment support

architectural member to support equipment installed on the *wall panel (3.12)*

3.6 lining panel

non-load-bearing proprietary sandwich panel system of 25 mm in thickness, consisting of mineral or rock wool core and single- or double-sided steel sheeting finish used as a part of the *wall panel (3.12)* system

3.7

partition panel

non-load-bearing proprietary sandwich panel system of 50 mm or 100 mm in thickness, consisting of mineral or rock wool core and double-sided steel sheeting finish used as a part of the *wall panel* (3.12) system

3.8

quality control plan

QCP

written set of procedures and activities aimed at delivering products that meet quality objectives for a project as stated in contract documents and other procedures, manuals and guidance

3.9

tack welding

welding used to fix the *architectural support* (3.1) of the channel to the structural member and weld applied to connect the top and bottom profile of the channel to the architectural support or itself

3.10

technical liner

thin metal panel fixed to support profiles which are usually provided to protect insulation from mechanical damage

3.11

vibration absorber

material or device used to reduce a transmission of vibration on the *wall panel* (3.12)

Note 1 to entry: The vibration absorber between the *architectural support* (3.1) and the wall panel can be installed in accordance with the project specification.

3.12

wall panel

single piece of material, usually flat and cut into a rectangular shape that serves as the visible and exposed covering for a wall

Note 1 to entry: Wall panels are functional as well as decorative, providing insulation and sound proofing, uniformity of appearance, along with some measure of durability or ease of replaceability. According to the installation location and the existing steel wall, it is composed of lining wall panel and partition wall panel.

<https://standards.itech.ai/catalog/standards/iso/60e60a2a-a6ed-4176-a318-134ca8deb932/iso-fdis-24204>

4 Architectural support specification

4.1 General

This clause specifies the standard design for architectural supports as the following types:

- a) lining panel support;
- b) partition panel support;
- c) coaming plate;
- d) technical liner support;
- e) equipment supports on wall panel.

4.2 Lining panel support specification

4.2.1 Key parameters

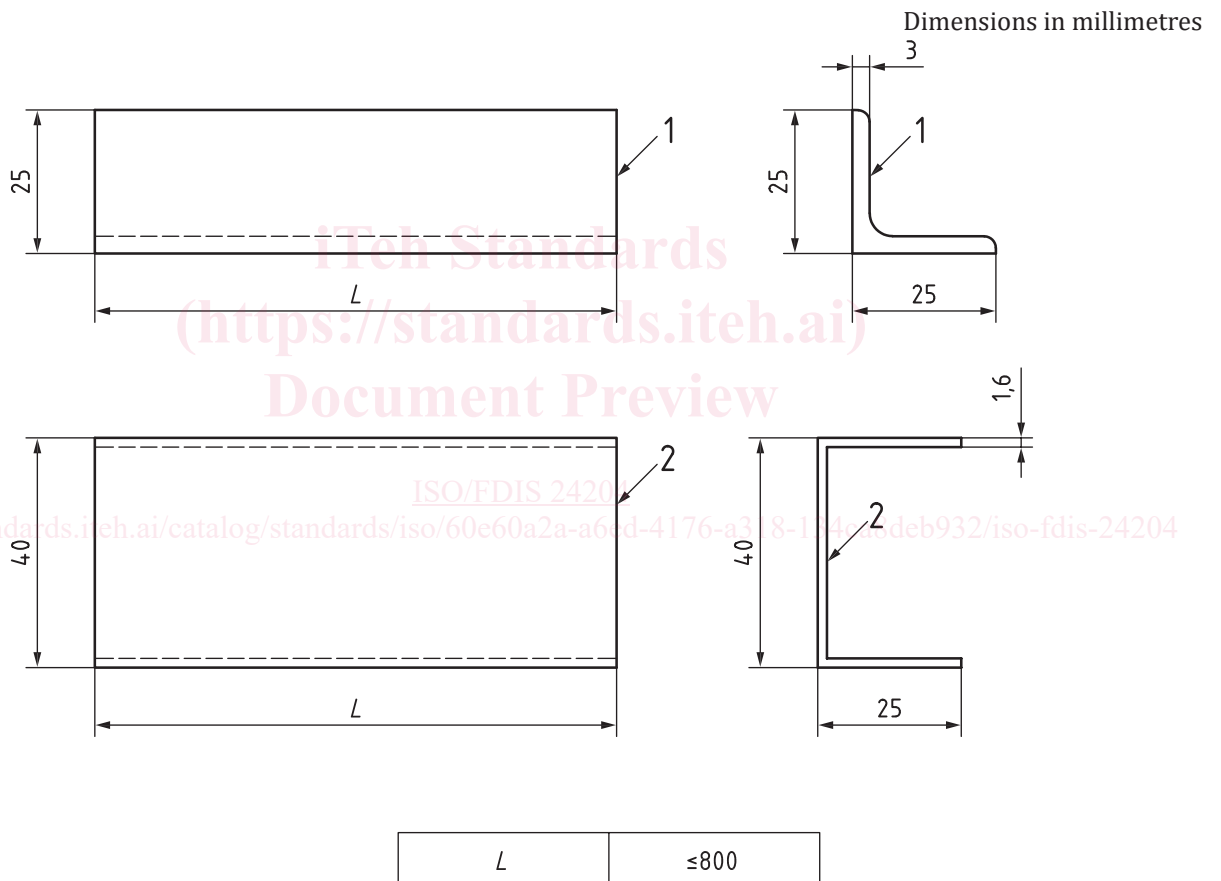
The key parameters of the lining panel support are:

- a) shape;

- b) dimension;
- c) connection;
- d) material;
- e) maximum lining length for single support;
- f) maximum pitch for lining panel support;
- g) application of double pads.

4.2.2 Shape and dimensional specifications

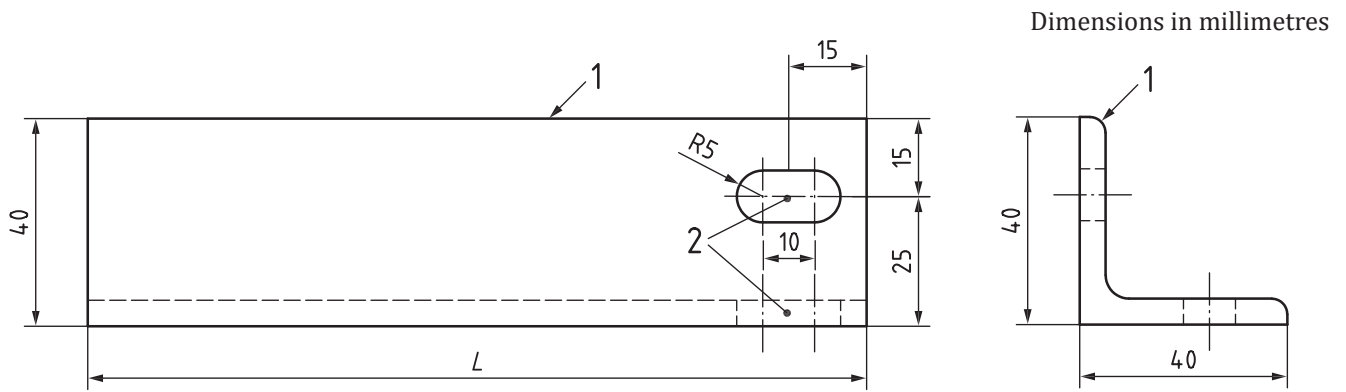
The lining panel support should be, as a minimum, 25 mm × 25 mm × 3 mm (thickness) equal angle or 25 mm × 40 mm × 25 mm × 1,6 mm (thickness) channel or equivalent, as shown in Figure 1, with architectural welding. For installing the vibration absorber with a slot hole on the angle as shown in Figure 2, 40 mm × 40 mm × 5 mm (thickness) equal angle can be used. The vibration absorber may be installed for reducing the transmission of vibration in accordance with project specification.



Key

- 1 25 mm × 25 mm × 3 mm (thickness) equal angle
- 2 25 mm × 40 mm × 25 mm × 1,6 mm (thickness) channel
- L support length

Figure 1 — Maximum length for lining panel support



Key

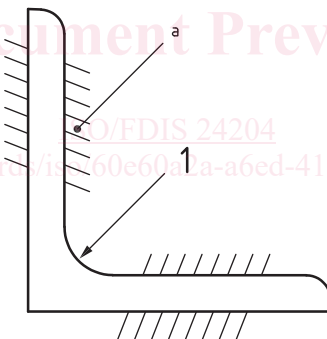
- 1 40 mm × 40 mm × 5 mm (thickness) equal angle
- 2 slot holes
- L* support length

Figure 2 — Slot hole detail for vibration absorber

A slot hole is provided at the bottom side of the angle to install vibration absorber. Considering the flexibility of installation, slot holes are provided at both sides of the angle.

4.2.3 Connection detail specification

The architectural welding detail for equal angle of the lining panel support to the structural member is shown in [Figure 3](#) and [Figure 4](#). The length of the weld leg for architectural welding shall be minimum 2 mm. When a channel is installed, tack welding shall be applied considering the web thickness of the channel.



Key

- 1 lining panel support of equal angle
- a Fillet welding with minimum 2 mm leg length and minimum 10 mm weld length.

Figure 3 — Fillet weld detail to plate of structural member