

ISO/~~DIS~~PRF 5603:2023(E)

~~DATE: 2023-09~~

ISO/TC-45/SC-2/WG-1

Secretariat: JISC

~~Date: 2024-02-16~~

Style Definition

Formatted: zzCover large

Formatted: Right: 1.5 cm, Bottom: 1 cm, Gutter: 0 cm, Section start: New page, Header distance from edge: 1.27 cm, Footer distance from edge: 1.27 cm

## Rubber, vulcanized.— Determination of adhesion to wire cord

~~Caoutchouc vulcanisé.— Détermination de l'adhérence à un câble métallique~~

Formatted: Cover Title\_A1

Formatted

iTeh Standards  
(<https://standards.itih.ai>)  
**PROOF** nent Preview

ISO/PRF 5603

<https://standards.itih.ai/catalog/standards/iso/a465cfe8-c8e0-4271-a0ff-1645d0347f6b/iso-prf-5603>

Edited DIS - MUST BE USED FOR FINAL DRAFT

© ISO ~~2023~~2024

All rights reserved. Unless otherwise specified, or required in the context of its implementation, no part of this publication may be reproduced or utilized otherwise in any form or by any means, electronic or mechanical, including photocopying, or posting on the internet or an intranet, without prior written permission. Permission can be requested from either ISO at the address below or ISO's member body in the country of the requester.

ISO copyright office  
CP 401 • ~~Ch. de Blandonnet 8~~ CH-1214 Vernier, Geneva  
~~CH-1214 Vernier, Geneva~~  
Phone: + 41 22 749 01 11  
Email: [copyright@iso.org](mailto:copyright@iso.org)  
Website: [www.iso.org](http://www.iso.org)

Published in Switzerland

**Formatted:** Font: 11 pt, Bold

**Formatted:** Font: 11 pt, Bold

**Formatted:** HeaderCentered, Space After: 0 pt, Line spacing: single

**Formatted:** Font: 11 pt, Bold

**Formatted:** Indent: Left: 0 cm, Right: 0 cm, Space Before: 0 pt, No page break before, Adjust space between Latin and Asian text, Adjust space between Asian text and numbers

**Formatted:** Default Paragraph Font

**Formatted:** French (Switzerland)

**Formatted:** zzCopyright address, Indent: Left: 0 cm, First line: 0 cm, Right: 0 cm, Adjust space between Latin and Asian text, Adjust space between Asian text and numbers

**Formatted:** French (Switzerland)

**Formatted:** French (Switzerland)

# iTeh Standards (<https://standards.iteh.ai>) Document Preview

ISO/PRF 5603

<https://standards.iteh.ai/catalog/standards/iso/a465cfe8-c8e0-4271-a0ff-1645d0347f6b/iso-prf-5603>

**Formatted:** FooterPageRomanNumber

Contents

Foreword ..... 1

1 Scope ..... 1

2 Normative references ..... 1

3 Terms and definitions ..... 1

4 Principle ..... 2

5 Materials ..... 2

6 Apparatus ..... 2

7 Calibration ..... 17

8 Test piece ..... 18

8.1 Form ..... 18

8.2 Dimensions ..... 20

8.3 Preparation ..... 20

8.3.1 General ..... 20

8.3.2 Method 1 ..... 20

8.3.3 Method 2 ..... 21

8.3.4 Both methods ..... 21

9 Procedure ..... 21

10 Expression of results ..... 24

11 Test report ..... 24

Annex A (normative) Calibration schedule ..... 26

Foreword ..... iv

1 Scope ..... 1

2 Normative references ..... 1

3 Terms and definitions ..... 1

4 Principle ..... 1

5 Materials ..... 2

6 Apparatus ..... 2

7 Calibration ..... 10

8 Test piece ..... 10

8.1 Form ..... 10

8.2 Dimensions ..... 11

8.3 Preparation ..... 12

9 Procedure ..... 13

10 Expression of results ..... 15

© ISO 2023 – All rights reserved

© ISO 2024 – All rights reserved

Edited DIS - MUST BE USED FOR FINAL DRAFT

- Formatted: Font: 11 pt, Bold
- Formatted: HeaderCentered, Left, Space After: 0 pt, Line spacing: single
- Formatted: Font: 11 pt, Bold
- Formatted: Font: 11 pt, Bold
- Formatted: Adjust space between Latin and Asian text, Adjust space between Asian text and numbers

Formatted: FooterPageRomanNumber

~~ISO/DIS-PRF 5603:2023(E)2024(en)~~

~~11 Test report 15~~

~~Annex A (normative) Calibration schedule 16~~

Formatted: Font: 11 pt, Bold

Formatted: Font: 11 pt, Bold

Formatted: HeaderCentered, Space After: 0 pt, Line spacing: single

Formatted: Font: 11 pt, Bold

iTeh Standards  
(<https://standards.iteh.ai>)  
Document Preview

ISO/PRF 5603

<https://standards.iteh.ai/catalog/standards/iso/a465cfe8-c8e0-4271-a0ff-1645d0347f6b/iso-prf-5603>

## Foreword

ISO (the International Organization for Standardization) is a worldwide federation of national standards bodies (ISO member bodies). The work of preparing International Standards is normally carried out through ISO technical committees. Each member body interested in a subject for which a technical committee has been established has the right to be represented on that committee. International organizations, governmental and non-governmental, in liaison with ISO, also take part in the work. ISO collaborates closely with the International Electrotechnical Commission (IEC) on all matters of electrotechnical standardization.

The procedures used to develop this document and those intended for its further maintenance are described in the ISO/IEC Directives, Part 1. In particular, the different approval criteria needed for the different types of ISO document should be noted. This document was drafted in accordance with the editorial rules of the ISO/IEC Directives, Part 2 (see [www.iso.org/directives](http://www.iso.org/directives)).

ISO draws attention to the possibility that the implementation of this document may involve the use of (a) patent(s). ISO takes no position concerning the evidence, validity or applicability of any claimed patent rights in respect thereof. As of the date of publication of this document, ISO had not received notice of (a) patent(s) which may be required to implement this document. However, implementers are cautioned that this may not represent the latest information, which may be obtained from the patent database available at [www.iso.org/patents](http://www.iso.org/patents). ISO shall not be held responsible for identifying any or all such patent rights.

Any trade name used in this document is information given for the convenience of users and does not constitute an endorsement.

For an explanation of the voluntary nature of standards, the meaning of ISO specific terms and expressions related to conformity assessment, as well as information about ISO's adherence to the World Trade Organization (WTO) principles in the Technical Barriers to Trade (TBT), see [www.iso.org/iso/foreword.html](http://www.iso.org/iso/foreword.html).

This document was prepared by Technical Committee ISO/TC 45, *Rubber and rubber products*, Subcommittee SC 2, *Testing and analysis*.

This fifth edition cancels and replaces the fourth edition (ISO 5603:2017), which has been technically revised.

The main changes are as follows:

— the normative references have been updated.

Any feedback or questions on this document should be directed to the user's national standards body. A complete listing of these bodies can be found at [www.iso.org/members.html](http://www.iso.org/members.html).

Formatted: Font: 11 pt, Bold

Formatted: HeaderCentered, Left, Space After: 0 pt, Line spacing: single

Formatted: Font: 11 pt, Bold

Formatted: Font: 11 pt, Bold

Formatted: Adjust space between Latin and Asian text, Adjust space between Asian text and numbers

Formatted: English (United Kingdom)

Formatted: English (United Kingdom)

Formatted: Adjust space between Latin and Asian text, Adjust space between Asian text and numbers

Formatted: Default Paragraph Font

Formatted: Default Paragraph Font

Formatted: Default Paragraph Font

Formatted: English (United Kingdom)

Formatted: Don't keep with next

Formatted: Font: Cambria, English (United Kingdom)

Formatted: List Continue 1

Formatted: Adjust space between Latin and Asian text, Adjust space between Asian text and numbers

Formatted: English (United Kingdom)

Field Code Changed

Formatted: FooterPageRomanNumber



## Rubber, vulcanized — Determination of adhesion to wire cord

**WARNING 1** — Persons using this document should be familiar with normal laboratory practice. This document does not purport to address all of the safety problems, if any, associated with its use. It is the responsibility of the user to establish appropriate safety and health practices and to ensure compliance with any national regulatory conditions.

**WARNING 2** — Certain procedures specified in this document might involve the use or generation of substances, or the generation of waste, that could constitute a local environmental hazard. Reference should be made to appropriate documentation on safe handling and disposal after use.

### 1 Scope

This document specifies two methods for determining the adhesion strength of vulcanized rubber to wire cord which is embedded in the rubber.

The two methods do not necessarily give the same results.

They are applicable primarily to test pieces prepared in the laboratory under standard conditions and used for the development and control of materials and processes utilized in the manufacture of products reinforced with wire cord.

**NOTE** The methods can also be used for single wire, for example bead wire.

Method 1 reduces the dependence of the measured adhesion on the modulus and strength properties of the rubber.

### 2 Normative references

The following documents are referred to in the text in such a way that some or all of their content constitutes requirements of this document. For dated references, only the edition cited applies. For undated references, the latest edition of the referenced document (including any amendments) applies.

ISO 2393, Rubber test mixes — Preparation, mixing and vulcanization — Equipment and procedures

ISO 5893, Rubber and plastics test equipment — Tensile, flexural and compression types (constant rate of traverse) — Specification

ISO 18899:2013, Rubber — Guide to the calibration of test equipment

ISO 23529, Rubber — General procedures for preparing and conditioning test pieces for physical test methods

### 3 Terms and definitions

No terms and definitions are listed in this document.

ISO and IEC maintain terminology databases for use in standardization at the following addresses:

— ISO Online browsing platform: available at <https://www.iso.org/obp>

— IEC Electropedia: available at <https://www.electropedia.org/>

**Formatted:** Main Title 1, Space After: 0 pt, Adjust space between Latin and Asian text, Adjust space between Asian text and numbers

**Formatted:** Adjust space between Latin and Asian text, Adjust space between Asian text and numbers

**Formatted:** Adjust space between Latin and Asian text, Adjust space between Asian text and numbers, Tab stops: Not at 0.7 cm + 1.4 cm + 2.1 cm + 2.8 cm + 3.5 cm + 4.2 cm + 4.9 cm + 5.6 cm + 6.3 cm + 7 cm

**Formatted:** Adjust space between Latin and Asian text, Adjust space between Asian text and numbers

**Formatted:** Default Paragraph Font

**Formatted:** Adjust space between Latin and Asian text, Adjust space between Asian text and numbers, Tab stops: Not at 0.7 cm + 1.4 cm + 2.1 cm + 2.8 cm + 3.5 cm + 4.2 cm + 4.9 cm + 5.6 cm + 6.3 cm + 7 cm

**Formatted:** Default Paragraph Font

**Formatted:** Default Paragraph Font

**Formatted:** Default Paragraph Font

**Formatted:** Default Paragraph Font

**Formatted:** Default Paragraph Font

**Formatted:** Default Paragraph Font

**Formatted:** Default Paragraph Font

**Formatted:** Default Paragraph Font

**Formatted:** Default Paragraph Font

**Formatted:** Default Paragraph Font

**Formatted:** Default Paragraph Font

**Formatted:** Default Paragraph Font

**Formatted:** Adjust space between Latin and Asian text, Adjust space between Asian text and numbers

**Formatted:** Adjust space between Latin and Asian text, Adjust space between Asian text and numbers, Tab stops: Not at 0.7 cm + 1.4 cm + 2.1 cm + 2.8 cm + 3.5 cm + 4.2 cm + 4.9 cm + 5.6 cm + 6.3 cm + 7 cm

## 4 Principle

The adhesion strength is determined by measuring the force required to pull out a single cord from the surrounding rubber of a prepared test piece. The force is directed along the axis of the cord, using a test jig containing a suitably chosen circular- or square-shaped hole to ensure uniformity of stress.

Test pieces of cord and rubber are prepared together by vulcanizing them under pressure.

In method 1, the exterior surface of the rubber is suitably reinforced.

In method 2, such reinforcement is not employed.

## 5 Materials

**5.1 Wire cord**, conforming to the specification of the bonding system to be investigated. If no specification is given, brass-plated steel cord of construction  $(1 \times 3 \times 0,15) \text{ mm} + (6 \times 0,27) \text{ mm}$  or of construction  $(7 \times 4 \times 0,22) \text{ mm}$  shall be used.

NOTE The sizes of the cords are defined here in terms of their diameter and the number of component wires, starting from the centre core of the cord.

For quality control of cord, it shall be tested in the condition received, i.e. neither cleaned nor dried.

It is essential that the wire cord be stored in a dry atmosphere to prevent any surface deterioration. Storage can conveniently be carried out in an airtight container which also contains a desiccating material (for example, silica,  $\text{SiO}_2$ ). The container shall only be opened when removing wire cord and shall then be closed immediately. It is also essential that the cord not be contaminated with dust from the desiccating material.

**5.2 Unvulcanized rubber compound**, conforming to the specification of the bonding system to be investigated. Whenever possible, the rubber shall be freshly milled. If for any reason the rubber cannot be remilled, the surface shall be freshened by wiping with a solvent and allowed to dry. The preferred solvent is heptane, but a suitable alternative could be a petroleum solvent with a distillation range of about  $65 \text{ }^\circ\text{C}$  to  $125 \text{ }^\circ\text{C}$ ; these solvents shall possess a maximum residue on evaporation of  $3 \text{ mg per } 100 \text{ cm}^3$  of solvent. The compound shall be stored at a standard laboratory temperature of  $(23 \pm 2) \text{ }^\circ\text{C}$  or  $(27 \pm 2) \text{ }^\circ\text{C}$  prior to use. It can be in the form of a calendered sheet of suitable thickness and shall be protected by a dark-coloured polyethylene film.

**5.3 Reinforcement material**, to stiffen the rubber block. This applies only to method 1. The reinforcement can either be a sheet metal strip treated with adhesive promoter (when the thickness  $t$  is at least  $0,5 \text{ mm}$ ) or a strip of rigid rubberized steel cord fabric. A suitable fabric is one containing steel cords of high bending stiffness, for example, one of construction  $(1 \times 3 \times 0,30) \text{ mm} + (6 \times 0,38) \text{ mm}$  [when the thickness  $t$  is  $(2,5 \pm 0,1) \text{ mm}$  maximum].

## 6 Apparatus

**6.1 Mould**, capable of producing a test piece in which a multiplicity of cords is embedded equally spaced along its length. Different moulds are employed for the two methods.

### a) Method 1

The mould is of a semi-follow-on type to obtain maximum consolidation of rubber around the cord during the pressing stage, but thereafter becomes a fixed-cavity mould.

Formatted: Font: 11 pt, Bold

Formatted: HeaderCentered, Space After: 0 pt, Line spacing: single

Formatted: Font: 11 pt, Bold

Formatted: Font: 11 pt, Bold

Formatted: Adjust space between Latin and Asian text, Adjust space between Asian text and numbers

Formatted: Adjust space between Latin and Asian text, Adjust space between Asian text and numbers, Tab stops: Not at 0.7 cm + 1.4 cm + 2.1 cm + 2.8 cm + 3.5 cm + 4.2 cm + 4.9 cm + 5.6 cm + 6.3 cm + 7 cm

Formatted: Adjust space between Latin and Asian text, Adjust space between Asian text and numbers

Formatted: Subscript, Not Raised by / Lowered by

Formatted: Adjust space between Latin and Asian text, Adjust space between Asian text and numbers, Tab stops: Not at 0.7 cm + 1.4 cm + 2.1 cm + 2.8 cm + 3.5 cm + 4.2 cm + 4.9 cm + 5.6 cm + 6.3 cm + 7 cm

Formatted: Superscript, Not Raised by / Lowered by

Formatted: Adjust space between Latin and Asian text, Adjust space between Asian text and numbers

Formatted: Adjust space between Latin and Asian text, Adjust space between Asian text and numbers, Tab stops: Not at 0.7 cm + 1.4 cm + 2.1 cm + 2.8 cm + 3.5 cm + 4.2 cm + 4.9 cm + 5.6 cm + 6.3 cm + 7 cm

Formatted: Adjust space between Latin and Asian text, Adjust space between Asian text and numbers

Formatted: FooterPageRomanNumber



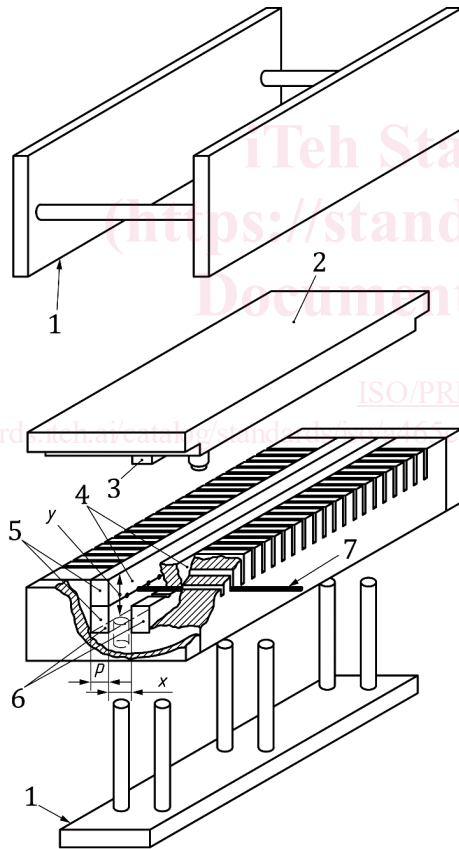
Formatted: Font: 11 pt, Bold  
 Formatted: Font: 11 pt, Bold  
 Formatted: HeaderCentered, Left, Space After: 0 pt, Line spacing: single  
 Formatted: Font: 11 pt, Bold

One suitable mould designed to accommodate steel cord fabric reinforcement is shown in Figure 1. This mould produces test pieces of length 310 mm containing 21 cords, but similar moulds employing other numbers of cords greater than nine are acceptable. The mould dimension  $x$  will depend on the embedded length of test piece required (which is governed by the diameter of wire cord used, see 8.2). The mould shall be provided with pairs of inserts or spacers to obtain the different lengths of cord embedment. Dimension  $y$  is sufficiently great to allow the incorporation of excess rubber during moulding (see 8.3.1).

Another suitable mould designed to accommodate steel strip reinforcement is shown in Figure 2. A tensioning device for the cords can be used with this mould. Figure 3 details some mould dimensions and describes the exchangeable steel spacers which are required for different cord sizes for the moulds shown in Figures 1 and 2.

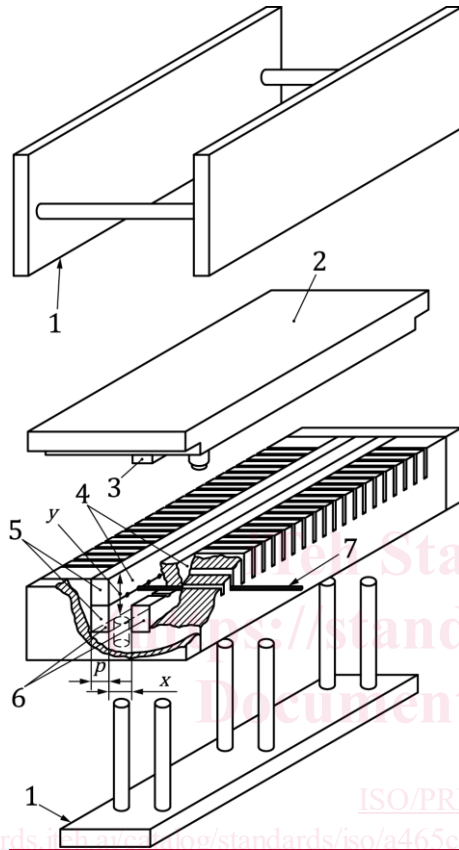
Any mould producing test pieces of the correct dimensions and applying the moulding force directly on to the rubber, for example by use of a suitable spring, is also acceptable.

If desired, the moulds can impart suitable features on to the moulded test piece to facilitate cord centring during subsequent testing.



ISO/PRF 5603  
<https://standards.iteh.ai/standards/iso-prf-5603-2023/iso-prf-5603-2023-e8-c8e0-4271-a0ff-645d0347f6b/iso-prf-5603>

Formatted: FooterPageRomanNumber



Key

- |                       |                          |
|-----------------------|--------------------------|
| 1. extraction tool    | 5. pair of steel spacers |
| 2. semi-follow-on lid | 6. bottom spacers        |
| 3. ram                | 7. steel cord            |
| 4. top spacers        |                          |

Figure 1 — Layout of one type of semi-follow-on mould and its extraction tools for method 1

Dimensions in millimetres

Formatted: Font: 11 pt, Bold

Formatted: HeaderCentered, Space After: 0 pt, Line spacing: single

Formatted: Font: 11 pt, Bold

Formatted: Font: 11 pt, Bold

Formatted: Space After: 3 pt, Adjust space between Latin and Asian text, Adjust space between Asian text and numbers, Tab stops: Not at 0.71 cm + 1.4 cm + 2.1 cm + 2.8 cm + 3.5 cm + 4.2 cm + 4.9 cm + 5.6 cm + 6.3 cm + 7 cm

Formatted: Font: 9 pt

Formatted: Font: 9 pt

Formatted: Font: 9 pt

Formatted: Font: 9 pt

Formatted Table

Formatted: Space After: 3 pt, Adjust space between Latin and Asian text, Adjust space between Asian text and numbers, Tab stops: Not at 0.71 cm + 1.4 cm + 2.1 cm + 2.8 cm + 3.5 cm + 4.2 cm + 4.9 cm + 5.6 cm + 6.3 cm + 7 cm

Formatted: Font: 9 pt

Formatted: Font: 9 pt

Formatted: Font: 9 pt

Formatted: Font: 9 pt

Formatted: Space After: 3 pt, Adjust space between Latin and Asian text, Adjust space between Asian text and numbers, Tab stops: Not at 0.71 cm + 1.4 cm + 2.1 cm + 2.8 cm + 3.5 cm + 4.2 cm + 4.9 cm + 5.6 cm + 6.3 cm + 7 cm

Formatted: Font: 9 pt

Formatted: Font: 9 pt

Formatted: Font: 9 pt

Formatted: Font: 9 pt

Formatted

Formatted: Font: 9 pt

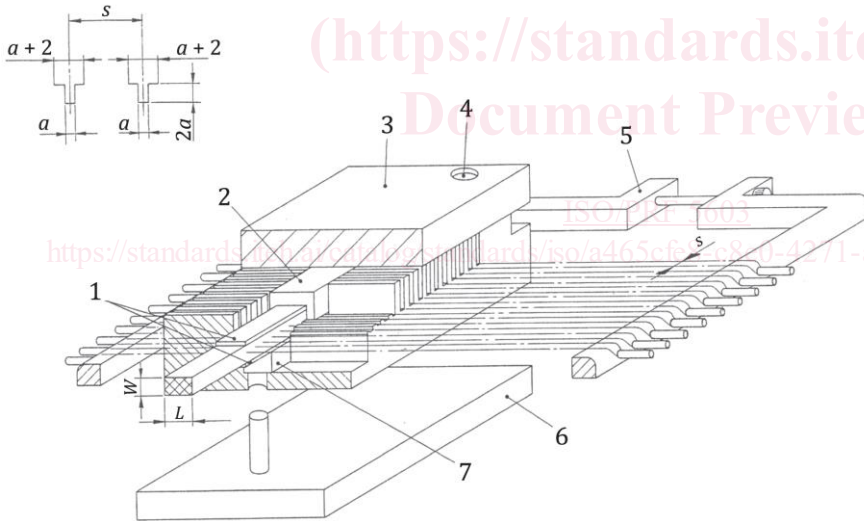
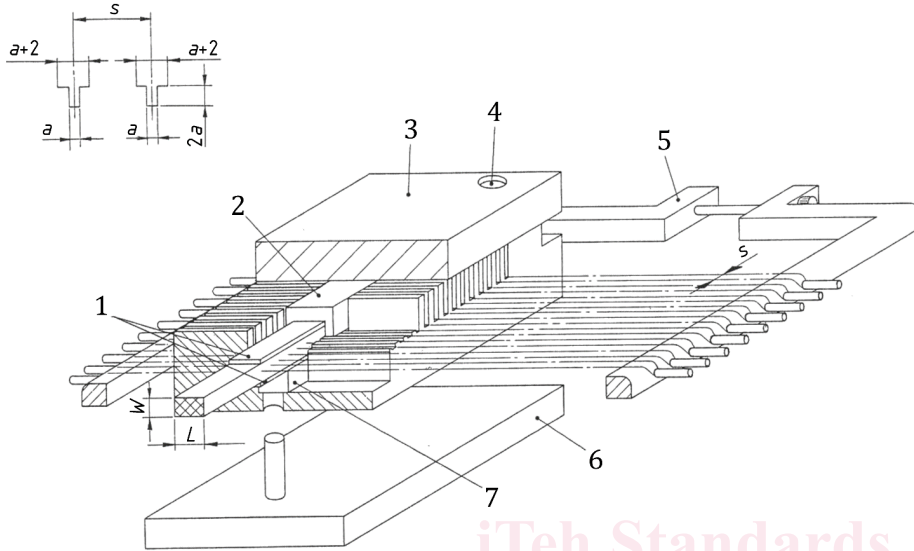
Formatted: Font: 9 pt

Formatted: Font: 9 pt

Formatted: Font: 9 pt

Formatted

Formatted: FooterPageRomanNumber



**Key**

- 1 metal reinforcement sheets (thickness  $t$ )
- 2 upper ledge/spacer
- 3 cover plate
- 4 centring bolts

Formatted: Font: 11 pt, Bold

Formatted: HeaderCentered, Left, Space After: 0 pt, Line spacing: single

Formatted: Font: 11 pt, Bold

Formatted: Font: 11 pt, Bold

Formatted: Adjust space between Latin and Asian text, Adjust space between Asian text and numbers, Tab stops: Not at 0.71 cm + 1.4 cm + 2.1 cm + 2.8 cm + 3.5 cm + 4.2 cm + 4.9 cm + 5.6 cm + 6.3 cm + 7 cm

Formatted: Font: 9 pt

Formatted: Font: 9 pt

Formatted Table

Formatted: Adjust space between Latin and Asian text, Adjust space between Asian text and numbers, Tab stops: Not at 0.71 cm + 1.4 cm + 2.1 cm + 2.8 cm + 3.5 cm + 4.2 cm + 4.9 cm + 5.6 cm + 6.3 cm + 7 cm

Formatted: Font: 9 pt

Formatted: Font: 9 pt

Formatted: Adjust space between Latin and Asian text, Adjust space between Asian text and numbers, Tab stops: Not at 0.71 cm + 1.4 cm + 2.1 cm + 2.8 cm + 3.5 cm + 4.2 cm + 4.9 cm + 5.6 cm + 6.3 cm + 7 cm

Formatted: Font: 9 pt

Formatted: Font: 9 pt

Formatted: Adjust space between Latin and Asian text, Adjust space between Asian text and numbers, Tab stops: Not at 0.71 cm + 1.4 cm + 2.1 cm + 2.8 cm + 3.5 cm + 4.2 cm + 4.9 cm + 5.6 cm + 6.3 cm + 7 cm

Formatted: Font: 9 pt

Formatted: Font: 9 pt

Formatted: FooterPageRomanNumber