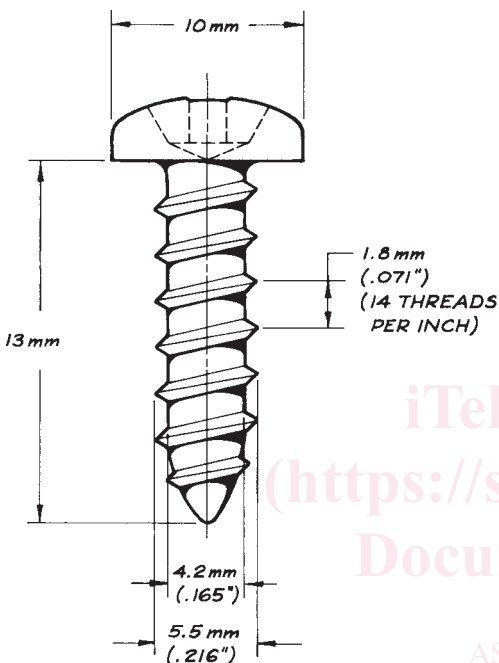




Designation: F 475 – 77 (Reapproved 1998)

Standard Specification for Test Screw Used in Screw-Retention Test of Binding Mounting Area on Alpine Skis¹

This standard is issued under the fixed designation F 475; the number immediately following the designation indicates the year of original adoption or, in the case of revision, the year of last revision. A number in parentheses indicates the year of last reapproval. A superscript epsilon (ϵ) indicates an editorial change since the last revision or reapproval.



NOTE 1—Thread forming Type A_B, No. 12. English dimensions based on USA Standard Thread Type AB No. 12. Metric dimensions based on ISO Form AB No. 12 (1478 ISO draft number). Also metric equivalent DIN7970 Form B nominal diameter 5.5 mm.

FIG. 1 Test Screw

The American Society for Testing and Materials takes no position respecting the validity of any patent rights asserted in connection with any item mentioned in this standard. Users of this standard are expressly advised that determination of the validity of any such patent rights, and the risk of infringement of such rights, are entirely their own responsibility.

This standard is subject to revision at any time by the responsible technical committee and must be reviewed every five years and if not revised, either reapproved or withdrawn. Your comments are invited either for revision of this standard or for additional standards and should be addressed to ASTM Headquarters. Your comments will receive careful consideration at a meeting of the responsible technical committee, which you may attend. If you feel that your comments have not received a fair hearing you should make your views known to the ASTM Committee on Standards, at the address shown below.

This standard is copyrighted by ASTM, 100 Barr Harbor Drive, PO Box C700, West Conshohocken, PA 19428-2959, United States. Individual reprints (single or multiple copies) of this standard may be obtained by contacting ASTM at the above address or at 610-832-9585 (phone), 610-832-9555 (fax), or service@astm.org (e-mail); or through the ASTM website (www.astm.org).

1. Scope

1.1 This specification covers the screw to be used in the test described in Specification F 474. Because of the dependence of the test results on screw dimensions, a standard test screw is needed to obtain reproducible numbers.²

2. Referenced Documents

2.1 *ASTM Standards:*
F 474 Specification for Static Screw-Retention Strength of Binding Mounting Area on Alpine Skis³

3. Dimensions

3.1 The dimensions shall be in accordance with Fig. 1.

¹ This specification is under the jurisdiction of ASTM Committee F-27 on Snow Skiing and is the direct responsibility of Subcommittee F27.30 on Alpine and Cross Country Ski Dimensions and Characteristics.

Current edition approved Jan. 24, 1977. Published April 1977. Originally published as F 475 – 77. Last previous edition F 475 – 77 (1987) ϵ^1 .

² It is desired that the test screw be identical to a standard binding mounting screw. If such a screw is developed and accepted, this specification will be revised to adopt it as the standard screw.

³ *Annual Book of ASTM Standards*, Vol 15.07.