



SLOVENSKI STANDARD
SIST EN 12259-2:2000/A1:2001
01-oktober-2001

J[fUŸbYbUdfUj Y'nU[UýYbŸ! 'GYghUj b]XY]gdf]b_`Yfg_] \ 'g]ghŸa cj]b'g]ghŸa cj `g
dfýY c`j cXc`! '&"XY. 'Ac_f]UŸfa b]j Ybh`]

Fixed firefighting systems - Components for sprinkler and water spray systems - Part 2:
Wet alarm valve assemblies

Ortsfeste Löschanlagen - Bauteile für Sprinkler- und Sprühwasseranlagen - Teil 2:
Nassalarmventil mit Zubehör

Installations fixes de lutte contre l'incendie - Composants des systemes d'extinction du
type sprinkleur et a pulvérisation d'eau - Partie 2: Systemes de soupape d'alarme
hydraulique

<https://standards.iteh.ai/catalog/standards/sist/0ed30952-0c3b-497c-87c4-5548a8d07644/sist-en-12259-2-2000-a1-2001>

Ta slovenski standard je istoveten z: EN 12259-2:1999/A1:2001

ICS:

13.220.10 Gašenje požara Fire-fighting

SIST EN 12259-2:2000/A1:2001 en

iTeh STANDARD PREVIEW
(standards.iteh.ai)

[SIST EN 12259-2:2000/A1:2001](https://standards.iteh.ai/catalog/standards/sist/0ed30952-0c3b-497c-87c4-5548a8d07644/sist-en-12259-2-2000-a1-2001)

<https://standards.iteh.ai/catalog/standards/sist/0ed30952-0c3b-497c-87c4-5548a8d07644/sist-en-12259-2-2000-a1-2001>

EUROPEAN STANDARD
NORME EUROPÉENNE
EUROPÄISCHE NORM

EN 12259-2:1999/A1

March 2001

ICS 13.220.20

English version

Fixed firefighting systems - Components for sprinkler and water spray systems - Part 2: Wet alarm valve assemblies

Installations fixes de lutte contre l'incendie - Composants des systèmes d'extinction du type sprinkleur et à pulvérisation d'eau - Partie 2: Systèmes de soupape d'alarme hydraulique

Ortsfeste Löschanlagen - Bauteile für Sprinkler- und Sprühwasseranlagen - Teil 2: Nassalarmventil mit Zubehör

This amendment A1 modifies the European Standard EN 12259-2:1999; it was approved by CEN on 20 January 2001.

CEN members are bound to comply with the CEN/CENELEC Internal Regulations which stipulate the conditions for inclusion of this amendment into the relevant national standard without any alteration. Up-to-date lists and bibliographical references concerning such national standards may be obtained on application to the Management Centre or to any CEN member.

This amendment exists in three official versions (English, French, German). A version in any other language made by translation under the responsibility of a CEN member into its own language and notified to the Management Centre has the same status as the official versions.

CEN members are the national standards bodies of Austria, Belgium, Czech Republic, Denmark, Finland, France, Germany, Greece, Iceland, Ireland, Italy, Luxembourg, Netherlands, Norway, Portugal, Spain, Sweden, Switzerland and United Kingdom.

[SIST EN 12259-2:2000/A1:2001](https://standards.iteh.ai/catalog/standards/sist/0ed30952-0c3b-497c-87c4-5548a8d07644/sist-en-12259-2-2000-a1-2001)

<https://standards.iteh.ai/catalog/standards/sist/0ed30952-0c3b-497c-87c4-5548a8d07644/sist-en-12259-2-2000-a1-2001>



EUROPEAN COMMITTEE FOR STANDARDIZATION
COMITÉ EUROPÉEN DE NORMALISATION
EUROPÄISCHES KOMITEE FÜR NORMUNG

Management Centre: rue de Stassart, 36 B-1050 Brussels

iTeh STANDARD PREVIEW
(standards.iteh.ai)

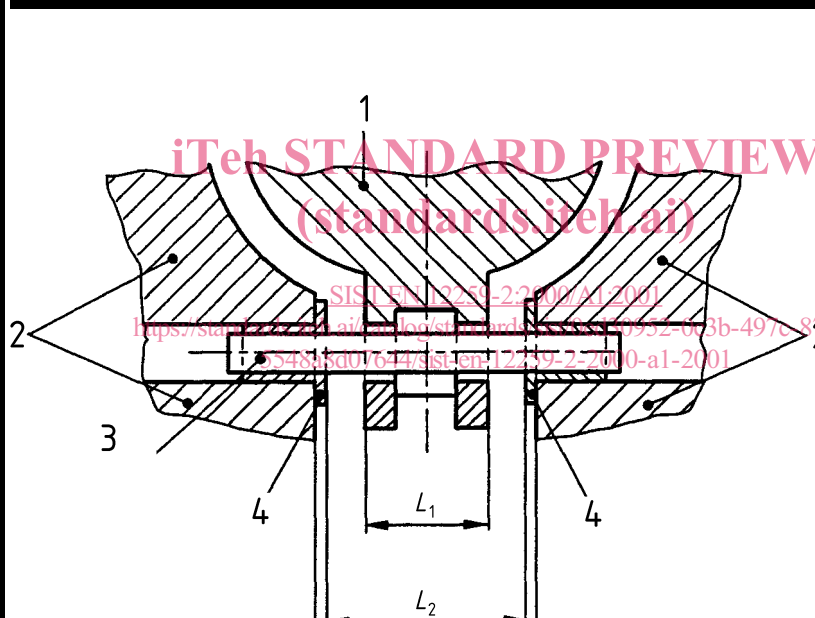
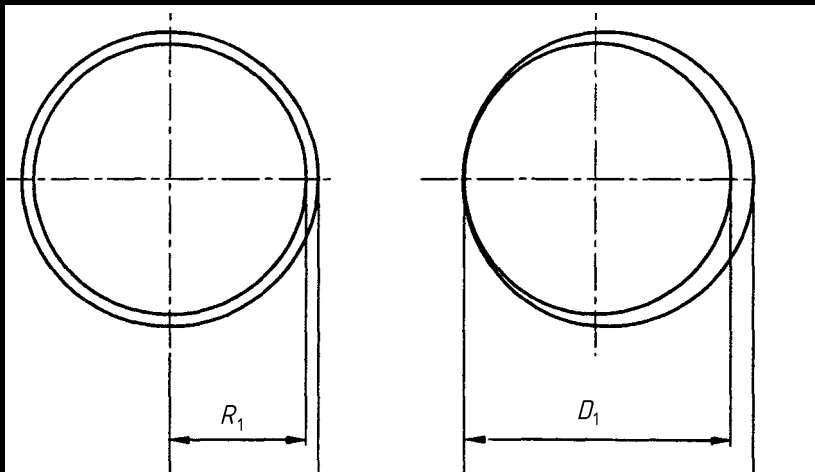
SIST EN 12259-2:2000/A1:2001

<https://standards.iteh.ai/catalog/standards/sist/0ed30952-0c3b-497c-87c4-5548a8d07644/sist-en-12259-2-2000-a1-2001>

iTeh STANDARD PREVIEW
(standards.iteh.ai)

SIST EN 12259-2:2000/A1:2001

<https://standards.iteh.ai/catalog/standards/sist/0ed30952-0c3b-497c-87c4-5548a8d07644/sist-en-12259-2-2000-a1-2001>



c) Total axial clearance = $l_2 - l_1$; clearance,

$$\text{Dimension } A = \frac{l_3 - l_2}{2}$$

iTeh STANDARD PREVIEW
(standards.iteh.ai)

SIST EN 12259-2:2000/A1:2001

<https://standards.iteh.ai/catalog/standards/sist/0ed30952-0c3b-497c-87c4-5548a8d07644/sist-en-12259-2-2000-a1-2001>

iTeh STANDARD PREVIEW
(standards.iteh.ai)

[SIST EN 12259-2:2000/A1:2001](https://standards.iteh.ai/catalog/standards/sist/0ed30952-0c3b-497c-87c4-5548a8d07644/sist-en-12259-2-2000-a1-2001)

<http://europa.eu.int>

<https://standards.iteh.ai/catalog/standards/sist/0ed30952-0c3b-497c-87c4-5548a8d07644/sist-en-12259-2-2000-a1-2001>

iTeh STANDARD PREVIEW
(standards.iteh.ai)

SIST EN 12259-2:2000/A1:2001

<https://standards.iteh.ai/catalog/standards/sist/0ed30952-0c3b-497c-87c4-5548a8d07644/sist-en-12259-2-2000-a1-2001>