



Designation: **D6683—08 D6683 – 14**

# Standard Test Method for Measuring Bulk Density Values of Powders and Other Bulk Solids as Function of Compressive Stress<sup>1</sup>

This standard is issued under the fixed designation D6683; the number immediately following the designation indicates the year of original adoption or, in the case of revision, the year of last revision. A number in parentheses indicates the year of last reapproval. A superscript epsilon ( $\epsilon$ ) indicates an editorial change since the last revision or reapproval.

## 1. Scope\*

1.1 This test method covers an apparatus and procedure for determining a range of bulk densities of powders and other bulk solids as a function of compressive stress.

1.2 This test method should be performed in the laboratory under controlled conditions of temperature and humidity.

1.3 All observed and calculated values shall conform to the guidelines for significant digits and rounding established in Practice **D6026**.

1.3.1 The procedures used to specify how data are collected/recorded or calculated in this standard are regarded as the industry standard. In addition, they are representative of the significant digits that generally should be retained. The procedures used do not consider material variation, purpose for obtaining the data, special purpose studies, or any considerations for the user's objectives, and it is common practice to increase or reduce significant digits of reported data to be commensurate with these considerations. It is beyond the scope of this standard to consider significant digits used in analysis methods for engineering design.

1.4 Units—The values stated in SI units are to be regarded as standard. No other units of ~~measurement~~measure are included in this standard.

1.5 *This standard does not purport to address all of the safety concerns, if any, associated with its use. It is the responsibility of the user of this standard to establish appropriate safety and health practices and determine the applicability of regulatory limitations prior to use.*

## 2. Referenced Documents

2.1 *ASTM Standards:*<sup>2</sup>

**D653** Terminology Relating to Soil, Rock, and Contained Fluids

**D2216** Test Methods for Laboratory Determination of Water (Moisture) Content of Soil and Rock by Mass

**D3740** Practice for Minimum Requirements for Agencies Engaged in Testing and/or Inspection of Soil and Rock as Used in Engineering Design and Construction

**D4753** Guide for Evaluating, Selecting, and Specifying Balances and Standard Masses for Use in Soil, Rock, and Construction Materials Testing

**D6026** Practice for Using Significant Digits in Geotechnical Data

## 3. Terminology

3.1 Definitions—For common definitions of terms in this standard, refer to Terminology **D653**.

3.2 *Definitions of Terms Specific to This Standard:*

3.2.1 maximum effective head—head, n—in powders, height of a column of material that has no shear stresses along its vertical walls. Used in calculation of maximum applied mass, this value can be approximated, for example, by using the height of the cylindrical section of the bin to be analyzed, m.

3.3 *Symbols:*

3.3.1  $A_{cup}$ —inside cross-sectional area of density cup, m<sup>2</sup>.

<sup>1</sup> This test method is under the jurisdiction of ASTM Committee **D18** on Soil and Rock and is the direct responsibility of Subcommittee **D18.24** on Characterization and Handling of Powders and Bulk Solids.

Current edition approved ~~June 1, 2008~~ May 1, 2014. Published ~~July 2008~~ June 2014. Originally approved in 2001. Last previous edition approved in ~~2004~~ 2008 as **D6683—04**; **D6683 – 08**. DOI: ~~10.1520/D6683-08~~ 10.1520/D6683-14.

<sup>2</sup> For referenced ASTM standards, visit the ASTM website, www.astm.org, or contact ASTM Customer Service at service@astm.org. For *Annual Book of ASTM Standards* volume information, refer to the standard's Document Summary page on the ASTM website.

\*A Summary of Changes section appears at the end of this standard

- 3.3.2  $AM_{max}$ —calculated value of maximum applied mass, kg.
- 3.3.3  $D_{cup}$ —inside diameter of density cup, m.
- 3.3.4  $EH_{max}$ —maximum effective head to be applied to material in density cup, m.
- 3.3.5  $M_{mat,i}$ —mass of material in density cup, kg.
- 3.3.6  $V_i$ —calculated volume of material in density cup at  $i^{\text{th}}$  consolidation step,  $\text{m}^3$ .
- 3.3.7  $(\rho_b)_{approx}$ —approximate value of material's bulk density used in calculation of maximum applied mass,  $\text{kg}/\text{m}^3$ .
- 3.3.8  $(\rho_b)_i$ —calculated bulk density value at  $i^{\text{th}}$  consolidation step,  $\text{kg}/\text{m}^3$ .
- 3.3.9  $(\rho_b)_{initial}$ —calculated initial bulk density value,  $\text{kg}/\text{m}^3$ .
- ~~3.3.10  $\pi$ —a transcendental number, approximately 3.14.~~
- 3.3.10  $\sigma_i$ —calculated compressive stress at  $i^{\text{th}}$  consolidation step,  $\text{N}/\text{m}^2$ .
- 3.3.11  $\sigma_{max}$ —maximum compressive stress to be applied to material in density cup,  $\text{N}/\text{m}^2$ .

#### 4. Summary of Test Method

4.1 Bulk density values are determined by calculating the volume of a given mass of bulk solid under increasing compressive stress.

#### 5. Significance and Use

5.1 The data from this test can be used to estimate the bulk density of materials in bins and hoppers and for material handling applications such as feeders.

5.2 The test results can be greatly affected by the sample selected for testing. For meaningful results it is necessary to select a representative sample of the particulate solid with respect to moisture (water) content, particle-size distribution and temperature. For the tests an appropriate size sample should be available, and fresh material should be used for each individual test specimen.

5.3 Initial bulk density,  $(\rho_b)_{initial}$ , may or may not be used as the minimum bulk density. This will depend on the material being tested. For example, the two are often close to the same for coarse (most particles larger than about 6 mm), free-flowing bulk solids, but not for fine, aeratable powders.

5.4 Bulk density values may be dependent upon the magnitude of the applied mass increments. Traditionally, the applied mass is doubled for each increment resulting in an applied mass increment ratio of 1. Smaller than standard increment ratios may be desirable for materials that are highly sensitive to the applied mass increment ratio. An example of the latter is a material whose bulk density increases 10% or more with each increase in applied mass.

5.5 Bulk density values may be dependent upon the duration of each applied mass. Traditionally, the duration is the same for each increment and equal to 15 s. For some materials, the rate of compression is such that complete compression (no change in volume with time at a given applied compressive stress) will require significantly more than 15 s.

NOTE 1—The quality of the result produced by this standard is dependent on the competence of personnel performing it, and the suitability of the equipment and facilities used. Agencies that meet the criteria of Practice D3740 are generally considered capable of competent and objective testing/sampling/inspection/etc. Users of this standard are cautioned that compliance with Practice D3740 does not in itself assure reliable results. Reliable results depend on many factors; Practice D3740 provides a means of evaluating some of those factors. Practice D3740 was developed for agencies engaged in the testing or inspection (or both) of soil and rock. As such it is not totally applicable to agencies performing this standard. However, users of this standard should recognize that the framework of Practice D3740 is appropriate for evaluating the quality of an agency performing this standard. Currently there is no known qualifying national authority that inspects agencies that perform this standard.

#### 6. Apparatus

6.1 A typical embodiment of the test apparatus is shown in Fig. 1.

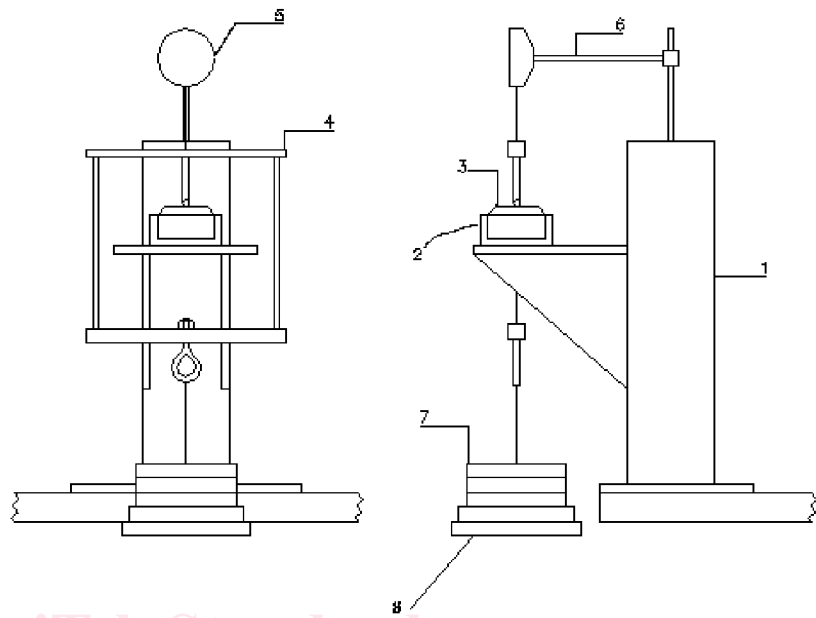
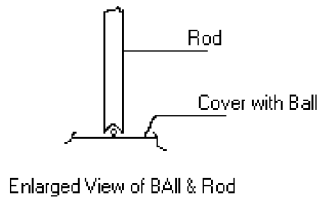
6.2 *Balance*, having a capacity and readability to determine mass of the specimen and applied masses to four significant digits in accordance with Table 1 in Guide D4753.

6.3 *Stand*, to support the density cup, and to mount the dial indicator. The stand must be level and securely mounted on a vibration free base to support the test apparatus.

6.4 *Density Cup*, with cover to contain the test specimen. Density cup cover has a ball mounted in the center, which acts as a pivot point to ensure that only a vertical force is exerted on the cover by the applied mass. The density cup is to be a cylindrical cup with the minimum cell diameter of 64 mm and a minimum inside height of 21 mm or five times the diameter of the largest particle whichever results in the larger cell height. The ratio of cell diameter-to-height must be at least 3:1.

6.5 *Applied masses*, to be used with the hanger for applying compressive stress.

6.6 *Hanger*, to support applied masses and guide load onto the density cup cover. A thin, short rod extends between the hanger and cover to prevent the hanger from coming in contact with the density cup or its cover.



- 1. Stand
- 2. Density cup
- 3. Cover
- 4. Hanger

- 5. Dial indicator
- 6. Dial indicator holder
- 7. Applied masses
- 8. Support

iTeh Standards  
(<https://standards.itih.ai>)  
Document Preview

FIG. 1 Test Apparatus

6.7 *Dial or Digital Displacement Indicator*, to measure change in height. Indicator should be able to read in 0.01 mm increments and apply negligible (if any) force on the test specimen in the density cup. The spring force from the dial indicator is assumed to be negligible in this test.

6.8 *Plug*, gauge block used to zero the dial indicator. Its length should be equal to the inside height of the density cup.

6.9 *Mass Support*, to support applied masses as they are added to compress the material.

6.10 *Scraper*, used to scrape off excess material from top of cup. It should be straight and flat, with a length in excess of cup diameter and a width of at least 15 mm.

## 7. Preparation of Apparatus

7.1 Check that the balance is set on a sturdy table or bench, level and zeroed, and its calibration/verification sticker is within requirements.

7.2 Make sure that the density cup and cover are clean and free of foreign material prior to starting each new test.

7.3 Check that the applied masses are clean of foreign material and have a known mass.

7.4 Select a minimum of five applied masses to be used according to the following procedure. Additional applied masses may be used if more data points are desired or required.

7.4.1 Calculate the maximum applied mass,  $AM_{max}$  by multiplying the material's approximate bulk density,  $(\rho_b)_{approx}$  ( $kg/m^3$ ) by maximum effective head to be applied,  $EH_{max}$  (m) times the inside cross-sectional area of the density cup,  $A_{cup}$ .

$$A_{cup} = \pi(D_{cup})^2/4, m^2$$

$$AM_{max} = (\rho_b)_{approx} (EH_{max}) (A_{cup}), kg$$

7.4.2 Alternatively, if the maximum compressive stress to be applied to the material,  $\sigma_{max}$  has been specified, the maximum applied mass,  $AM_{max}$  is calculated by multiplying  $\sigma_{max}$  by the inside cross-sectional area of the density cup,  $A_{cup}$ , and then dividing the product by the acceleration of gravity (g), where  $g = 9.81 m/s^2$

$$AM_{max} = \sigma_{max} (A_{cup})/g, kg$$