



Designation: D6241 – 14

Standard Test Method for Static Puncture Strength of Geotextiles and Geotextile- Related Products Using a 50-mm Probe¹

This standard is issued under the fixed designation D6241; the number immediately following the designation indicates the year of original adoption or, in the case of revision, the year of last revision. A number in parentheses indicates the year of last reapproval. A superscript epsilon (ϵ) indicates an editorial change since the last revision or reapproval.

1. Scope

1.1 This test method is an index test used to measure the force required to puncture a geotextile and geotextile-related products. The relatively large size of the plunger provides a multidirectional force on the geotextile.

1.2 The values stated in SI units are to be regarded as the standard. The values given in parentheses are for information only.

1.3 *This standard does not purport to address all of the safety concerns, if any, associated with its use. It is the responsibility of the user of this standard to establish appropriate safety and health practices and determine the applicability of regulatory limitations prior to use.*

2. Referenced Documents

2.1 *ASTM Standards:*²

D76/D76M Specification for Tensile Testing Machines for Textiles

D123 Terminology Relating to Textiles

D1776 Practice for Conditioning and Testing Textiles

D1883 Test Method for California Bearing Ratio (CBR) of Laboratory-Compacted Soils

D4354 Practice for Sampling of Geosynthetics and Rolled Erosion Control Products (RECPs) for Testing

D4439 Terminology for Geosynthetics

E691 Practice for Conducting an Interlaboratory Study to Determine the Precision of a Test Method

NOTE 1—Test Method D1883 describes a mold (CBR mold) that can be used for this test method.

3. Terminology

3.1 *Definitions*—For definitions of other textile terms used in this test method, refer to Terminology D123. For definitions

¹ This test method is under the jurisdiction of ASTM Committee D35 on Geosynthetics is the direct responsibility of Subcommittee D35.01 on Mechanical Properties

Current edition approved July 1, 2014. Published July 2014. Originally approved in 1998. Last previous edition approved in 2009 as D6241 – 04(2009)^{e1}. DOI: 10.1520/D6241-14.

² For referenced ASTM standards, visit the ASTM website, www.astm.org, or contact ASTM Customer Service at service@astm.org. For *Annual Book of ASTM Standards* volume information, refer to the standard's Document Summary page on the ASTM website.

of other terms relating to geosynthetics used in this test method, refer to Terminology D4439.

3.2 *Definitions of Terms Specific to This Standard:*

3.2.1 *atmosphere for testing geotextiles, n*—air maintained at a relative humidity of 50 to 70 % and a temperature of $21 \pm 2^\circ\text{C}$ ($70 \pm 4^\circ\text{F}$).

3.2.2 *geotextile, n*—a permeable geosynthetic composed solely of textiles.

3.2.3 *puncture resistance, n*—the inherent resisting mechanism of the test specimen to the failure by a penetrating or puncturing object.

4. Summary of Test Method

4.1 A test specimen is clamped without tension between circular plates and secured in a tensile or compression testing machine, or both. A force is exerted against the center of the unsupported portion of the test specimen by a steel plunger attached to the load indicator until rupture occurs. The maximum force is the value of puncture strength.

5. Significance and Use

5.1 This test method for determining the puncture strength of geotextiles is to be used by the industry as an index of puncture strength. The use of this test method is to establish an index value by providing standard criteria and a basis for uniform reporting.

5.2 This test method is considered satisfactory for acceptance testing of commercial shipments of geotextiles.

5.3 In case of a dispute arising from differences in reported test results when using this test method for acceptance testing of commercial shipments, the purchaser and the supplier should conduct comparative tests to determine if there is a statistical bias between their laboratories. Competent statistical assistance is recommended for the investigation of bias. As a minimum, the two parties should take a group of test specimens that are as homogeneous as possible and that are from a lot of the type in question. The test specimens then should be randomly assigned in equal numbers to each laboratory for testing. The average results from the two laboratories should be compared using Student's t-test for unpaired data and an acceptable probability level chosen by the two parties before

the testing is begun. If a bias is found, either its cause must be found and corrected, or the purchaser and the supplier must agree to interpret future test results in the light of the known bias.

5.4 This test method is not applicable to materials that are manufactured in sizes that are too small to be placed into the test apparatus in accordance with the procedures in this test method. Furthermore, it is not appropriate to separate plies of a geosynthetic or geocomposite for use in this test method.

6. Apparatus

6.1 *Testing Machine*, must be constant-rate-of extension (CRE) type, with autographic recorder conforming to the requirement of Specification D76/D76M.

6.2 *Plunger*, with a flat diameter of 50 ± 1 mm with a radial edge of 2.5 ± 0.5 mm. See Fig. 1.

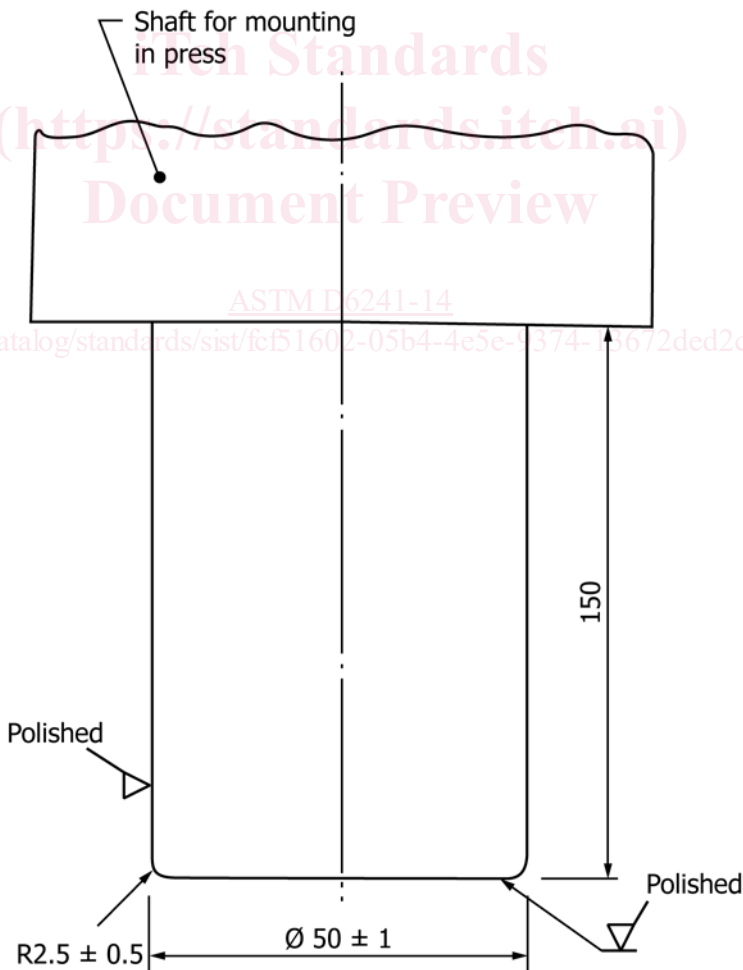
6.3 *Clamping Apparatus*, consisting of concentric plates with an internal diameter of 150 mm (5.9 in.), capable of clamping the test specimen without slippage (limit slippage of test specimen to 5 mm). The external diameter is suggested to be 250 mm (9.8 in.). The diameter of the holes used for

securing the ring clamp assemblage is suggested to be 11 mm (7/16 in.) and equally spaced at a diameter of 220 mm (8.7 in.). The surfaces of these plates can consist of grooves with rubber O-rings or coarse sandpaper bonded onto opposing surfaces. It is suggested that 9.5-mm (3/8-in.) bolts be welded to the bottom plate so that the top plate can be placed over the bolts and nuts easily tightened. A guide block may be used to help seat the material being clamped. Other clamps that eliminate slippage are acceptable. See Fig. 2 and Fig. 3.

7. Sampling

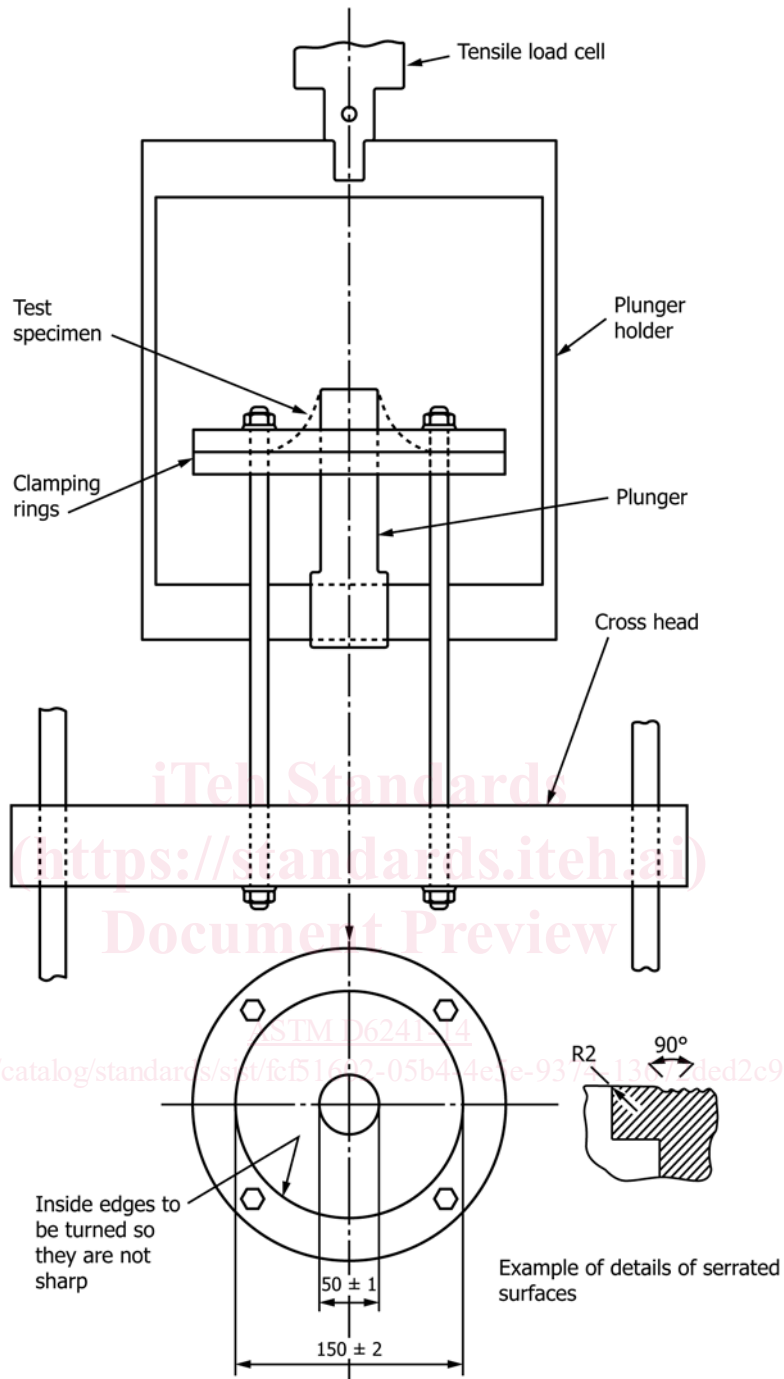
7.1 *Lot Sample*—In the absence of other guidelines, divide the product into lots and take lot samples as specified in Practice D4354.

7.2 *Laboratory Sample*—Consider the units in the lot sample as the units in the laboratory sample. For the laboratory sample, take a full width sample of sufficient length along the selvage or edge of the roll so that the requirements of 7.3 through 7.5.2 can be met. Exclude the inner and outer wraps of the roll or any material containing folds, crushed areas, or other distortions not representative of the sample lot.



NOTE 1—All dimensions are in millimetres.
 NOTE 2—This diagram is not to scale.

FIG. 1 Plunger



NOTE 1—All dimensions are in millimetres.

NOTE 2—This diagram is not to scale.

FIG. 2 Typical Arrangement for Test on Tensile Testing Machine (Method A)

7.3 Remove test specimens from the laboratory sample in a randomly distributed pattern across the width with no specimen taken nearer the selvage of fabric edge than 1/20 of the fabric width or 150 mm (6 in.), whichever is the smaller, unless otherwise specified.

7.4 *Test Specimens*—From each unit in the laboratory sample, cut the specimens so that the edge of specimen will extend beyond the edge of the clamp by 10 mm (0.39 in.) in all directions.