



Designation: D3702 – 94 (Reapproved 2014)

# Standard Test Method for Wear Rate and Coefficient of Friction of Materials in Self- Lubricated Rubbing Contact Using a Thrust Washer Testing Machine<sup>1</sup>

This standard is issued under the fixed designation D3702; the number immediately following the designation indicates the year of original adoption or, in the case of revision, the year of last revision. A number in parentheses indicates the year of last reapproval. A superscript epsilon ( $\epsilon$ ) indicates an editorial change since the last revision or reapproval.

## 1. Scope

1.1 This test method covers the determination of wear rate and coefficient of friction for self-lubricated materials in rubbing contact by a testing machine<sup>2</sup> that utilizes a thrust washer specimen configuration.

NOTE 1—This machine may also be used to measure coefficient of friction.

1.2 The values in SI units are to be regarded as the standard. In cases where materials, products, or equipment are available only in inch-pound units, SI values in parentheses are for information only.

1.3 *This standard does not purport to address all of the safety concerns, if any, associated with its use. It is the responsibility of the user of this standard to establish appropriate safety and health practices and determine the applicability of regulatory limitations prior to use.*

## 2. Terminology

### 2.1 Definitions:

2.1.1 *coefficient of friction,  $\mu$  or  $f$ —in tribology*—the dimensionless ratio of the friction force ( $F$ ) between two bodies to the normal force ( $N$ ) pressing these bodies together.

$$\mu \text{ or } f = (F/N) \quad (1)$$

2.1.1.1 *Discussion*—A distinction is often made between static coefficient of friction and kinetic coefficient of friction.

2.1.2 *wear*—damage to a solid surface, generally involving progressive loss of material, due to relative motion between that surface and a contacting substance or substances.

<sup>1</sup> This test method is under the jurisdiction of ASTM Committee D02 on Petroleum Products, Liquid Fuels, and Lubricants and is the direct responsibility of Subcommittee D02.L0.05 on Solid Lubricants.

Current edition approved May 1, 2014. Published July 2014. Originally approved in 1978. Last previous edition approved in 2009 as D3702–94 (2009). DOI: 10.1520/D3702-94R14.

<sup>2</sup> An example known to the committee at this time is the Falex Multispecimen Test Machine, available from Falex Corp., 1020 Airpark Drive, Sugar Grove, IL 60554. This manufacturer recommends a maximum test load of 808 lb (367 kg). If you are aware of alternative suppliers, please provide this information to ASTM International Headquarters. Your comments will receive careful consideration at a meeting of the responsible technical committee,<sup>1</sup> which you may attend.

2.1.3 *wear rate*—the rate of material removal or dimensional change due to wear per unit of exposure parameter; for example, quantity of material removed (mass, volume, thickness) in unit distance of sliding or unit time.

### 2.2 Definitions of Terms Specific to This Standard:

2.2.1 *torque*—reaction of a tendency to turn due to friction forces between specimens traveling in a circular path. It is the product of a restraining force and the radius at which it acts to balance the frictional torque.

## 3. Summary of Test Method

3.1 The test machine is operated with a test specimen rotating under load against a stationary steel washer. Each test consists of break-in for 40 h followed by a selected test duration, each at the same selected normal load and speed. Load is obtained by application of dead weights to the 10:1 lever arm. The contact area is 1.29 cm<sup>2</sup> (0.20 in.<sup>2</sup>). The mean rubbing velocity is related to spindle rotational speed: 1 rpm = 0.0848 m/min (0.278 ft/min).

3.2 The thickness change of the test specimen and torque during test are measured for each test.

3.3 Wear rate in centimetres per hour (inches per hour) and coefficient of friction is reported.

## 4. Significance and Use

4.1 This test method is used to determine the equilibrium rate of wear and coefficient of friction of materials in rubbing contact under useful operating conditions, that is, combinations of pressure and velocity that fall below the  $PV$  (pressure  $\times$  velocity) limit of the test material. The user of this test method should determine to his own satisfaction whether the results of this test procedure correlate with field performance or other bench test machines. If the test conditions are changed, the wear rates may change and the relative value of one material with respect to another may also change.

4.2 Test conditions may be selected from Table 1.

4.3 The precision of wear measurement is relatively independent of test duration or amount of wear, but the precision of wear rate (calculation) improves with test duration and amount of wear. It is generally believed that useful wear rate precision

TABLE 1 Test Conditions<sup>A</sup>

Rotational speed, rpm	Rubbing Velocity, ft/min (m/min)	Load, lb (kg), to Obtain $PV_1$ , psi × ft/min (kg/cm <sup>2</sup> × m/min) at Selected Speeds			
		$PV_1$ 1250 (26.8)	$PV_2$ 2500 (53.6)	$PV_3$ 5000 (107.1)	$PV_4$ 10 000 (214.3)
36	10 (3.05)	25.0 (11.3)	50.0 (22.7)	100 (45.4)	200 (90.7)
180	50 (15.2)	5.0 (2.3)	10.0 (4.5)	20.0 (9.1)	40.0 (18.1)
900	250 (76.2)	1.0 (0.5)	2.0 (0.9)	4.0 (1.8)	8.0 (3.6)

<sup>A</sup> For many applications a wear rate exceeding  $1.0 \times 10^{-5}$  in./h ( $2.5 \times 10^{-7}$  m/h) is considered excessive. Typical wear rates for some commonly used materials at different  $PV$  levels are:

Acetal homopolymer at $PV_1$ :	$5 \times 10^{-6}$ to $1 \times 10^{-5}$ in./h ( $1.3 \times 10^{-7}$ to $2.5 \times 10^{-7}$ m/h)
Acetal homopolymer at $PV_2$ :	$1 \times 10^{-5}$ to $3 \times 10^{-5}$ in./h ( $2.5 \times 10^{-7}$ to $7.5 \times 10^{-7}$ m/h)
22 % PTFE-filled acetal homopolymer at $PV_2$ :	$3 \times 10^{-6}$ to $6 \times 10^{-6}$ in./h ( $7.5 \times 10^{-8}$ to $1.5 \times 10^{-7}$ m/h)
Polyamide (Type 6-6) at $PV_2$ :	$1 \times 10^{-5}$ to $5 \times 10^{-5}$ in./h ( $2.5 \times 10^{-7}$ to $1.3 \times 10^{-6}$ m/h)
15 % graphite filled polyimide resin at $PV_3$ :	$1 \times 10^{-5}$ to $2 \times 10^{-5}$ in./h ( $2.5 \times 10^{-7}$ to $5 \times 10^{-7}$ m/h)

requires the selection of a test duration sufficient to produce 0.1 mm (0.004 in.) of wear. Test durations will often be in the 50 to 4000-h range.

## 5. Apparatus

5.1 *Falex Multispecimen Test Machine*, Fig. 1, shown schematically in Fig. 2 and described in Annex A1.

5.2 *Test Specimen or Rotating Wafer*, shown in Fig. 3.

5.3 *Stationary Washer*, AISI C-1018 steel, shown in Fig. 4. The surface finish should be  $16 \pm 2 \mu\text{in. AA}$ , the hardness Rc  $20 \pm 5$ .

5.4 *Micrometer* (Note 4), capable of measuring to the nearest 0.003 mm (0.0001 in.).

## 6. Reagents and Materials

6.1 *Solvent*, safe, non-film forming, nonchlorinated.

NOTE 2—Petroleum distillates, formerly used as solvents, have been eliminated due to possible toxic effects. Each user should select a solvent that can meet applicable safety requirements and thoroughly clean machine parts.

6.2 Appropriate reagents for cleaning the test specimen as recommended by the manufacturer of the test material.

## 7. Preparation of Apparatus

7.1 Measure the finish of the steel mating surface perpendicular to the finishing direction.

7.2 Before each test, thoroughly clean the steel washer and both specimen holders using the solvent per 5.1.

NOTE 3—Remove all solvents from the washer before testing.

7.3 Clean the test specimen as recommended by the manufacturer of the test material.

7.3.1 Store cleaned test specimens prior to testing in a glass jar.

7.3.2 Following the cleaning, do not handle the test specimens with bare hands. It is recommended that clean cotton gloves or clean tweezers or tongs be used.

NOTE 4—Check compatibility of the test specimen cleaning procedure and reagents with the specific material to be tested.

7.4 Preset the speed control to provide the desired speed as measured in revolutions per minute using the built-in tachometer. Refer to Table 1 to convert the specified velocity to revolutions per minute.

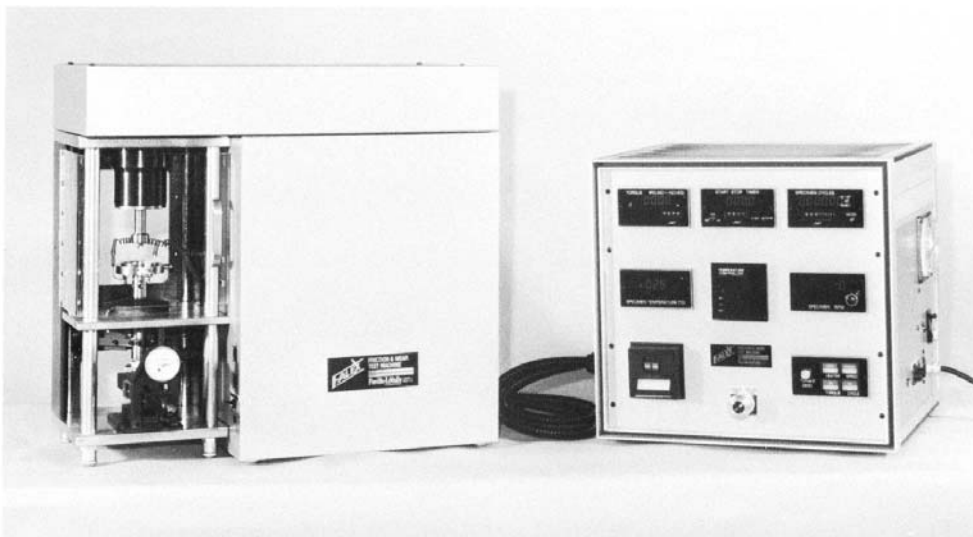


FIG. 1 The Falex Multispecimen Test Machine

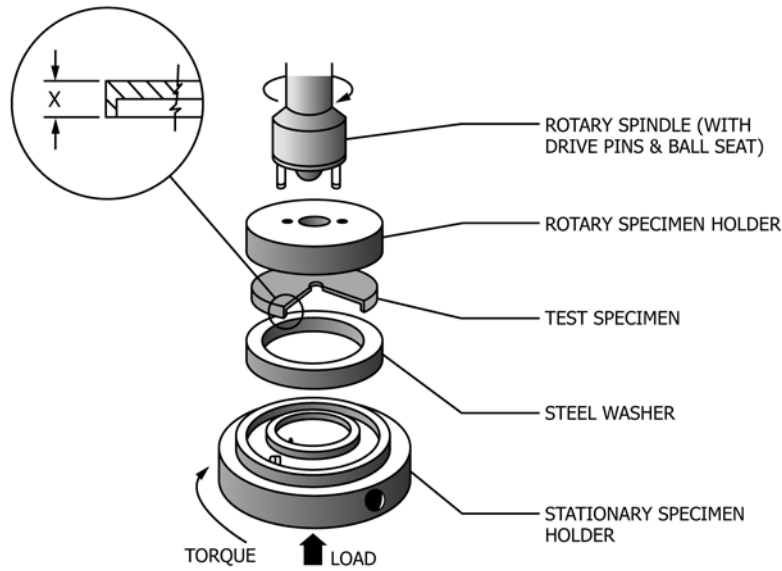


FIG. 2 Thrust Washer Test Specimen Arrangement

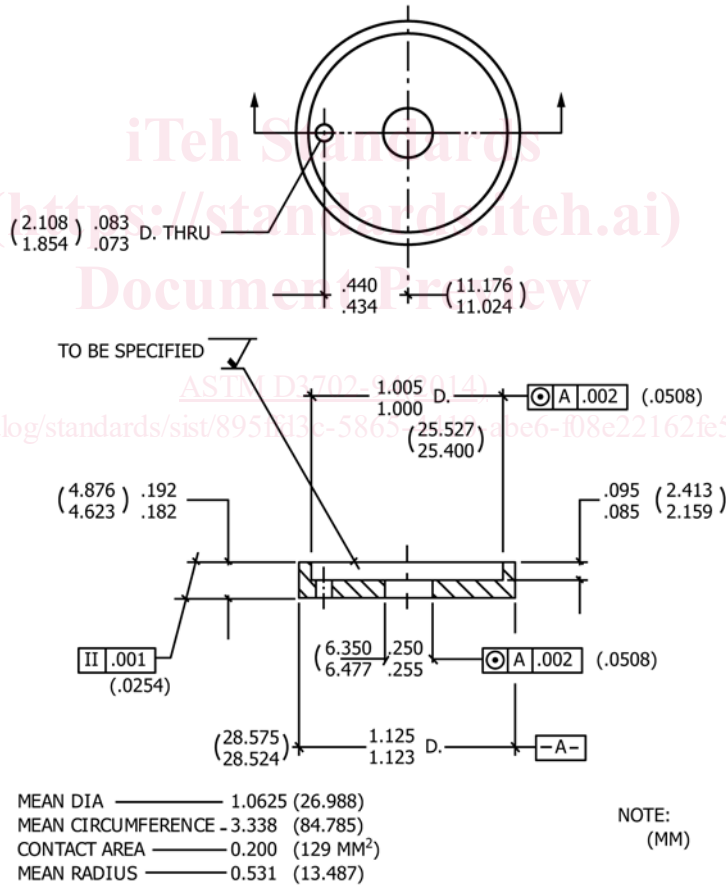


FIG. 3 Rotating Test Specimen

7.5 Install the test specimen in the upper specimen holder with the bolt and washer provided. Torque the bolt to

$$2.8 \pm 0.6 \text{ J } (25 \pm 5 \text{ in.}\cdot\text{lbf}) \quad (2)$$

7.6 Place the steel washer in the lower specimen holder.

7.7 Balance the load lever arm with the bale rod attached.