



# Standard Specification for Metal Insert Fittings Utilizing a Copper Crimp Ring for SDR9 Cross-linked Polyethylene (PEX) Tubing and SDR9 Polyethylene of Raised Temperature (PE-RT) Tubing<sup>1</sup>

This standard is issued under the fixed designation F1807; the number immediately following the designation indicates the year of original adoption or, in the case of revision, the year of last revision. A number in parentheses indicates the year of last reapproval. A superscript epsilon ( $\epsilon$ ) indicates an editorial change since the last revision or reapproval.

## 1. Scope\*

1.1 This specification covers metal insert fittings and copper crimp rings for use with cross-linked polyethylene (PEX) tubing in  $\frac{3}{8}$ ,  $\frac{1}{2}$ ,  $\frac{5}{8}$ ,  $\frac{3}{4}$ , 1, 1  $\frac{1}{4}$ , 1  $\frac{1}{2}$ , and 2 in. nominal diameters that meet the requirements for Specifications **F876** and **F877** and for use with polyethylene of raised temperature (PE-RT) tubing in  $\frac{3}{8}$ ,  $\frac{1}{2}$ ,  $\frac{5}{8}$ ,  $\frac{3}{4}$  and 1 in. and 1  $\frac{1}{4}$  in. nominal diameters that meet the requirements of Specifications **F2623** and **F2769**. These fittings are intended for use in 100 psi (689.5 kPa) cold- and hot-water distribution systems operating at temperatures up to, and including, 180°F (82°C). The requirements for materials, workmanship, dimensions, and markings to be used on the fittings and rings are also included.

1.2 The values stated in inch-pound units are to be regarded as the standard. The values given in parentheses are mathematical conversions to SI units which are provided for information only and are not considered the standard.

1.3 Compliance with this specification requires that these fittings be tested and certified to Specification **F877** when used with PEX tubing and Specification **F2769** when used with PE-RT tubing.

1.4 *This standard does not purport to address all of the safety concerns, if any, associated with its use. It is the responsibility of the user of this standard to establish appropriate safety and health practices and determine the applicability of regulatory limitations prior to use.*

## 2. Referenced Documents

### 2.1 ASTM Standards:<sup>2</sup>

**A269** Specification for Seamless and Welded Austenitic Stainless Steel Tubing for General Service

**A276** Specification for Stainless Steel Bars and Shapes

**A312/A312M** Specification for Seamless, Welded, and Heavily Cold Worked Austenitic Stainless Steel Pipes

**B16/B16M** Specification for Free-Cutting Brass Rod, Bar and Shapes for Use in Screw Machines

**B62** Specification for Composition Bronze or Ounce Metal Castings

**B75** Specification for Seamless Copper Tube

**B88** Specification for Seamless Copper Water Tube

**B124/B124M** Specification for Copper and Copper Alloy Forging Rod, Bar, and Shapes

**B140/B140M** Specification for Copper-Zinc-Lead (Red Brass or Hardware Bronze) Rod, Bar, and Shapes

**B283** Specification for Copper and Copper-Alloy Die Forgings (Hot-Pressed)

**B371/B371M** Specification for Copper-Zinc-Silicon Alloy Rod

**B584** Specification for Copper Alloy Sand Castings for General Applications

**B967/B967M** Specification for Copper-Zinc-Tin-Bismuth Alloy Rod, Bar and Wire

**D1600** Terminology for Abbreviated Terms Relating to Plastics

**D2122** Test Method for Determining Dimensions of Thermoplastic Pipe and Fittings

**E18** Test Methods for Rockwell Hardness of Metallic Materials

**F412** Terminology Relating to Plastic Piping Systems

**F876** Specification for Crosslinked Polyethylene (PEX) Tubing

<sup>1</sup> This standard is under the jurisdiction of ASTM Committee **F17** on Plastic Piping Systems and is the direct responsibility of Subcommittee **F17.10** on Fittings. Current edition approved Aug. 15, 2013; Aug. 1, 2014. Published September 2013; September 2014. Originally approved in 1997. Last previous edition approved in 2013 as **F1807 – 13**; **F1807 – 13A**. DOI: [10.1520/F1807-14](https://doi.org/10.1520/F1807-14).

<sup>2</sup> For referenced ASTM standards, visit the ASTM website, [www.astm.org](http://www.astm.org), or contact ASTM Customer Service at [service@astm.org](mailto:service@astm.org). For *Annual Book of ASTM Standards* volume information, refer to the standard's Document Summary page on the ASTM website.

\*A Summary of Changes section appears at the end of this standard

**F877** Specification for Crosslinked Polyethylene (PEX) Hot- and Cold-Water Distribution Systems

**F2623** Specification for Polyethylene of Raised Temperature (PE-RT) SDR 9 Tubing

**F2769** Specification for Polyethylene of Raised Temperature (PE-RT) Plastic Hot and Cold-Water Tubing and Distribution Systems

2.2 *ASME Standards*:<sup>3</sup>

**B1.20.1** Pipe Threads General Purpose (Inch)

**B16.18** Cast Copper Alloy Solder Joint Pressure Fittings

**B16.22** Wrought Copper and Copper Alloy Solder Joint Pressure Fittings

2.3 *Manufacturer's Standardization Society Standard*:<sup>4</sup>

**SP-104** Wrought Copper Solder Joint Pressure Fittings

2.4 *NSF International Standard*:<sup>5</sup>

**Standard No. 14** for Plastic Piping Components and Related Materials

**Standard No. 61** for Drinking Water System Components-Health Effects

2.5 *EN Standards*:<sup>6</sup>

**EN 12164** Copper and Copper Alloys-Rod for Free Machining Purposes

**EN 12165** Copper and Copper Alloys-Wrought and Unwrought Forging Stock

**EN 1982** Copper and Copper Alloys, Ingots and Castings

### 3. Terminology

3.1 Definitions are in accordance with Terminology **F412** and abbreviations are in accordance with Terminology **D1600**, unless otherwise indicated.

### 4. Classification

4.1 This specification covers one class of fittings and copper crimp rings suitable for use with PEX tubing that meet the requirements of Specification **F876** or **F877** or with PE-RT tubing that meet the requirements of Specifications **F2623** and **F2769** or a combination thereof.

### 5. Materials and Manufacture

5.1 *Fittings*—The fittings shall be made from one of the following metals:

5.1.1 *Wrought Copper*—Wrought copper fittings shall be made from material meeting the requirements of Specification **B75** or **B88** for one of the following coppers: copper UNS Nos. C10200, C10300, C10800, or C12200.

5.1.2 *Cast Copper Alloys*—Cast copper alloy fittings shall be made from material meeting the requirements of Specification **B584**, copper alloy UNS Nos. C84400, C83800, C87710, C87850 or C89844 or Specification **B62**, copper alloy UNS No. C83600, or Standard EN 1982, copper alloy EN Symbol CuSn4Zn6Pb3-C.

5.1.3 *Machined Brass*—Machined brass fittings shall be made from material meeting the requirements of Specification **B140/B140M** copper alloy UNS No. C31400, or Specification **B16/B16M**, Copper Alloy UNS No. C36000, Specification **B124/B124M** copper alloy UNS No. C48600, or C87700, or Specification **B371/B371M** Copper Alloy UNS No. C69300, or Standard EN 12164, Copper Alloy CW614N, or Copper Alloy UNS No. C27450, or Specification **B967/B967M** copper alloy UNS No. C49260 or C49340.

5.1.4 *Forged Brass*—Forged brass fittings shall be made from material meeting the requirements of Specification **B283**, Copper Alloy UNS Nos. C27450, C35330, C36500, C37700, C46400, C48600, C49260, C49340, C69300 or C87700.

5.1.5 *Stainless Steel*—Stainless steel fittings shall be made from material meeting requirements of Specification **A312/A312M**, stainless steel alloy 304, 304L, 316 or 316L, (UNS Nos. S30400, S30403, S31600 or S31603), or Specification **A269**, stainless steel alloy 304, 304L, 316, 316L (UNS Nos. S30400, S30403, S31600 or S31603), or Specification **A276**, Stainless steel alloy 304, 401L, 316, or 316L (UNS Nos. S30400, S30403, S31600 or S31603)

5.2 *Crimp Rings*—Crimp rings shall be made from copper UNS Nos. C10200 or C12200, and shall be black in color. ~~color~~ or alternately be identified per **10.2.3.2** of this specification. The crimp rings shall have a minimum allowable hardness of 35 and a maximum allowable hardness of 45 on the Rockwell 15T scale when measured according to Test Methods **E18**.

### 6. General Requirements

6.1 When fittings manufactured according to this specification are intended for use with the PEX tubing, the following sections of Specification **F877** constitute a part of this specification.

<sup>3</sup> Available from American Society of Mechanical Engineers (ASME), ASME International Headquarters, Three Park Ave., New York, NY 10016-5990, <http://www.asme.org>.

<sup>4</sup> Available from Manufacturers Standardization Society of the Valve and Fittings Industry (MSS), 127 Park St., NE, Vienna, VA 22180-4602, <http://www.mss-hq.com>.

<sup>5</sup> Available from NSF International, P.O. Box 130140, 789 N. Dixboro Rd., Ann Arbor, MI 48113-0140, <http://www.nsf.org>.

<sup>6</sup> Available from European Committee for Standardization (CEN), 36 rue de Stassart, B-1050, Brussels, Belgium, <http://www.cenorm.be>.

- 6.1.1 Requirements,
- 6.1.2 Test Methods, and
- 6.1.3 Retest and Rejection.

6.2 In addition, when a section with a title identical to that referenced in 6.1 appears in this specification, it contains additional requirements that supplement those appearing in Specification F877.

6.3 When fittings manufactured according to this specification are intended for use with PE-RT tubing, the following sections of Specification F2769 constitute a part of this specification:

- 6.3.1 Requirements,
- 6.3.2 Test Methods, and
- 6.3.3 Retest and Rejection.

6.4 In addition, when a section with a title identical to that referenced in 6.3 appears in this specification, it contains additional requirements that supplement those appearing in Specification F2769.

6.5 *Dimensions*—Any randomly selected fitting or fittings, and crimp ring or crimp rings, shall be used to determine dimensions. Measurements shall be made in accordance with Test Method D2122, except when determining diameters, which is done by making measurements at four locations spaced approximately 45° apart around the circumference. Inspection and gauging of solder joint ends shall be in accordance with ASME B16.18, ASME B16.22, or MSS SP-104.

6.6 *General*—All performance tests shall be performed on assemblies of fittings, crimp rings, and PEX tubing or PE-RT tubing. Fittings and crimp rings shall meet the material and dimensional requirements of this specification. PEX tubing shall meet the requirements of Specifications Specification F876 or F877. PE-RT tubing shall meet the requirements of Specifications Specifications F2623 and F2769—or a combination thereof. Assembly of test specimens shall be in accordance with 9.1.1. Use separate sets of assemblies for each performance test requirement.

## 7. Dimensions

7.1 *Dimensions and Tolerances*—The dimensions and tolerances of fittings and crimp rings shall be as shown in Fig. 1, Fig. 2, Fig. 3, and Fig. 4, when measured in accordance with 6.5.

7.1.1 *Alignment*—The maximum angular variation of any opening shall not exceed 1° off the true centerline axis.

7.1.2 *Fittings with Solder Joint Ends*—Solder joint ends shall be in accordance with ASME B16.22, ASME B16.18, or MSS SP-104.

7.1.3 *Tapered Threaded Ends*—Fitting threads shall be right-hand conforming to ASME B1.20.1. They shall be taper threads (NPT).

## 8. Workmanship, Finish, and Appearance

8.1 The sealing surfaces of the insert shall be smooth and free of foreign material. Fitting walls shall be free of cracks, holes, blisters, voids, foreign inclusions, or other defects that are visible to the unaided eye and affect the wall integrity.

## 9. Assembly

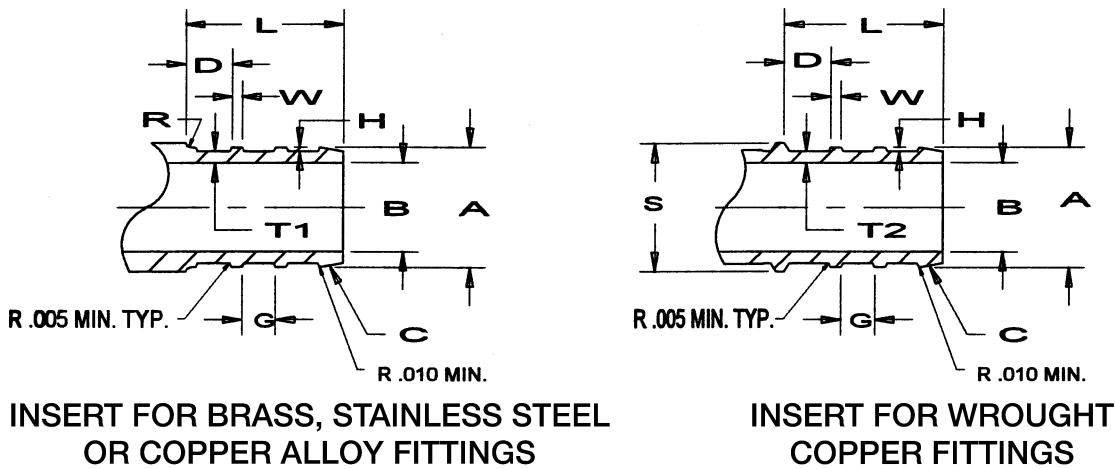
9.1 *Crimp Joints*—Insert fittings shall be joined to PEX tubing or PE-RT tubing by the compression of a copper crimp ring around the outer circumference of the tubing, forcing the tubing material into annular spaces formed by ribs on the fitting. Insert fittings and crimp rings shall meet the dimensional and material requirements of this standard. PEX tubing shall meet the requirements of Specifications Specification F876 or F877. PE-RT tubing shall meet the requirements of Specifications Specifications F2623 and F2769—or a combination thereof. The dimensions and out-of-roundness of the crimp ring, after it has been crimped, shall be in accordance with Table 1.

9.1.1 *Crimping Procedure*—The crimping procedure shall be as follows: slide the crimp ring onto the tubing, insert the ribbed end of the fitting into the end of the tubing until the tubing contacts the shoulder of the fitting or tube stop. For fitting sizes 3/8 to 1 1/4 in. the crimp ring shall then be positioned on the tubing so the edge of the crimp ring is 1/8 to 1/4 in. (3.2 to 6.4 mm) from the end of the tube. For 1 1/2 in. fitting size the crimp ring shall be positioned 1/4 to 3/8 in. (6.4 to 9.5 mm) from the end of tube. For 2 in. fitting size the crimp ring shall be positioned 3/8 to 1/2 in. (9.5 to 12.7 mm) from the end of the tube. The jaws of the crimping tool shall be centered over the crimp ring and the tool shall be held so that the crimping jaws are approximately perpendicular to the axis of the barb. The jaws of the crimping tool shall be closed around the crimp ring, compressing the crimp ring onto the tubing. The crimp ring shall not be crimped more than once. Each crimp shall be checked to determine conformance to the after-crimped dimensional requirements of Table 1.

## 10. Product Marking

10.1 *Quality of Marking*—The marking shall be applied to the fittings in such a manner that it remains legible after installation and inspection.

10.2 *Content of Marking*:



C  
ENTRANCE  
CHAMFER  
10 - 30 deg.

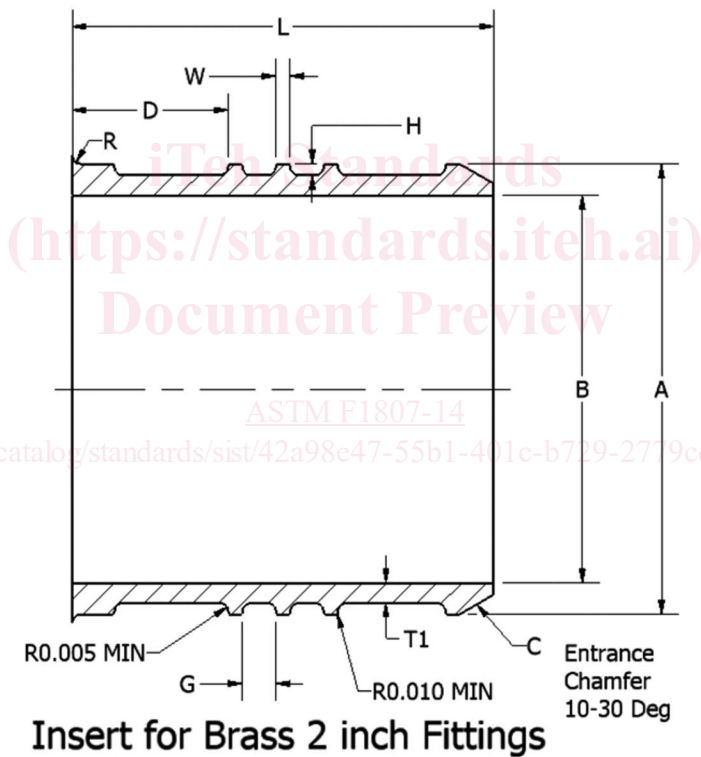


FIG. 1 Fitting Insert Dimensions and Tolerances

10.2.1 Marking on fittings shall include manufacturer's name or trademark, or some other identifying mark, and if size permits, PEX/PE-RT or the ASTM standard number, or a combination thereof.

10.2.1.1 Where recessed marking is used on fittings, care shall be taken to see that the marking shall not cause cracks or reduce the wall thickness below the minimum specified.

10.2.2 Marking on packaging shall include manufacturer's name, fitting size, and ASTM F1807.

10.2.3 ~~Marking on crimp rings shall include manufacturer's trademark, or some other identifying mark, and ASTM F1807.~~  
Crimp rings:

10.2.3.1 Marking on crimp rings shall include manufacturer's trademark, or some other identifying mark, and ASTM F1807.

10.2.3.2 Manufacturer of crimp rings may use an alternate identifying marking in place of the "black in color" provided the ring is generally natural copper color with 1/8 in. minimum black font lettering stating "PEX" or "PE-RT," or both legibly printed in