



Designation: **A962/A962M—14** **A962/A962M – 14a**

Standard Specification for Common Requirements for Bolting Intended for Use at Any Temperature from Cryogenic to the Creep Range¹

This standard is issued under the fixed designation A962/A962M; the number immediately following the designation indicates the year of original adoption or, in the case of revision, the year of last revision. A number in parentheses indicates the year of last reappraisal. A superscript epsilon (ϵ) indicates an editorial change since the last revision or reappraisal.

1. Scope*

1.1 This specification covers a group of common requirements that shall apply to carbon, alloy, stainless steel, and nickel alloy bolting under any of the following ASTM Specifications (or under any other ASTM Specifications that invoke this specification or portions thereof):

| Title of Specifications | ASTM Designation |
|--|------------------|
| Alloy-Steel and Stainless Steel Bolting Materials for High-Temperature Service | A193/A193M |
| Carbon and Alloy Steel Nuts for Bolts for High Pressure and High-Temperature Service | A194/A194M |
| Alloy Steel Bolting Materials for Low-Temperature Service | A320/A320M |
| Alloy-Steel Turbine-Type Bolting Material Specially Heat Treated for High-Temperature Service | A437/A437M |
| High-Temperature Bolting Materials With Expansion Coefficients Comparable to Austenitic Stainless Steels | A453/A453M |
| Alloy-Steel Bolting Materials for Special Applications | A540/A540M |
| Precipitation-Hardening Bolting Material (UNS N07718) for High Temperature Service | A1014/A1014M |

1.2 In case of conflict, the requirements of the individual product specification shall prevail over those of this specification.

1.3 ~~Additional Fasteners are a wide-ranging classification that includes screws, bolts, nuts, washers, stud bolts, rivets, powder-actuated studs, staples, tacks, and pins. Bolting, which is composed of bolting materials, such as rods, bars, flats, and forgings, which are subsequently manufactured into bolting components, are a special sub-group of fasteners. Bolting materials and components have designated compositions and specific properties intended for applications in aggressive service where commercial generic fasteners may not be suitable or have insufficient fitness for purpose under certain conditions. These conditions include cryogenic or high temperature service, or excessive vibration, impact, or shock. To further address any other special service conditions where bolting is intended for use, additional requirements may be specified by mutual agreement between the purchaser and supplier.~~

1.4 Supplementary requirements are provided for use at the option of the purchaser. The supplementary requirements only apply when specified individually by the purchaser in the purchase order or contract.

1.5 This specification is expressed in both inch-pound units and in SI units; ~~however, unless units. Unless the purchase order or contract specifies the applicable “M” specification designation (SI units) the inch-pound units shall apply. The values stated in either SI units or inch-pound units are to be regarded separately as standard. Within the text, the SI units are shown in brackets. The values stated in each system may not be exact equivalents; therefore, each system shall be used independently of the other. Combining values from the two systems may result in nonconformance with the specification.~~

¹ This specification is under the jurisdiction of ASTM Committee A01 on Steel, Stainless Steel and Related Alloys and is the direct responsibility of Subcommittee A01.22 on Steel Forgings and Wrought Fittings for Piping Applications and Bolting Materials for Piping and Special Purpose Applications.

Current edition approved May 1, 2014/Oct. 1, 2014. Published May 2014/October 2014. Originally approved in 1997. Last previous edition approved in 2013/2014 as A962/A962M—13b—14. DOI: 10.1520/A0962_A0962M-14.10.1520/A0962_A0962M-14A.

*A Summary of Changes section appears at the end of this standard

2. Referenced Documents

The following documents shall form a part of this specification to the extent specified. The latest issue shall apply unless otherwise specified.

2.1 *ASTM Standards:*²

[A29/A29M](#) Specification for General Requirements for Steel Bars, Carbon and Alloy, Hot-Wrought

[A193/A193M](#) Specification for Alloy-Steel and Stainless Steel Bolting for High Temperature or High Pressure Service and Other Special Purpose Applications

[A194/A194M](#) Specification for Carbon and Alloy Steel Nuts for Bolts for High Pressure or High Temperature Service, or Both

[A320/A320M](#) Specification for Alloy-Steel and Stainless Steel Bolting for Low-Temperature Service

[A370](#) Test Methods and Definitions for Mechanical Testing of Steel Products

[A380](#) Practice for Cleaning, Descaling, and Passivation of Stainless Steel Parts, Equipment, and Systems

[A437/A437M](#) Specification for Stainless and Alloy-Steel Turbine-Type Bolting Specially Heat Treated for High-Temperature Service

[A453/A453M](#) Specification for High-Temperature Bolting, with Expansion Coefficients Comparable to Austenitic Stainless Steels

[A484/A484M](#) Specification for General Requirements for Stainless Steel Bars, Billets, and Forgings

[A540/A540M](#) Specification for Alloy-Steel Bolting for Special Applications

[A700](#) Practices for Packaging, Marking, and Loading Methods for Steel Products for Shipment (Withdrawn 2014)³

[A751](#) Test Methods, Practices, and Terminology for Chemical Analysis of Steel Products

[A788/A788M](#) Specification for Steel Forgings, General Requirements

[A941](#) Terminology Relating to Steel, Stainless Steel, Related Alloys, and Ferroalloys

[A967](#) Specification for Chemical Passivation Treatments for Stainless Steel Parts

[A1014/A1014M](#) Specification for Precipitation-Hardening Bolting (UNS N07718) for High Temperature Service

[E3](#) Guide for Preparation of Metallographic Specimens

[E381](#) Method of Macroetch Testing Steel Bars, Billets, Blooms, and Forgings

[E384](#) Test Method for Knoop and Vickers Hardness of Materials

[E566](#) Practice for Electromagnetic (Eddy Current) Sorting of Ferrous Metals

[E1417](#) Practice for Liquid Penetrant Testing

[E1444](#) Practice for Magnetic Particle Testing

[E1916](#) Guide for Identification of Mixed Lots of Metals

[F788/F788M](#) Specification for Surface Discontinuities of Bolts, Screws, and Studs, Inch and Metric Series

[F812](#) Specification for Surface Discontinuities of Nuts, Inch and Metric Series

[F1470](#) Practice for Fastener Sampling for Specified Mechanical Properties and Performance Inspection

[F2328](#) Test Method for Determining Decarburization and Carburization in Hardened and Tempered Threaded Steel Bolts, Screws, Studs, and Nuts

[F2328M](#) Test Method for Determining Decarburization and Carburization in Hardened and Tempered Threaded Steel Bolts, Screws, Studs, and Nuts (Metric)

2.2 *AIAG Standard:*⁴

[AIAG B-5 02.00](#) Primary Metals Identification Tag Application Standard

2.3 *ASME Standards:*⁵

[B1.1](#) Screw Threads

[B1.13M](#) Metric Screw Threads – M Profile

[B1.2](#) Gages and Gaging for Unified Screw Threads

[B1.3M](#) Screw Thread Gaging Systems for Dimensional Acceptability of Metric Screw Threads

[B18.2.1](#) Square and Hex Bolts and Screws

[B18.2.3.6M](#) Metric Heavy Bolts

[B18.3](#) Hexagon Socket and Spline Socket Screws

[B18.18](#) Quality Assurance for Fasteners

2.4 *Other Documents:*

[ASNT Recommended Practice No. SNT-TC-1A](#)⁶

² For referenced ASTM standards, visit the ASTM website, www.astm.org, or contact ASTM Customer Service at service@astm.org. For *Annual Book of ASTM Standards* volume information, refer to the standard's Document Summary page on the ASTM website.

³ The last approved version of this historical standard is referenced on www.astm.org.

⁴ Available from Automotive Industry Action Group (AIAG), 26200 Lahser Rd., Suite 200, Southfield, MI 48033, <http://www.aiag.org>.

⁵ Available from American Society of Mechanical Engineers (ASME), ASME International Headquarters, Two Park Ave., New York, NY 10016-5990, <http://www.asme.org>.

⁶ Available from American Society for Nondestructive Testing (ASNT), P.O. Box 28518, 1711 Arlingate Ln., Columbus, OH 43228-0518, <http://www.asnt.org>.

3. Terminology

3.1 Definitions of Terms Specific to This Standard:

3.1.1 *bar*—a solid rolled or forged section that is long in relationship to its cross-sectional dimensions with a relatively constant cross section throughout its length. See Specification [A29/A29M](#) for definitions relating to the production of hot wrought and cold finished bars.

3.1.2 *bolting*~~—bolting materials~~ a general term which includes bolting materials (rolled or forged bars or blanks, wire, rod, threaded bar, rotary pierced or extruded seamless tubes, bored bars, or forged hollows from forged or rolled bar ~~segments, to~~ segments), which are manufactured into ~~fasteners and~~ bolting components, including but not limited to, connectors, pins, restraining device components, and ~~shafts and fasteners themselves (bolts, shafts, bolts, nuts, screws, studs, and washers)~~ washers.

3.1.3 *bolting components*~~—components, such as bolts, nuts, screws, studs, washers, connectors, and pins, are finished products which join, fasten, restrain, or position objects.~~

3.1.4 *bolting materials*~~—starting materials used for the manufacture of bolting components, such as rolled or forged or threaded solid bars, blanks, wires, rods, or tubes or other hollow sections, that may be further processed by heat treatment, cold working, forging, threading, or machining.~~

3.1.5 *certifying organization*~~—the company or association responsible for the conformance and marking of the product to the specification requirements.~~

3.1.6 *class*—a term used to differentiate between different heat treatment conditions or strength levels, or both, often within the same grade but sometimes within the same family of materials. May also apply to work hardened condition or strength level, or both.

3.1.7 *grade*—an alloy described individually and identified by its own designation in a table of chemical requirements within any specification.

3.1.8 *length, fasteners components subject to full size testing*~~—that portion of the fastener bolting component whose body diameter is approximately the same as the nominal thread size.~~

3.1.9 *lot*~~—unless otherwise specified, a lot shall consist of:~~

3.1.9.1 *bolting, heat treated in batch type furnaces*~~—all bolting material of the same heat or cast of material, condition, finish, and size subjected to the same heat treatment in one tempering charge and submitted for inspection at the same time.~~

3.1.9.2 *bolting, heat treated in continuous type furnaces*~~—all bolting material of the same heat or cast of material, condition, finish, and size heat treated without interruption in a continuous type furnace during an eight hour period.~~

3.1.9.3 *bolting, non heat treated (strain hardened)*~~—all bolting material of the same heat or cast of material, condition, reduction (cold work), finish, and size.~~

3.1.9.4 *fasteners, components, machined from bolting material*~~—all fasteners bolting components machined from the same lot of bolting material defined as outlined in either 3.1.7.13.1.9.1 or 3.1.7.23.1.9.2, above without any subsequent heat treatment or hot or cold forming.~~

3.1.9.5 *fasteners, components, heat treated in batch type furnaces*~~—all bolting component items produced by any technique (forming, machining, etc.) manufacturing process (such as rolling, forging, or machining) from the same heat or cast of material, of the same prior condition, the same size, and subjected to the same heat treatment in one tempering charge.~~

3.1.9.6 *fasteners, components, heat treated in continuous type furnaces*~~—all bolting component items produced by any technique (forming, machining, etc.) manufacturing process (such as rolling, forging, or machining) from the same heat or cast of material, of the same prior condition, of the same size, and then subjected to the same heat treatment in a four hour period and in one tempering charge.~~

3.1.9.7 *fasteners, components, non heat treated (strain hardened)*~~—all fasteners bolting components of the same heat or cast of material, condition, reduction (cold work), finish, and size.~~

3.1.9.8 *strain hardened material*~~—austenitic stainless steel material which has been subjected to cold working sufficient to cause a significant increase in strength.~~

3.2 *Definitions*~~—For definitions of other terms used in this specification, refer to Terminology [A941](#).~~

4. Ordering Information

4.1 It is the purchaser's responsibility to specify in the purchase order all information necessary to purchase the needed material. Examples of such information include, but are not limited, to the following:

4.1.1 Quantity and size,

4.1.2 Product specification number with grade, class, type, as applicable, and including the product specification year date,

4.1.3 Any additional information required by the individual product specification,

4.1.4 Supplementary requirements,

4.1.5 Additional requirements (see [5.3](#), [5.5](#), [5.6](#), [6.1](#), [7.4](#), [13.1](#), [13.3.1](#), [13.3.3](#), [13.5.2](#), [13.6](#), [15.8](#), and [19.1](#)).

- 4.1.6 Additional ordering options provided in the individual product specification, and
- 4.1.7 Dimensions (diameter, length of point, overall length, finish, shape, threads, etc.).

5. Melting Process

5.1 The steel shall be produced by any of the following processes: basic-oxygen, electric-furnace, or vacuum-induction melting (VIM). The molten steel may be vacuum-treated prior to or during pouring of the ingot or strand casting.

5.2 Unless otherwise specified in the individual product specification, the steel shall be fully killed. Use of the basic oxygen process shall be limited to grades containing less than 6 % chromium.

5.3 If a specific type of melting is required by the purchaser, it shall be stated on the purchase order.

5.4 The primary melting may incorporate separate degassing or refining and may be followed by secondary melting such as electroslag remelting or vacuum remelting. If secondary melting is employed, the heat shall be defined as all of the ingot remelted from a single primary heat.

5.5 Steel may be cast in ingots or may be continuously cast. When steel of different grades is continuously cast identification of the resultant transition material is required. The steel producer shall remove the transition material by an established procedure that positively separates the grades. Should the purchaser deem it necessary to have the transition zone of two heats of the same grade which are continuously cast discarded, the purchaser shall invoke Supplementary Requirement S53.

5.6 *Quality*—The steel producer quality control procedures shall provide sufficient testing of carbon and alloy steels in accordance with Method E381 or other suitable method as agreed upon between the purchaser and the producer to assure the internal quality of the product.

5.6.1 *Ingot Cast Product*—Visual examination of transverse sections shall show no imperfections worse than the macrographs of Method E381 S2-R2-C3 or equivalent as agreed upon.

5.6.2 *Strand Cast Product*—Visual examination of traverse sections in accordance with Method E381 shall reveal none of the conditions shown in macrographs 1-5, 7,12-18 of Plate III. Conditions 6, 8-11 shall not be present to a degree greater than the macrographs of Plates I and II, S2-R2-C3.

6. Materials and Manufacture

6.1 Bars shall be produced in accordance with Specifications A29/A29M or A484/A484M as applicable. Finish (hot rolled or cold, ground, cold drawn, rough turned, drawn, etc.) extruded, ground, or polished shall be at the option of the manufacturer unless otherwise specified.

6.1.1 A sufficient discard shall be made from each ingot to ensure bars do not contain piping or segregation that precludes use of the product to manufacture bolting meeting the requirements of the individual product specifications.

6.2 Fasteners—Bolting components shall be produced in accordance with the product specification.

7. Chemical Composition

7.1 *Chemical Analysis*—Heat or product chemical analysis shall be in accordance with Test Methods, Practices, and Terminology A751.

7.2 *Heat Analysis*—An analysis of each heat of steel shall be made by the steel manufacturer to determine the percentages of those elements specified in the individual product specification. If secondary melting processes are employed, the heat analysis shall be obtained from one remelted ingot or the product of one remelted ingot of each primary melt. The chemical analysis thus determined shall conform to the requirements of the individual product specification. Product analysis (check analysis) tolerances shall not be applied to heat analysis requirements.

7.3 *Product Analysis*—When performed, by manufacturer, purchaser, end user, and so forth, samples for analysis shall be taken from midway between center and surface of solid parts, midway between inner and outer surfaces of hollow parts, midway between center and surface of full-size prolongations or from broken mechanical test specimens. The chemical composition thus determined shall conform to the limits of the product specification, within the permissible tolerances found in Tables 5 and 6 of Specification A29/A29M and Table 1 of Specification A484/A484M as appropriate for the grade being supplied. When multiple samples are taken from the same lot for product analysis, individual elements shall not vary both above and below the specified range.

7.4 For continuous cast materials the requirements of 8.2 or 8.3, as appropriate, of Specification A788/A788M shall be met.

7.5 Steels with intentional additions of lead, bismuth, or tellurium shall not be supplied or used. Steels with intentional additions of selenium may only be supplied or used when specifically called out in the product specification.

7.6 The starting material shall not contain any unspecified elements, other than nitrogen in austenitic stainless steels, for the ordered grade(s) to the extent that it then conforms to the requirements of another grade for which that element is a specified element having a required minimum content.

8. Mechanical Properties

8.1 *Method of Mechanical Tests*—All tests shall be conducted in accordance with Test Methods and Definitions **A370** unless otherwise specified.

8.2 For the purpose of determining conformance to the product specification requirements, specimens shall be obtained from the production material, or, in the case of forgings, from separately forged test blanks prepared from the stock used to make the finished product. Heat treatment shall be completed prior to removal of material for mechanical testing.

8.3 If separately forged test blanks are used, they shall be of the same heat of steel, be subjected to substantially the same reduction and working as the production forging they represent, be heat treated in the same furnace charge and under the same conditions as the production forging, and be of the same nominal thickness as the maximum heat treated thickness of the production forging.

8.4 *Bars*—Tension and impact tests representing bar stock shall be taken in accordance with the requirements of Annex A1 of Test Methods and Definitions **A370**. Impact tests are not required on bars ½ in. and under in diameter.

8.5 *Fasteners, Components, Machined from Heat Treated Bar*—Mechanical properties of ~~fasteners~~ bolting components machined from heat treated bar shall be represented by the tests ~~run~~ conducted on the bar in accordance with **8.4**.

8.6 *Fasteners, Components, All Classes—Produced by other methods*—When ~~fasteners~~ bolting components have been produced by forming, when they have been subjected to heat treatment, or when the nominal thread size falls into a different diameter range than that of the starting bar as shown in the applicable specifications, then tests shall be ~~run~~ conducted on material taken from those ~~fasteners~~ components.

8.6.1 Tension test specimens taken from finished ~~fasteners~~ components shall be machined to the form and dimensions and from the positions shown in Annex A3 of Test Methods and Definitions **A370**. Impact tests are not required on material from externally threaded ~~fasteners~~ components when the thread diameter is ½ in. and under.

9. Hardness Requirements

9.1 The material shall conform to the hardness requirements prescribed in the product specification. Hardness testing shall be performed in accordance with Test Methods and Definitions **A370**.

9.2 Tensile tests prevail over hardness tests in the event a conflict exists relative to minimum strength unless otherwise specified in the product specification.

10. Tensile Requirements

10.1 *Bars and Specimens Machined From Fasteners—Components*—The bolting component material shall conform to the tensile property requirements prescribed in the product specification.

10.1.1 When the dimensions of the component material to be tested will permit, the tension test specimens shall be machined to the form and dimensions of the standard 2-in. [50-mm] ~~gauge~~ gage length tension test specimen described in Test Methods and Definitions **A370**.

10.1.2 When the dimensions of the component material to be tested do not permit full size ~~samples~~ specimens, small size specimens meeting the requirements of Test Methods and Definitions **A370** shall be used.

11. Proof Load and Cone Proof Requirements

11.1 *Proof Load Test*—Nuts shall be assembled on a threaded mandrel or a test bolt as illustrated in **Fig. 1**(a) Tension Method or (b) Compression Method. The minimum proof load required by the product specification shall be applied using a free running cross head speed of 1.0 in [25 mm] per minute maximum and shall be held for at least 10 s. The nut shall resist this load without stripping or rupture, and shall be removable by hand, without use of tooling, after the load is released. A wrench may be used to loosen the nut one-half turn maximum to start it in motion. The test shall be discarded if the threads of the mandrel or test bolt are damaged during the test.

11.1.1 Mandrels shall have a hardness of 45 HRC minimum with threads of the appropriate series and conforming to the requirements of ASME B1.1 Class 3A or ASME B1.13M tolerance 4H except that the maximum major diameter shall be the minimum major diameter plus 0.25 times the major diameter tolerance.

11.1.2 The test bolt shall have threads appropriate to the standard specified for the nut being tested and shall have a yield strength in excess of the specified proof load of the nut being tested.

11.1.3 The mandrel/tension method shall be used when arbitration is required.

11.2 *Cone Proof Load Test*—This test is performed when visible surface discontinuities become a matter of issue. The test uses a conical washer and threaded mandrel to determine the load-carrying ability of hardened steel nuts through 1½ in. [36 mm] in diameter assembled as shown in **Fig. 2**. The minimum cone proof load required by the product specification shall be applied using a free running cross head speed of 0.12 in. [3 mm] per minute maximum and shall be held for at least 10 s. The nut shall support its specified cone proof load without stripping or rupture.

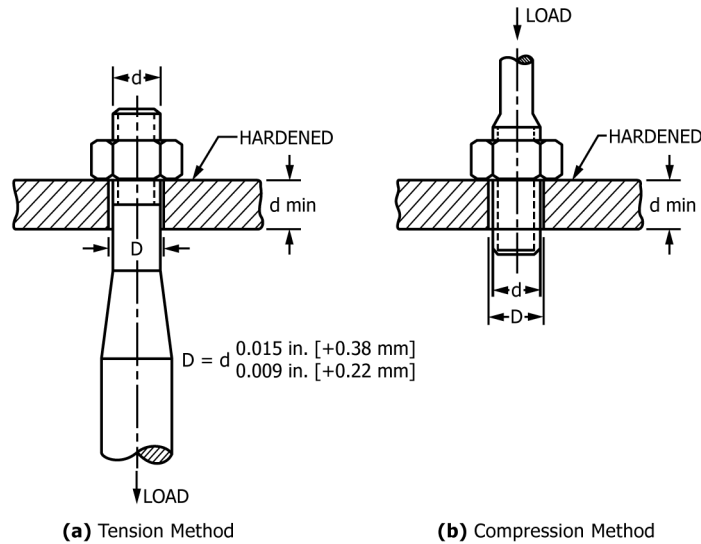


FIG. 1 Proof Load Testing—Nuts

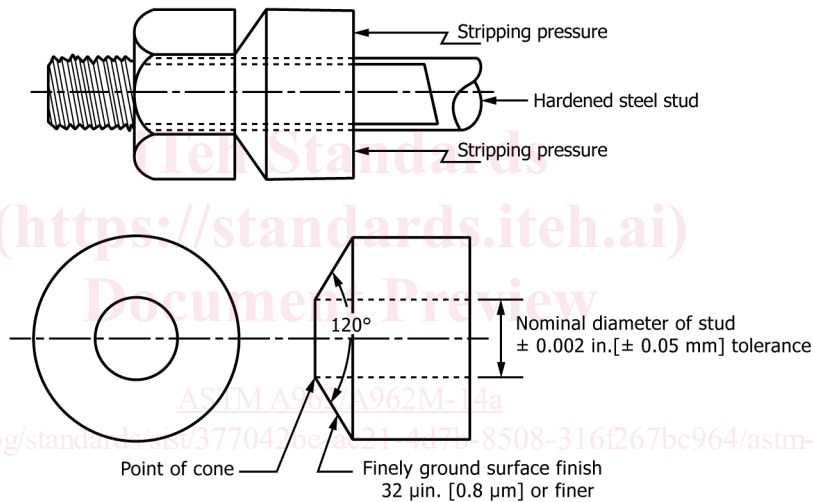


FIG. 2 Cone-Proof Test

11.2.1 Mandrels shall conform to the requirements of 11.1.1.

11.2.2 Conical washers shall have a hardness of 57 HRC minimum and a hole diameter equivalent to the nominal diameter of the mandrel +0.002, -0.000 in. [+0.05 and -0.00 mm].

11.2.3 The contact point of the cone shall be sharp for nut sizes ½ in. [12 mm] or less. For sizes over ½ in. [12 mm], the point shall be flat and 0.015 ± 0.001 in. [0.38 + 0.03 mm] in width.

11.2.4 Cone proof loads may be determined as shown in Tables 1 and 2 when they are not specified in the product specification.

12. Impact Requirements

12.1 The material shall conform to the impact requirements prescribed in the product specification.

12.2 Sampling for impact testing shall conform to the product specification.

12.3 The impact test specimen shall have the form and dimensions shown in Fig. 10 of Test Methods and Definitions A370 for the Charpy V-notch specimen, Type A. The longitudinal axis of the specimen shall be parallel to the direction of rolling or, in the case of forgings, to the longest axis of the component the test bar represents. The notch shall be located on the test specimen surface which most closely approaches a radial direction. The base of the notch shall be as nearly as practicable perpendicular to the longest axis of the component.

13. Workmanship, Finish, and Appearance

13.1 The parts—bolting components shall conform to the dimensions, tolerances and finish as specified ~~on~~ in the purchaser's purchase order or in the individual product specification.