



Designation: D1319 – 14

Standard Test Method for Hydrocarbon Types in Liquid Petroleum Products by Fluorescent Indicator Adsorption¹

This standard is issued under the fixed designation D1319; the number immediately following the designation indicates the year of original adoption or, in the case of revision, the year of last revision. A number in parentheses indicates the year of last reapproval. A superscript epsilon (ϵ) indicates an editorial change since the last revision or reapproval.

This standard has been approved for use by agencies of the U.S. Department of Defense.

1. Scope*

1.1 This test method covers the determination of hydrocarbon types over the concentration ranges from 5 to 99 volume % aromatics, 0.3 to 55 volume % olefins, and 1 to 95 volume % saturates in petroleum fractions that distill below 315°C. This test method may apply to concentrations outside these ranges, but the precision has not been determined. Samples containing dark-colored components that interfere in reading the chromatographic bands cannot be analyzed.

NOTE 1—For the determination of olefins below 0.3 volume %, other test methods are available, such as Test Method D2710.

1.2 This test method is intended for use with full boiling range products. Cooperative data have established that the precision statement does not apply to narrow boiling petroleum fractions near the 315°C limit. Such samples are not eluted properly, and results are erratic.

1.3 The applicability of this test method to products derived from fossil fuels other than petroleum, such as coal, shale, or tar sands, has not been determined, and the precision statement may or may not apply to such products.

1.4 This test method has two precision statements depicted in tables. The first table is applicable to unleaded fuels that do not contain oxygenated blending components. It may or may not apply to automotive gasolines containing lead antiknock mixtures. The second table is applicable to oxygenate blended (for example, MTBE, ethanol) automotive spark ignition fuel samples with a concentration range of 13–40 volume percent aromatics, 4–33 volume percent olefins, and 45–68 volume percent saturates.

1.5 The oxygenated blending components, methanol, ethanol, methyl-*tert*-butylether (MTBE), *tert*-amylmethylether (TAME), and ethyl-*tert*-butylether (ETBE), do not interfere with the determination of hydrocarbon types at concentrations

normally found in commercial blends. These oxygenated components are not detected since they elute with the alcohol desorbent. Other oxygenated compounds shall be individually verified. When samples containing oxygenated blending components are analyzed, correct the results to a total-sample basis.

1.6 **WARNING**—Mercury has been designated by many regulatory agencies as a hazardous material that can cause central nervous system, kidney and liver damage. Mercury, or its vapor, may be hazardous to health and corrosive to materials. Caution should be taken when handling mercury and mercury containing products. See the applicable product Material Safety Data Sheet (MSDS) for details and EPA's website—<http://www.epa.gov/mercury/faq.htm>—for additional information. Users should be aware that selling mercury and/or mercury containing products into your state or country may be prohibited by law.

1.7 The values stated in SI units are to be regarded as standard. No other units of measurement are included in this standard.

1.8 *This standard does not purport to address all of the safety concerns, if any, associated with its use. It is the responsibility of the user of this standard to establish appropriate safety and health practices and determine the applicability of regulatory limitations prior to use.* For specific warning statements, see Section 7, 8.1, and 10.5.

2. Referenced Documents

2.1 ASTM Standards:²

D86 Test Method for Distillation of Petroleum Products at Atmospheric Pressure

D1655 Specification for Aviation Turbine Fuels

D2710 Test Method for Bromine Index of Petroleum Hydrocarbons by Electrometric Titration

D3663 Test Method for Surface Area of Catalysts and Catalyst Carriers

¹ This test method is under the jurisdiction of ASTM Committee D02 on Petroleum Products, Liquid Fuels, and Lubricants and is the direct responsibility of Subcommittee D02.04.0C on Liquid Chromatography.

Current edition approved Oct. 1, 2014. Published October 2014. Originally approved in 1954. Last previous edition approved in 2013 as D1319 – 13. DOI: 10.1520/D1319-14.

² For referenced ASTM standards, visit the ASTM website, www.astm.org, or contact ASTM Customer Service at service@astm.org. For *Annual Book of ASTM Standards* volume information, refer to the standard's Document Summary page on the ASTM website.

*A Summary of Changes section appears at the end of this standard

D4057 Practice for Manual Sampling of Petroleum and Petroleum Products

D4815 Test Method for Determination of MTBE, ETBE, TAME, DIPE, tertiary-Amyl Alcohol and C₁ to C₄ Alcohols in Gasoline by Gas Chromatography

D5599 Test Method for Determination of Oxygenates in Gasoline by Gas Chromatography and Oxygen Selective Flame Ionization Detection

E11 Specification for Woven Wire Test Sieve Cloth and Test Sieves

2.2 Other Standards:

GC/OFID EPA Test Method—Oxygen and Oxygenate Content Analysis³

BS 410–1:2000 Test sieves. Technical requirements and testing. Test sieves of metal wire cloth⁴

3. Terminology

3.1 Definitions of Terms Specific to This Standard:

3.1.1 *aromatics*—the volume % of monocyclic and polycyclic aromatics, plus aromatic olefins, some dienes, compounds containing sulfur and nitrogen, or higher boiling oxygenated compounds (excluding those listed in 1.5).

3.1.2 *olefins*—the volume % of alkenes, plus cycloalkenes, and some dienes.

3.1.3 *saturates*—the volume % of alkanes, plus cycloalkanes.

4. Summary of Test Method

4.1 Approximately 0.75 mL of sample is introduced into a special glass adsorption column packed with activated silica gel. A small layer of the silica gel contains a mixture of fluorescent dyes. When all the sample has been adsorbed on the gel, alcohol is added to desorb the sample down the column. The hydrocarbons are separated in accordance with their adsorption affinities into aromatics, olefins, and saturates. The fluorescent dyes are also separated selectively, with the hydrocarbon types, and make the boundaries of the aromatic, olefin, and saturate zones visible under ultraviolet light. The volume percentage of each hydrocarbon type is calculated from the length of each zone in the column.

5. Significance and Use

5.1 The determination of the total volume % of saturates, olefins, and aromatics in petroleum fractions is important in characterizing the quality of petroleum fractions as gasoline blending components and as feeds to catalytic reforming processes. This information is also important in characterizing petroleum fractions and products from catalytic reforming and from thermal and catalytic cracking as blending components for motor and aviation fuels. This information is also important as a measure of the quality of fuels, such as specified in Specification **D1655**.

6. Apparatus

6.1 *Adsorption Columns*, with precision bore (“true bore” IP designation) tubing, as shown on the right in **Fig. 1**, made of glass and consisting of a charger section with a capillary neck, a separator section, and an analyzer section; or with standard wall tubing, as shown on the left in **Fig. 1**. Refer to **Table 1** for column tolerance limits.

6.1.1 The inner diameter of the analyzer section for the precision bore tubing shall be 1.60 to 1.65 mm. In addition the length of an approximately 100-mm thread of mercury shall not vary by more than 0.3 mm in any part of the analyzer section. In glass-sealing the various sections to each other, long-taper connections shall be made instead of shouldered connections. Support the silica gel with a small piece of glass wool located between the ball and socket of the 12/2 spherical joint and covering the analyzer outlet. The column tip attached to the 12/2 socket shall have a 2-mm internal diameter. Clamp the ball and socket together and ensure that the tip does not tend to slide from a position in a direct line with the analyzer section during the packing and subsequent use of the column. Commercial compression-type connectors may be used to couple the bottom of the separator section (which has been cut square), to the disposable 3-mm analyzer section, provided that the internal geometry is essentially similar to the aforementioned procedure and provides for a smooth physical transition from the inner diameters of the two glass column sections. Similar commercial compression-type connectors may be employed at the terminal end of the 3-mm analyzer section, having an integral porous support to retain the silica gel.

6.1.2 For convenience, adsorption columns with standard wall tubing, as shown on the left in **Fig. 1**, can be used. When using standard wall tubing for the analyzer section, it is necessary to select tubing of uniform bore and to provide a leakproof connection between the separator and the analyzer sections. Calibrations of standard wall tubing would be impractical; however, any variations of 0.5 mm or greater, as measured by ordinary calipers, in the outside diameter along the tube can be taken as an indication of irregularities in the inner diameter and such tubing should not be used. Prepare the glassware to retain the gel. One way to accomplish this is to draw out one end of the tubing selected for the analyzer section to a fine capillary. Connect the other end of the analyzer section to the separator section with a suitable length of vinyl tubing, making certain that the two glass sections touch. A 30 ± 5 mm length of vinyl tubing has been found to be suitable. To ensure a leakproof glass-to-vinyl seal with the analyzer section, it is necessary to heat the upper end of the analyzer section until it is just hot enough to melt the vinyl, then insert the upper end of the analyzer section into the vinyl sleeve. Alternatively, this seal can be made by securing the vinyl sleeve to the analyzer section by wrapping it tightly with soft wire. Commercial compression-type connectors may be used to couple the bottom of the separator section (which has been cut square), to the 3-mm analyzer section, provided that the internal geometry is essentially similar to the aforementioned procedure and provides for a smooth physical transition from the inner diameters of the two glass column sections. Similar commercial compression-type connectors may be employed at the terminal

³ Code of Federal Regulations, Part 80 of Title 40, 80.46 (g); also published in the Federal Register, Vol 59, No. 32, Feb. 16, 1994, p. 7828. No longer available.

⁴ Available from BSI British Standards, 389 Chiswick High Road, London, W4 4AL, United Kingdom (www.bsi-global.com).

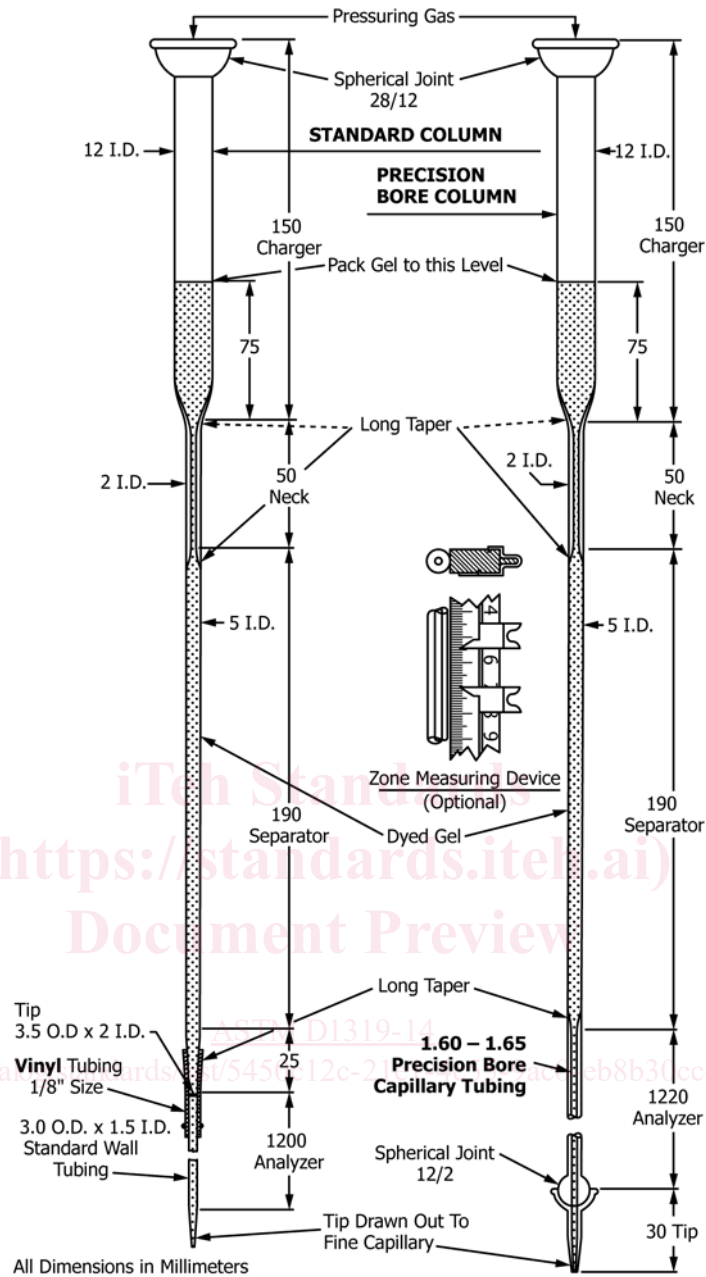


FIG. 1 Adsorption Columns with Standard Wall (left) and Precision Bore (right) Tubing in Analyzer Section

end of the 3-mm analyzer section having an integral porous support to retain the silica gel.

6.1.3 An alternative pressuring gas connection is shown in Fig. 2. Otherwise, all adsorption column dimensions and requirements are unchanged.

6.2 *Zone-Measuring Device*—The zones may be marked with a glass-writing pencil and the distances measured with a meter rule, with the analyzer section lying horizontally. Alternatively, the meter rule may be fastened adjacent to the column. In this case, it is convenient to have each rule fitted

with four movable metal index clips (Fig. 1) for marking zone boundaries and measuring the length of each zone.

6.3 *Ultraviolet Light Source*, with radiation predominantly at 365 nm is required. A convenient arrangement consists of one or two 915 or 1220-mm units mounted vertically along the apparatus. Adjust to give the best fluorescence.

6.4 *Electric Vibrator*, for vibrating individual columns or the frame supporting multiple columns.

TABLE 1 Tolerance Limits to Column Dimensions

Standard Column Dimensions	
Charger Section	Inside diameter = 12 ± 2 mm Pack gel to this level = approximately 75 mm Overall length = 150 ± 5 mm
Neck Section	Inside diameter = 2 ± 0.5 mm Overall length = 50 ± 5 mm
Separator Section	Inside diameter = 5 ± 0.5 mm Overall length = 190 ± 5 mm
Long taper section below separator	Tip outside diameter = 3.5 ± 0.5 mm Tip inside diameter = 2 ± 0.5 mm Overall length = 25 ± 2 mm
Analyzer Section	Inside diameter = 1.5 ± 0.5 mm Standard wall tubing Overall length = 1200 ± 30 mm
Precision Bore Column Dimensions	
Charger section	Inside diameter = 12 ± 2 mm Pack gel to this level = approximately 75 mm Overall length = 150 ± 5 mm
Neck Section	Inside diameter = 2 ± 0.5 mm Overall length = 50 ± 5 mm
Separator Section	Inside diameter = 5 ± 0.5 mm Overall length = 190 ± 5 mm
Analyzer Section	Inside diameter = 1.60-1.65 mm Overall length = 1200 ± 30 mm
Tip	Overall length = 30 ± 5 mm

6.5 *Hypodermic Syringe*, 1 mL, graduated to 0.01 or 0.02 mL, with needle 102 mm in length. Needles of No. 18, 20, or 22 gauge are satisfactory.

6.6 *Regulator(s)*, capable of adjusting and maintaining the pressure within the 0 to 103 kPa delivery range.

7. Reagents and Materials

7.1 *Silica Gel*,⁵ manufactured to conform to the specifications shown in Table 2. Determine the pH of the silica gel as follows: Calibrate a pH meter with standard pH 4 and pH 7 buffer solutions. Place 5 g of the gel sample in a 250-mL beaker. Add 100 mL of water and a stirring bar. Stir the slurry on a magnetic stirrer for 20 min and then determine the pH with the calibrated meter. Before use, dry the gel in a shallow vessel at 175°C for 3 h. Transfer the dried gel to an air tight container while still hot, and protect it thereafter from atmospheric moisture.

NOTE 2—Some batches of silica gel that otherwise meet specifications have been found to produce olefin boundary fading. The exact reason for this phenomenon is unknown but will affect accuracy and precision.

⁵ If you are aware of alternative suppliers, please provide this information to ASTM International Headquarters. Your comments will receive careful consideration at a meeting of the responsible technical committee,¹ which you may attend.

7.2 *Fluorescent Indicator Dyed Gel*—A standard dyed gel,^{5,6} consisting of a mixture of recrystallized Petrol Red AB4 and purified portions of the olefin and aromatic dyes obtained by chromatographic adsorption, following a definite, uniform procedure, and deposited on silica gel. The dyed gel shall be stored in a dark place under an atmosphere of nitrogen. When stored under these conditions, the dyed gel can have a shelf life of at least five years. It is recommended that portions of the dyed gel be transferred as required to a smaller working vial from which the dyed gel is routinely taken for analyses.

7.3 *Isoamyl Alcohol*, (3-methyl-1-butanol) 99 %.
(Warning—Flammable. Health hazard.)

7.4 *Isopropyl Alcohol*, (2-propanol) minimum 99 % purity.
(Warning —Flammable. Health hazard.)

7.5 *Pressuring Gas*—Air (or nitrogen) delivered to the top of the column at pressures controllable over the range from 0 to 103 kPa gauge. (Warning—Compressed gas under high pressure.)

7.6 *Acetone*, reagent grade, residue free. (Warning—Flammable. Health hazard.)

7.7 *Buffer Solutions*, pH 4 and 7.

8. Sampling

8.1 Obtain a representative sample in accordance with sampling procedures in Practice D4057. For samples that would meet volatility conditions of Group 2 or less of Test Method D86, ensure that the sample is maintained at a temperature of ≤4°C when opening or transferring the sample. (Warning—Flammable. Health hazard.)

9. Preparation of Apparatus

9.1 Mount the apparatus assembly in a darkened room or area to facilitate observation of zone boundaries. For multiple determinations, assemble an apparatus that includes the ultraviolet light source, a rack to hold the columns, and a gas manifold system providing a connection to the desired number of columns.

10. Procedure

10.1 Ensure that the silica gel is tightly packed in the column and charger section (up to the appropriate level), which includes the appropriate amount of dyed gel (3 to 5 mm) added to an approximately half-full separator section, prior to the start of the sample analysis. See Note 3 for specific guidance.

NOTE 3—One way to prepare the column for analysis is to freely suspend the column from a loose-fitting clamp placed immediately below the pressuring gas connection of the charger section. While vibrating the column along its entire length, add small increments of silica gel through a glass funnel into the charger section until the separator section is half full. Stop the vibrator and add a 3 to 5-mm layer of dyed gel. Start the vibrator and vibrate the column while adding additional silica gel. Continue to add silica gel until the tightly packed gel extends approximately 75 mm into the charger section. Wipe the length of the column with

⁶ The sole source of supply of the standard dyed gel known to the committee at this time is produced by UOP LLC, and distributed by Advanced Specialty Gas Equipment Inc, 241 Lackland Drive, Middlesex, New Jersey 08846. Request "FIA Standard Dyed Gel," UOP LLC Product No. 80675.