
INTERNATIONAL STANDARD



3553

INTERNATIONAL ORGANIZATION FOR STANDARDIZATION • МЕЖДУНАРОДНАЯ ОРГАНИЗАЦИЯ ПО СТАНДАРТИЗАЦИИ • ORGANISATION INTERNATIONALE DE NORMALISATION

Road vehicles — High tension connection for ignition coils and distributors

Véhicules routiers — Raccord à haute tension pour bobines et distributeurs d'allumage

First edition — 1975-08-15

iteh STANDARD PREVIEW
(standards.iteh.ai)

[ISO 3553:1975](#)

<https://standards.iteh.ai/catalog/standards/sist/43a2b774-0141-4af8-a574-f4598dbd4990/iso-3553-1975>

UDC 621.43.04

Ref. No. ISO 3553-1975 (E)

Descriptors : road vehicles, spark ignition engines, electric connectors, ignition coils, distributors, ignition system, high voltage, dimensions, specification.

Price based on 3 pages

FOREWORD

ISO (the International Organization for Standardization) is a worldwide federation of national standards institutes (ISO Member Bodies). The work of developing International Standards is carried out through ISO Technical Committees. Every Member Body interested in a subject for which a Technical Committee has been set up has the right to be represented on that Committee. International organizations, governmental and non-governmental, in liaison with ISO, also take part in the work.

Draft International Standards adopted by the Technical Committees are circulated to the Member Bodies for approval before their acceptance as International Standards by the ISO Council.

International Standard ISO 3553 was drawn up by Technical Committee ISO/TC 22, *Road vehicles*, and circulated to the Member Bodies in September 1974.

(standards.iteh.ai)

It has been approved by the Member Bodies of the following countries :

Australia	Hungary	Switzerland
Austria	Iran	Turkey
Belgium	Italy	United Kingdom
Chile	Netherlands	U.S.S.R.
Czechoslovakia	Portugal	Yugoslavia
France	South Africa, Rep. of	
Germany	Sweden	

The Member Body of the following country expressed disapproval of the document on technical grounds :

Canada

Road vehicles – High tension connection for ignition coils and distributors

iTeh STANDARD PREVIEW (standards.iteh.ai)

1 SCOPE

This International Standard specifies the essential dimensional characteristics of a high tension connection for ignition coils and distributors used for spark ignition engines. Details not specified are left to the manufacturer's choice.

2 FIELD OF APPLICATION

This International Standard applies to the high tension socket and to the high tension cable connector Type "A" (see figures 1 and 2).

NOTE – Type "A" socket and connector is the preferred type.

The type "B" socket and connector shown in the annex to this International Standard is admitted.

3 REQUIRED CHARACTERISTICS

3.1 Tower height and depth of socket

The nominal values of dimension A are 10, 14 and 20 mm.

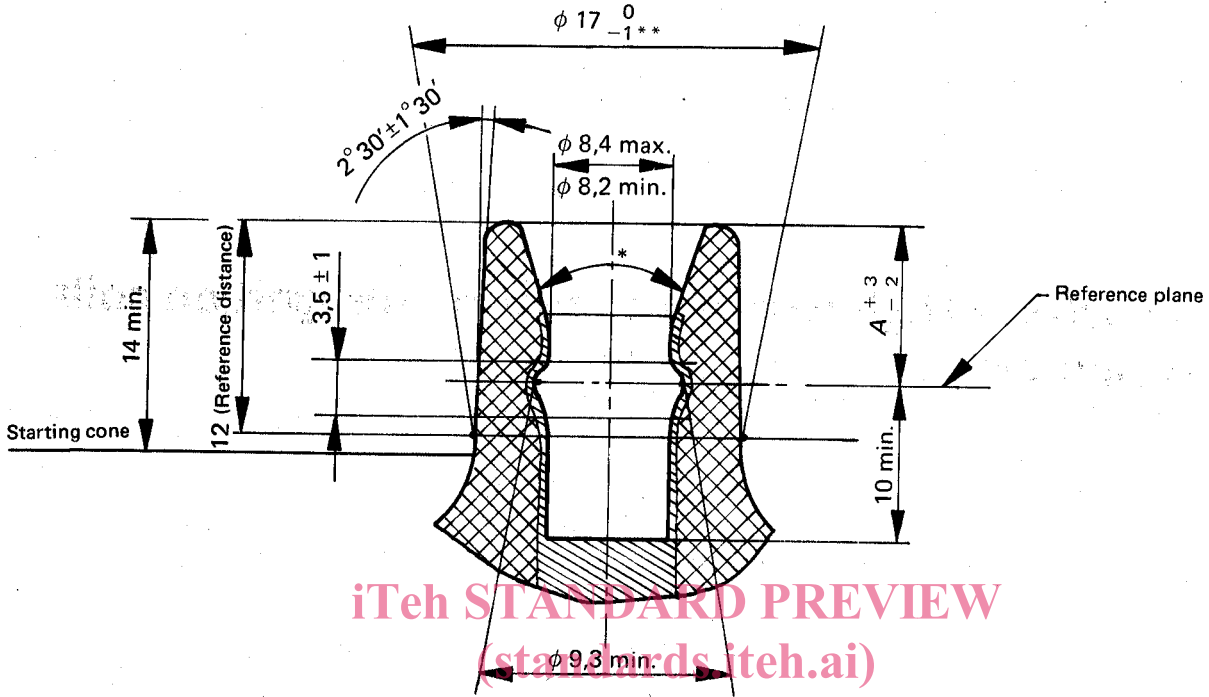
The dimensions A and 10 min. shall be measured from the orthogonal reference plane to the vertical axis defined by the greatest diameter of the groove. This diameter need not be situated in the middle of the groove. Only the dimensions specified must be respected.

3.2 Other dimensions

The other dimensions are indicated on figures 1 and 2.

SOCKET AND CONNECTOR TYPE "A"

Dimensions in millimetres



iTeh STANDARD PREVIEW
(standards.iteh.ai)

ISO 3553:1975

<https://standards.iteh.ai/standards/ISO/3553-1975>
FIGURE 1 — Socket type "A"

* Internal taper in the plastic and/or the metallic part to facilitate insertion of the connector.

** Instead of the dimension $17 \begin{smallmatrix} 0 \\ -1 \end{smallmatrix}$ mm the value of $19 \begin{smallmatrix} 0 \\ -1 \end{smallmatrix}$ mm is permitted for coils when the method of manufacture of the high tension insert so required.

For distributors whose outlets are perpendicular to the axis of the distributor and are located on one side the dimension of $15 \pm 0,5$ mm is permitted.

Dimensions in millimetres

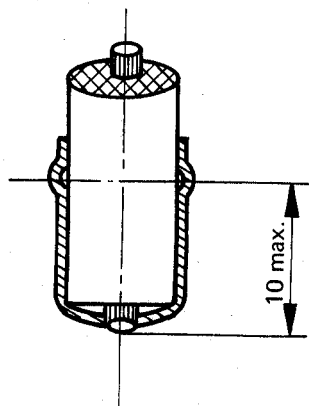


FIGURE 2 — Connector type "A" (example)

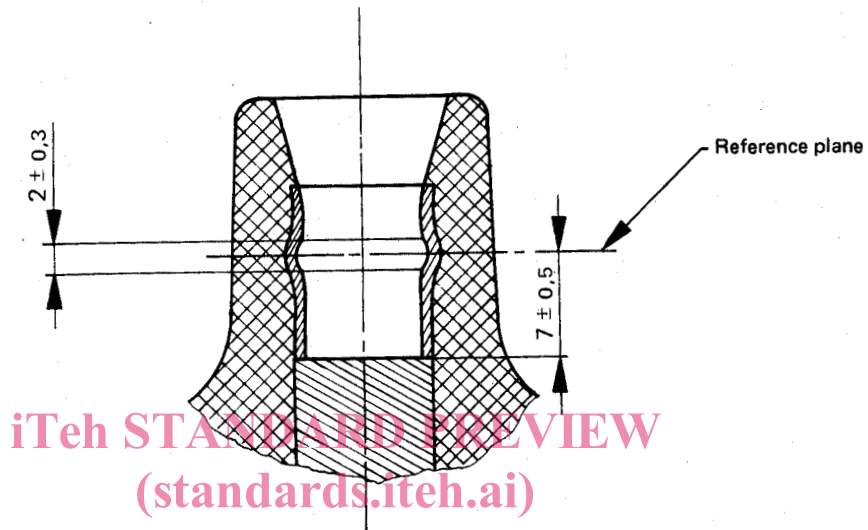
ANNEX

SOCKET AND CONNECTOR TYPE "B"

Socket type "B" shall only be used with connector type "B".

Socket type "B" conforms to socket type "A" except for the dimensions shown in figure 3.

Dimensions in millimetres



iTeh STANDARD PREVIEW
(standards.iteh.ai)

ISO 3553:1975

<https://standards.iteh.ai/catalog/standards/sist/43a2b774-0141-4a88-a574-f4598dbd4990/iso-3553-1975>
FIGURE 3 – Socket type "B"

Dimensions in millimetres

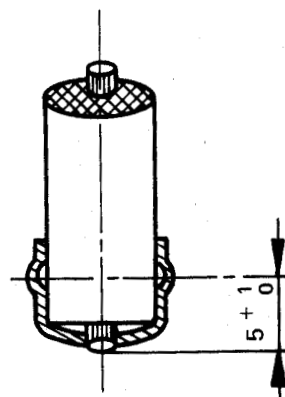


FIGURE 4 – Connector type "B" (example)

iTeh STANDARD PREVIEW
(standards.iteh.ai)

ISO 3553:1975

<https://standards.iteh.ai/catalog/standards/sist/43a2b774-0141-4af8-a574-f4598dbd4990/iso-3553-1975>

iTeh STANDARD PREVIEW
(standards.iteh.ai)

ISO 3553:1975

<https://standards.iteh.ai/catalog/standards/sist/43a2b774-0141-4af8-a574-f4598dbd4990/iso-3553-1975>

iTeh STANDARD PREVIEW
(standards.iteh.ai)

ISO 3553:1975

<https://standards.iteh.ai/catalog/standards/sist/43a2b774-0141-4af8-a574-f4598dbd4990/iso-3553-1975>