



Designation: ~~C1540 – 11~~ **C1540 – 14**

Standard Specification for Heavy Duty Shielded Couplings Joining Hubless Cast Iron Soil Pipe and Fittings¹

This standard is issued under the fixed designation C1540; the number immediately following the designation indicates the year of original adoption or, in the case of revision, the year of last revision. A number in parentheses indicates the year of last reapproval. A superscript epsilon (ϵ) indicates an editorial change since the last revision or reapproval.

1. Scope

1.1 This specification covers the evaluating of the performance of heavy duty shielded couplings to join hubless cast iron soil pipe and fittings.

1.2 Couplings covered by this standard shall have ~~minimum~~ **nominal** dimensions as found in **Table 1** and **Fig. 1** of this standard.

~~1.3 The committee with jurisdiction over this standard is aware of comparable standards published by other organizations, namely Cast Iron Soil Pipe Institute specification CISPI-310 and Factory Mutual Research standard FM 1680.~~

1.3 The values stated in inch-pound units are to be regarded as standard. The values given in parentheses are mathematical conversions to SI units that are provided for information only and are not considered standard.

1.4 The following precautionary caveat pertains only to the test method portion, Section 7, of this specification. *This standard does not purport to address all of the safety concerns, if any, associated with its use. It is the responsibility of the user of this standard to establish appropriate safety and health practices and determine the applicability of regulatory limitations prior to use.*

2. Referenced Documents

2.1 *ASTM Standards:*²

A240/A240M Specification for Chromium and Chromium-Nickel Stainless Steel Plate, Sheet, and Strip for Pressure Vessels and for General Applications

A493 Specification for Stainless Steel Wire and Wire Rods for Cold Heading and Cold Forging

A644 Terminology Relating to Iron Castings

A888 Specification for Hubless Cast Iron Soil Pipe and Fittings for Sanitary and Storm Drain, Waste, and Vent Piping Applications

C564 Specification for Rubber Gaskets for Cast Iron Soil Pipe and Fittings

D3677 Test Methods for Rubber—Identification by Infrared Spectrophotometry

2.2 *CISPI Standards:*³

CISPI-301 Specification for Hubless Cast Iron Soil Pipe and Fittings for Sanitary and Storm Drain, Waste and Vent Piping Applications

CISPI-310 Specification for couplings for use in Connection with Hubless Cast Iron Soil Pipe and Fittings for Sanitary and Storm Drain, Waste and Vent Piping Applications

2.3 *Factory Mutual Standards:*⁴

FM 1680 Approval Standard for Couplings Used in Hubless Cast Iron Systems for Drain, Waste or Vent, Sewer, Rainwater or Storm Drain Systems Above and Below Ground, Industrial/Commercial and Residential

3. Terminology

3.1 ~~Definitions:~~ Definitions of the following terms used in this specification are found in Terminology **A644**.

3.1.1 ~~Definitions of the following terms used in this specification are found in Terminology A644.~~

¹ This specification is under the jurisdiction of ASTM Committee **A04** on Iron Castings and is the direct responsibility of Subcommittee **A04.75** on Gaskets and Coupling for Plumbing and Sewer Piping.

Current edition approved ~~June 1, 2011~~ Oct. 1, 2014. Published ~~July 2011~~ February 2015. Originally approved in 2002. Last previous edition approved in ~~2009~~ 2011 as ~~C1540 – 09a~~ C1540 – 11. DOI: ~~10.1520/C1540-11~~ 10.1520/C1540-14.

² For referenced ASTM standards, visit the ASTM website, www.astm.org, or contact ASTM Customer Service at service@astm.org. For *Annual Book of ASTM Standards* volume information, refer to the standard's Document Summary page on the ASTM website.

³ Available from Cast Iron Soil Pipe Institute (CISPI), 5959 Shallowford Rd., Suite 419, Chattanooga, TN 37421, http://www.cispi.org.

⁴ Available from FM Approvals, P.O. Box 9102, Norwood, MA 02062. http://www.fmglobal.com.

TABLE 1

Nominal Pipe Size	Coupling Width
1½ to 4 in. (38 to 100 mm)	3 in. (76 mm) Minimum Width
5 to 10 in. (127 to 254 mm)	4 in. (100 mm) Minimum Width
12 to 15 in. (305 to 381 mm)	5½ in. (140 mm) Minimum Width

TABLE 1

Nominal Pipe Size	Nominal Coupling Width
1½ to 4 in. (38 to 100 mm)	3 in. (76 mm)
5 to 10 in. (127 to 254 mm)	4 in. (100 mm)
12 to 15 in. (305 to 381 mm)	5½ in. (140 mm)

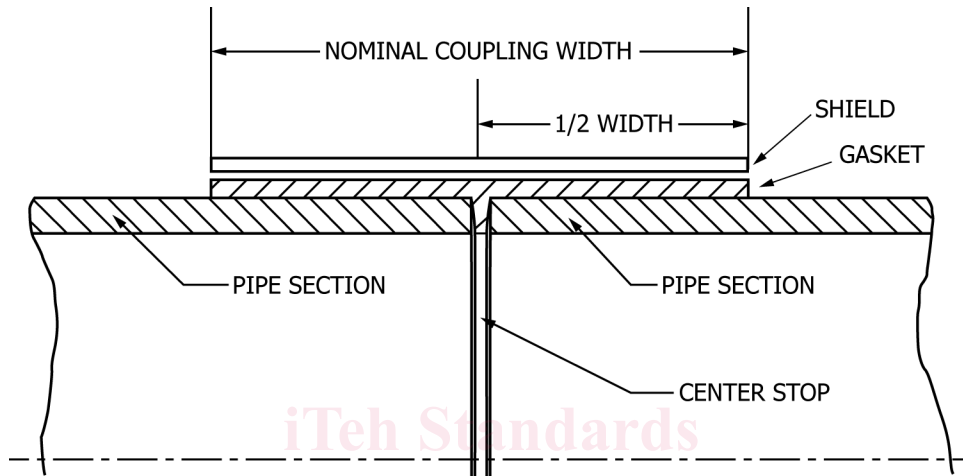


FIG. 1 Typical Center Stop Detail

3.2 Definitions of Terms Specific to This Standard:

- 3.2.1 *center stop, n*—an integral part of the gasket centered on the axial length of the gasket intended to limit the insertion depth of the pipe to be coupled.
- 3.2.2 *clamp assembly, n*—that portion of the coupling excluding the gasket.
- 3.2.3 *coupling, n*—the complete assembly.
- 3.2.4 *coupling manufacturer, n*—the entity that attaches the coupling assembly to the shield of the couplings covered by this standard specification; assembles the gasket with the clamp and shield assembly.
- 3.2.5 *fitting, n*—parts of a pipeline other than straight pipes, valves, or couplings.
- 3.2.6 *gasket, n*—the elastomeric portion of the coupling.
- 3.2.7 *gasket manufacturer, n*—the entity that molds the gaskets inserted into the couplings covered by this standard specification.
- 3.2.8 *heavy duty coupling, n*—a shielded coupling that has dimensions not less than those detailed in Table 1 and Fig. 1.
- 3.2.9 *joint, n*—the point of assembly consisting of the coupling and the joined pipes or fittings, or both.
- 3.2.10 *shield, n*—an external metallic protective device designed to protect the sealing gasket from external elements that could cause failure of the sealing assembly.

4. Materials and Manufacture

- 4.1 Physical and chemical properties of gaskets shall comply with Specification C564 using the applicable durometer hardness requirement of the column in accordance with Column “C” of Table 1 of Table 2 of that document as specified by the manufacturer that document. Typical dimensions shall be in accordance with Fig. 2 and Table 2.
- 4.2 Clamp assembly screws or bolts shall not have screwdriver slots.
- 4.3 All stainless steel shall meet the physical requirements of Specification A240/A240M.

5. Elastomeric Gasket Requirements

- 5.1 The gasket shall be tested in accordance with Test Methods D3677 and be manufactured from a properly vulcanized virgin compound where the primary elastomer is polychloroprene (neoprene).

**TABLE 2 Dimensional Tolerances for Rubber—Standard
Dimensional Tolerances RMA CLASS 3**

Size, in.	Fixed, ±	Closure, ±
0 to 0.499	0.010	0.015
0.500 to 0.999	0.010	0.018
1.000 to 1.999	0.015	0.020
2.000 to 2.999	0.020	0.025
3.000 to 3.999	0.025	0.030
4.000 to 4.999	0.030	0.035
5.000 to 7.999	0.035	0.050

5.2 The elastomeric gasket shall consist of one piece construction conforming to the physical requirements of Specification C564. The gaskets shall be tested by the gasket manufacturer for compliance to Specification C564 during the course of production not to exceed 24 hours for each size of gasket being produced. These tests shall be performed at the manufacturer location during the a minimum of 24 hours after production, but not longer than 72 hours after time of production. These tests shall include hardness, elongation and tensile strength, tear strength and compression set. Heat, aging, water absorption, ozone resistance and oil immersion tests shall be conducted annually or when a formulation changes, or a supplier changes, whichever occurs first.

5.2.1 The elastomeric gasket shall have an inside center stop that does not create an enlargement chamber or recess with a ledge, shoulder, or reduction of pipe area or offer an obstruction to flow.

5.2.2 The elastomeric gasket shall be free of defects that affect the use and serviceability.

6. Clamp Assembly Requirements

6.1 The clamp assembly shall be made of material conforming to the requirements as outlined in Sections 4 and 6, Table 3, and Fig. 3.

6.1.1 All metallic parts shall be of 300 series stainless steel and shall conform to the requirements of Specification A240/A240M. All metallic parts made from round stock shall be of 300 series stainless steel and shall conform to the requirements of Specification A493 (excluding copper bearing alloys).

6.1.2 Clamp assemblies shall be tested to withstand no less than 125 % of the manufacturers stated installation torque without visible signs of failure. The clamp assembly shall be tested over a steel mandrel of the appropriate diameter and torqued as required. These tests shall be performed on randomly selected samples during the course of production as needed, but not less than one clamp per shift per size during clamp assembly production.

7. Couplings Requirements and Test Methods

7.1 Assemble each coupling to be tested according to the manufacturer's instructions between two sections of randomly selected hubless cast iron soil pipe meeting the requirements of CISPI 301 or Specification A888 and conduct deflection and shear tests. In addition, unrestrained hydrostatic tests shall be performed as detailed in 7.2. The deflection and shear tests shall be performed on each size and type coupling utilizing first article approval as required not to exceed 120 days. The unrestrained hydrostatic test shall be performed on randomly selected couplings of each size during the course of production using first article selection not to exceed 30 days.

7.1.1 Deflection Test:

7.1.1.1 A test apparatus such as the one shown in Fig. 24 is suggested. Other testing apparatus that provide restraint to the assembly shall also be permitted. Close the outboard ends of the pipe with test plugs.

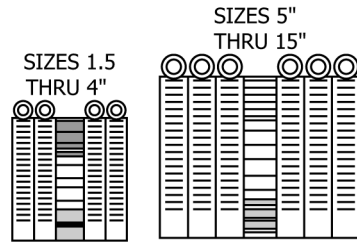
7.1.1.2 Fill the assembly with water, expel all air, and hydrostatically pressurize to 8.6 psi (59.3 kPa) for the duration of the test. One pipe shall be rigidly supported and while the assembly is under pressure, raise the opposite end of the other pipe 1 in. (25 mm) per lineal foot of pipe. Maintain the pressure for 15 min. Any leakage shall mean failure.

7.1.2 Shear Test:

7.1.2.1 Support two joined lengths of randomly selected hubless cast iron soil pipe on blocks, a minimum of 1½ in. (38.1 mm) high, at three locations. One length shall be a minimum of 24 in. (609.6 mm) in length, supported on blocks, one near the uncoupled end, and the other immediately adjacent to the couplings. Firmly restrain this length in position as shown in Fig. 35. The other coupled length shall be a minimum of 5 ft (1.52 m) in length and supported by a single block 6 in. (152.4 mm) from the end of the pipe.

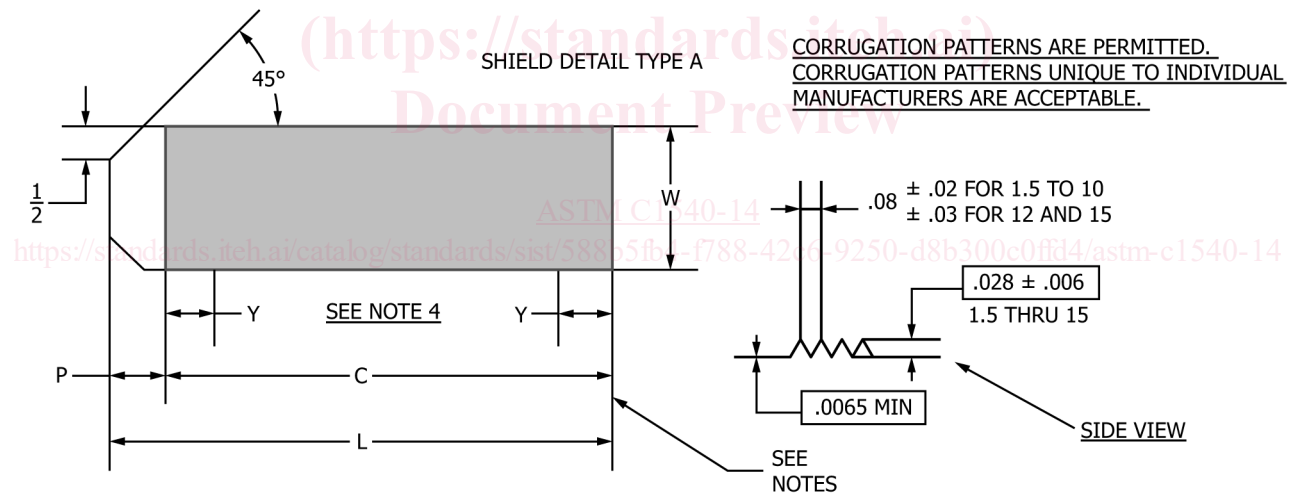
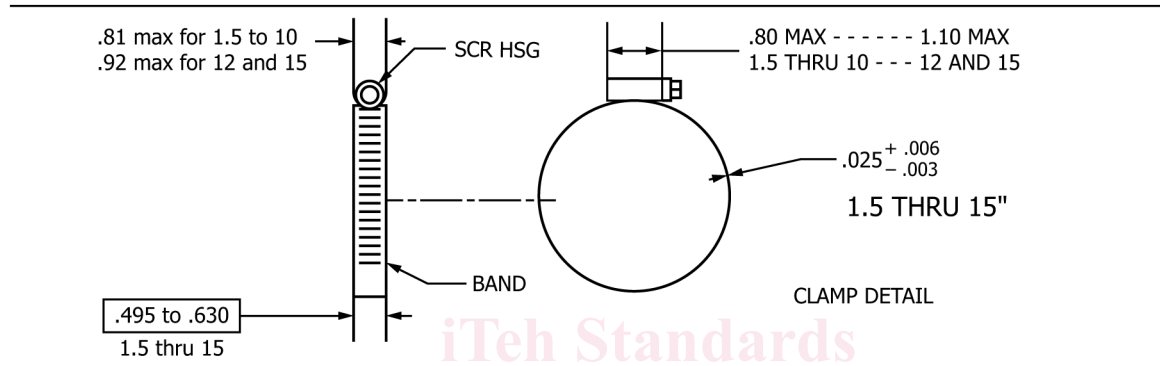
7.1.2.2 Fill the assembly with water and expel all air. Apply a load of 50 lb per in. (22.7 kg) of nominal diameter at a point 6 in. (152.4 mm) from the edge of the coupling upon a 12 in. (304.8 mm) length of 3 by 3 in. (76.2 by 76.2 mm) angle iron or load distribution pad located on the top of the pipe immediately adjacent to the coupling of the pipe having one support only. Under this loading there shall be no visible leakage or displacement of more than ⅜ in. (9.53 mm) from true alignment adjacent to the coupling, when an internal pressure equivalent to a 20 ft (6.10 m) head of water 8.6 psi (59.3 kPa) is applied. Maintain the load and internal pressure for 15 min.

7.2 Unrestrained Hydrostatic Joint Test:



SHIELD AND CLAMP ASSEMBLY

MANUFACTURERS MAY HAVE DIFFERENT NUMBER OF CLAMPS BASED ON THEIR COUPLING DESIGNS



1. SINGLE CORRUGATIONS ARE SHOWN IN DRAWING SIDE VIEW. THE "P" DIMENSION MIGHT NOT APPLY TO ALL COUPLING DESIGNS.

2. THE "P" DIMENSION (IF APPLICABLE), IS PERMITTED ON EITHER END OF THE CORRUGATED SHIELD.

3. MEASURE CORRUGATION MATERIAL THICKNESS AND FORMED THICKNESS WITH CALIPERS OR DISC MICROMETER

4. ON CORRUGATED SHIELDS, TAPERING OF CORRUGATIONS IS ALLOWED AT EITHER END TO IMPROVE FUNCTIONALITY.

FIG. 3 Shield and Clamp Assembly.

NOTE 1—8.000 and over—multiplied by 0.0050. These are commercial tolerances. All diametric dimensions shall have a tolerance of ± 1 %.