



Designation: **A688/A688M—12 A688/A688M – 15**

Standard Specification for Seamless and Welded Austenitic Stainless Steel Feedwater Heater Tubes¹

This standard is issued under the fixed designation A688/A688M; the number immediately following the designation indicates the year of original adoption or, in the case of revision, the year of last revision. A number in parentheses indicates the year of last reappraisal. A superscript epsilon (ϵ) indicates an editorial change since the last revision or reappraisal.

1. Scope*

1.1 This specification² covers seamless and welded austenitic stainless steel feedwater heater tubes including those bent, if specified, into the form of U-tubes for application in tubular feed-water heaters.

1.2 The tubing sizes covered shall be $\frac{5}{8}$ to 1 in. [15.9 to 25.4 mm] inclusive outside diameter, and average or minimum wall thicknesses of 0.028 in. [0.7 mm] and heavier.

1.3 The values stated in either SI units or inch-pound units are to be regarded separately as standard. Within the text, the SI units are shown in brackets. The values stated in each system may not be exact equivalents; therefore, each system shall be used independently of the other. Combining values from the two systems may result in non-conformance with the standard.

2. Referenced Documents

2.1 ASTM Standards:³

[A262 Practices for Detecting Susceptibility to Intergranular Attack in Austenitic Stainless Steels](#)

[A480/A480M Specification for General Requirements for Flat-Rolled Stainless and Heat-Resisting Steel Plate, Sheet, and Strip](#)

[A941 Terminology Relating to Steel, Stainless Steel, Related Alloys, and Ferroalloys](#)

[A1016/A1016M Specification for General Requirements for Ferritic Alloy Steel, Austenitic Alloy Steel, and Stainless Steel Tubes](#)

[E112 Test Methods for Determining Average Grain Size](#)

[E527 Practice for Numbering Metals and Alloys in the Unified Numbering System \(UNS\)](#)

2.2 Other Standard:

[SAE J1086 Practice for Numbering Metals and Alloys \(UNS\)⁴](#)

3. Terminology

3.1 *Definitions of Terms*—For definitions of terms used in this specification, refer to Terminology [A941](#).

4. Ordering Information

4.1 It is the responsibility of the purchaser to specify all requirements that are necessary for material under this specification. Such requirements may include, but are not limited to, the following:

4.1.1 Quantity (length or number of pieces),

4.1.2 Material description (seamless or welded),

4.1.3 Dimensions—Outside diameter, wall thickness (minimum or average wall), and length,

4.1.4 Grade (chemical composition) ([Table 1](#)),

4.1.5 U-bend requirements, if order specifies bending, U-bend schedules or drawings shall accompany the order,

4.1.6 Optional requirements—Purchaser shall specify if annealing of the U-bends is required or whether tubes are to be hydrotested or air tested (see [11.8](#))

¹ This specification is under the jurisdiction of ASTM Committee [A01](#) on Steel, Stainless Steel and Related Alloys and is the direct responsibility of Subcommittee [A01.10](#) on Stainless and Alloy Steel Tubular Products.

Current edition approved ~~March 1, 2012~~ March 1, 2015. Published ~~April 2012~~ March 2015. Originally approved in 1973. Last previous edition approved in ~~2011~~ 2012 as [A688/A688M—11—12](#). DOI: ~~10.1520/A0688_A0688M-12~~ 10.1520/A0688_A0688M-15.

² For ASME Boiler and Pressure Vessel Code applications see related Specification SA-688 in Section II of that Code.

³ For referenced ASTM standards, visit the ASTM website, www.astm.org, or contact ASTM Customer Service at service@astm.org. For *Annual Book of ASTM Standards* volume information, refer to the standard's Document Summary page on the ASTM website.

⁴ Available from Society of Automotive Engineers (SAE), 400 Commonwealth Dr., Warrendale, PA 15096-0001, <http://www.sae.org>.

*A Summary of Changes section appears at the end of this standard

TABLE 1 Chemical Requirements

Element	Grade.....	TP 304	TP 304L	TP 304LN	TP 316	TP 316L	TP 316LN	TP XM-29	TP 304N	TP 316N	...	800	800H
	UNS Designation ^A	S30400	S30403	S30453	S31600	S31603	S31653	S24000	S30451	S31651	N08367	N08800	N08810	N08811	N08926	S31254	S32654
Composition, %																	
Carbon, max		0.08	0.035	0.035	0.08	0.035	0.035	0.060	0.08	0.08	0.030	0.10	0.05– 0.10	0.06– 0.10	0.020	0.020	0.020
Manganese, max ^B		2.00	2.00	2.00	2.00	2.00	2.00	11.50– 14.50	2.00	2.00	2.00	1.50	1.50	1.50	2.00	1.00	2.0–4.0
Phosphorus, max		0.040	0.040	0.040	0.040	0.040	0.040	0.060	0.040	0.040	0.040	0.045	0.045	0.045	0.03	0.030	0.030
Sulfur, max		0.030	0.030	0.030	0.030	0.030	0.030	0.030	0.030	0.030	0.030	0.015	0.015	0.015	0.01	0.010	0.005
Silicon, max		0.75	0.75	0.75	0.75	0.75	0.75	1.00	0.75	0.75	1.00	1.00	1.00	1.00	0.5	0.80	0.50
Nickel		8.00– 11.00	8.00– 13.00	8.00– 13.00	10.00– 14.00	10.00– 15.00	10.00– 15.00	2.25– 3.75	8.00– 11.0	10.00– 14.00	23.50– 25.50	30.0– 35.0	30.0– 35.0	30.0– 35.0	24.00– 26.00	17.5– 18.5	21.0– 23.0
Chromium		18.00– 20.00	18.00– 20.00	18.00– 20.00	16.00– 18.00	16.00– 18.00	16.00– 18.00	17.00– 19.00	18.0– 20.0	16.0– 18.0	20.00– 22.00	19.00– 23.0	19.00– 23.0	19.00– 23.0	19.00– 21.00	19.5– 20.5	24.0– 25.0
Molybdenum		2.00– 3.00	2.00– 3.00	2.00– 3.00	2.00– 3.00	6.00– 7.00	6.0– 7.0	6.0– 6.5	7.0– 8.0
Nitrogen ^C		0.10– 0.16	0.10– 0.16	0.20– 0.40	0.10– 0.16	0.10– 0.16	0.18– 0.25	0.15– 0.25	0.18– 0.22	0.45– 0.55
Copper		0.75 max	0.75	0.75	0.75	0.5–1.5	0.50–1.00	0.30–0.60
Titanium		0.15– 0.60	0.15– 0.60	0.15– 0.60 ^D
Titanium		0.15– 0.60	0.15– 0.60	0.25– 0.60 ^D
Aluminum		0.15– 0.60	0.15– 0.60	0.15– 0.60 ^D
Aluminum		0.15– 0.60	0.15– 0.60	0.25– 0.60 ^D
Others		Fe 39.5 Min. ^E	Fe 39.5 Min. ^E	Fe 39.5 Min. ^E

^A New designation established in accordance with Practice E527 and SAE J1086.

^B Maximum, unless otherwise noted.

^C The method of analysis for nitrogen shall be a matter of agreement between the purchaser and manufacturer.

^D(Al + Ti) = 0.85 – 1.20.

^EFe shall be determined arithmetically by difference of 100 minus the sum of the other specified elements.



4.1.7 Supplementary requirements—Purchaser shall specify on the purchase order if material is to be eddy current tested in accordance with Supplementary Requirements S1 or S2, and if special test reports are required under Supplementary Requirement S3, and,

4.1.8 Any additional special requirements.

5. General Requirements

5.1 Material furnished to this specification shall conform to the applicable requirements of the latest published edition of Specification **A1016/A1016M** unless otherwise provided herein.

6. Materials and Manufacture

6.1 The tube shall be manufactured by either the seamless or welded and cold worked process.

6.2 *Seamless Tubing:*

6.2.1 Seamless tubing shall be supplied from a cold finishing process. Hot finishing as the final sizing process is not allowed.

6.3 *Welded Tubing:*

6.3.1 The tube shall be made from flat-rolled steel by an automatic welding process with no addition of filler metal.

6.3.2 Subsequent to welding and prior to final heat treatment, the tubes shall be cold worked either in both the weld and base metal, or in the weld metal only. The method of cold work may be specified by the purchaser. When cold drawn, the purchaser may specify the minimum amount of reduction in cross-sectional area or wall thickness, or both.

6.4 Many surface contaminants may have detrimental effects on high temperature properties or corrosion resistance of tubing. Contamination by copper, lead, mercury, zinc, chlorides, or sulfur may be detrimental to stainless steels. The manufacturer shall employ techniques that minimize surface contamination by these elements.

7. Cleaning Before Annealing

7.1 All lubricants or coatings used in the manufacture of straight-length tube or in the bending shall be removed from all surfaces prior to any annealing treatments. U-bends on which a lubricant had been applied to the inside surface during bending shall have the cleanness of their inside surface confirmed by blowing close fitting acetone-soaked felt plugs through 10 % of the tubes of each bend radius. Dry, oil-free, air or inert gas shall be used to blow the plugs through the tubes. If the plugs blown through any tube shows more than a light gray discoloration, all tubes that have had a lubricant applied to the inside surface during bending shall be recleaned. After recleaning 10 % of the tubes of each bend radius whose inside surface had been subjected to bending lubricants shall be retested.

8. Heat Treatment

8.1 All finished straight tubing or straight tubing ready for U-bending shall be furnished in the solution-annealed condition. The annealing procedure, except for N08367, S31254, S32654, N08810, N08811, and N08926, shall consist of heating the material to a minimum temperature of 1900 °F [1040 °C] followed by a rapid cooling to below 700 °F [370 °C]. The cooling rate shall be sufficiently rapid to prevent harmful carbide precipitation as determined in Section 13.

8.2 UNS N08367 shall be solution annealed at 2025 °F [1107 °C] minimum followed by rapid quenching.

8.3 N08926 shall be heat-treated at a minimum temperature of 2010 °F [1100 °C] followed by quenching in water or rapidly cooling by other means.

8.4 S31254, S32654, and N08811 shall be solution annealed at 2100 °F [1150 °C] minimum followed by rapid quenching.

8.5 N08810 shall be heat-treated to a minimum temperature of 2050 °F [1120 °C] minimum followed by rapid quenching.

8.6 If heat treatment of U-bends is specified, it shall satisfy the annealing procedure described above, and shall be done as follows:

8.6.1 The heat treatment shall be applied to the U-bend area plus approximately 6 in. [150 mm] of each leg beyond the tangent point of the U-bend.

8.6.2 If the heat treatment specified in 8.6 is accomplished by resistance-heating methods wherein electrodes are clamped to the tubes, the clamped areas shall be visually examined for arc burns. Burn indications shall be cause for rejection unless they can be removed by local polishing without encroaching upon minimum wall thickness.

8.6.3 Temperature control shall be accomplished through the use of optical or emission pyrometers, or both. No temperature-indicating crayons, lacquers, or pellets shall be used.

8.6.4 The inside of the tube shall be purged with a protective or an inert gas atmosphere during heating and cooling to below 700 °F [370 °C] to prevent scaling of the inside surface. The atmosphere should be noncarburizing.

9. Surface Condition

9.1 The straight tubes, after final annealing, shall be pickled using a solution of nitric and hydrofluoric acids followed by flushing and rinsing in water. If bright annealing is performed, this requirement does not apply.

9.2 A light oxide scale on the outside surface of U-bend area shall be permitted for tubes which have been electric-resistance heat treated after bending.

10. Chemical Composition

10.1 *Product Analysis:*

10.1.1 When requested in the purchase order, a product analysis shall be made by the supplier from one tube or coil of steel per heat. The chemical composition shall conform to the requirements shown in **Table 1**.

10.1.2 A product analysis tolerance of Specification **A480/A480M** shall apply. The product analysis tolerance is not applicable to the carbon content for material with a specified maximum carbon of 0.04 % or less.

10.1.3 If the original test for product analysis fails, retests of two additional lengths of flat-rolled stock or tubes shall be made. Both retests, for the elements in question, shall meet the requirements of this specification; otherwise all remaining material in the heat or lot shall be rejected, or at the option of the producer, each length of flat-rolled stock or tube may be individually tested for acceptance. Lengths of flat-rolled stock or tubes that do not meet the requirements of this specification shall be rejected.

11. Mechanical Requirements

11.1 *Tensile Properties:*

11.1.1 The material shall conform to the tensile properties shown in **Table 2**.

11.1.2 One tension test shall be made on a specimen for lots of not more than 50 tubes. Tension tests shall be made on specimens from two tubes for lots of more than 50 tubes.

11.2 *Hardness:*

11.2.1 Grade TP XM-29 and N08367 tubes shall have a hardness number not exceeding 100 HRB or its equivalent. Tubes of all other grades shall have a hardness number not exceeding 90 HRB or its equivalent. This hardness requirement is not to apply to the bend area of U-bend tubes which are not heat treated after bending.

11.2.2 Brinell or Rockwell hardness tests shall be made on specimens from two tubes from each lot.

11.3 *Reverse Bend Test (Welded Product):*

11.3.1 One reverse bend test shall be made on a specimen from each 1500 ft [460 m] of finished tubing.

11.3.2 A section 4 in. [100 mm] minimum in length shall be split longitudinally 90° on each side of the weld. The sample shall then be opened and bent around a mandrel with a maximum thickness of four times the wall thickness, with the mandrel parallel to the weld and against the original outside surface of the tube. The weld shall be at the point of maximum bend. There shall be no evidence of cracks, or of overlaps resulting from the reduction in thickness of the weld area by cold working. When the geometry or size of the tubing make it difficult to test the sample as a single piece, the sample may be sectioned into smaller pieces provided a minimum of 4 in. of weld is subjected to reverse bending.

11.3.3 The reverse bend test is not applicable when specified wall is 10 % or more of the specified outside diameter, or the wall thickness is 0.134 in. [3.4 mm] or greater, or the outside diameter size is less than 0.375 in. [9.5 mm]. Under these conditions, the reverse flattening test of Specification **A1016/A1016M** shall apply.

11.4 *Flattening Test (Seamless and Welded Products)*—Flattening tests shall be made on specimens from each end of one finished tube, not the one used for the flange test, from each lot.

11.5 *Flange Test (Welded Product)*—Flange tests shall be made on specimens from each end of one finished tube, not the one used for the flattening test, from each lot.

11.6 *Flaring Test (Seamless Product)*—Flaring tests shall be made on specimens from each end of one finished tube, not the one used for the flattening test, from each lot.

11.7 *Grain Size:*

11.7.1 The grain size of grades N08810 and N08811, as determined in accordance with Test Methods **E112**, shall be No. 5 or coarser.

11.8 *Pressure Test:*

11.8.1 Each straight tube or each U-tube after completion of the bending and post-bending heat treatment, shall be pressure tested in accordance with one of the following paragraphs as specified by the purchaser.

11.8.1.1 *Hydrostatic Test*—Each tube shall be given an internal hydrostatic test in accordance with Specification **A1016/A1016M**, except that the test pressure and hold time, when other than that stated in Specification **A1016/A1016M**, shall be agreed upon between purchaser and manufacturer.

11.8.1.2 *Pneumatic Test*—Each tube shall be examined by a pneumatic test (either air underwater or pneumatic leak test) in accordance with Specification **A1016/A1016M**.

11.9 *Lot Definitions:*

11.9.1 For flattening, flange, and flaring requirements, the term “lot” applies to 125 tube groupings, prior to cutting to length, of the same nominal size and wall thickness, produced from the same heat of steel and annealed in a continuous furnace.

TABLE 2 Tensile Requirements

Grade	304, 316	304L, 316L	XM-29	304N, 316N	304LN, 316LN	800	800H
UNS Designation	S30400, S31600	S30403, S31603	S24000	S30451, S31651	S30453, S31653	N08367 t ≤ 0.187	N08367 t > 0.187	N08800	N08810	N08811	N08926	S31254 t ≤ 0.187	S31254 t > 0.187	S32654
Tensile strength, min ksi [MPa]	75 [515]	70 [485]	100 [690]	80 [550]	75 [515]	100 [690]	95 [655]	75 [520]	65 [450]	65 [450]	94 [650]	100 [690]	95 [655]	120 [825]
Yield strength, min ksi [MPa]	30 [205]	25 [175]	55 [380]	35 [240]	30 [205]	45 [310]	45 [310]	30 [205]	25 [170]	25 [170]	43 [295]	45 [310]	45 [310]	65 [450]
Elongation in 2 in. or 50 mm, min, %	35	35	35	35	35	30	30	30	30	30	35	35	35	40

ASTM A688/A688M-15
[/standards.iteh.ai/catalog/standards/sist/5da41-42be-be3b-ecf7a7ce693e/astm-a688-a688](https://standards.iteh.ai/catalog/standards/sist/5da41-42be-be3b-ecf7a7ce693e/astm-a688-a688)

11.9.2 For tension and hardness, the term “lot” applies to all tubes, prior to cutting to length, of the same nominal diameter and wall thickness, produced from the same heat of steel and annealed in a continuous furnace at the same temperature, time at temperature, and furnace speed.

12. Nondestructive Test (Electric Test)

12.1 Each straight tube shall be tested after the finish heat treatment by passing it through a nondestructive tester capable of detecting defects on the entire cross section of the tube, in accordance with Specification **A1016/A1016M**.

13. Corrosion Resisting Properties

13.1 One full section sample 1 in. [25.4 mm] long from the center of a sample tube of the smallest radius bend which is heat treated shall be tested in the heat treated condition in accordance with Practices **A262**.

13.2 One full-section sample 1 in. [25.4 mm] long from each lot of straight tubes shall be tested in the finished condition in accordance with Practices **A262**.

13.3 The appearance of any fissures or cracks in the test specimen when evaluated in accordance with Practices **A262** indicating the presence of intergranular attack, shall be cause for rejection of that lot.

13.4 Lot definitions: For corrosion test requirements, the term “lot” applies to all tubes, prior to cutting to length, of the same nominal diameter and wall thickness, produced from the same heat of steel and annealed in a continuous furnace at the same temperature, time at temperature, and furnace speed.

13.5 *High Carbon Grades*—The high carbon grades of N08810 and N08811 shall not be subjected to the intergranular corrosion test.

14. Permissible Variations in Dimensions (Fig. 1)

14.1 Permissible variations from the specified outside diameter shall be in accordance with Specification **A1016/A1016M**. Those tolerances do not apply to the bent portion of the U-tubes. At the bent portion of a U-tube for $R = 2 \times D$ or greater, neither

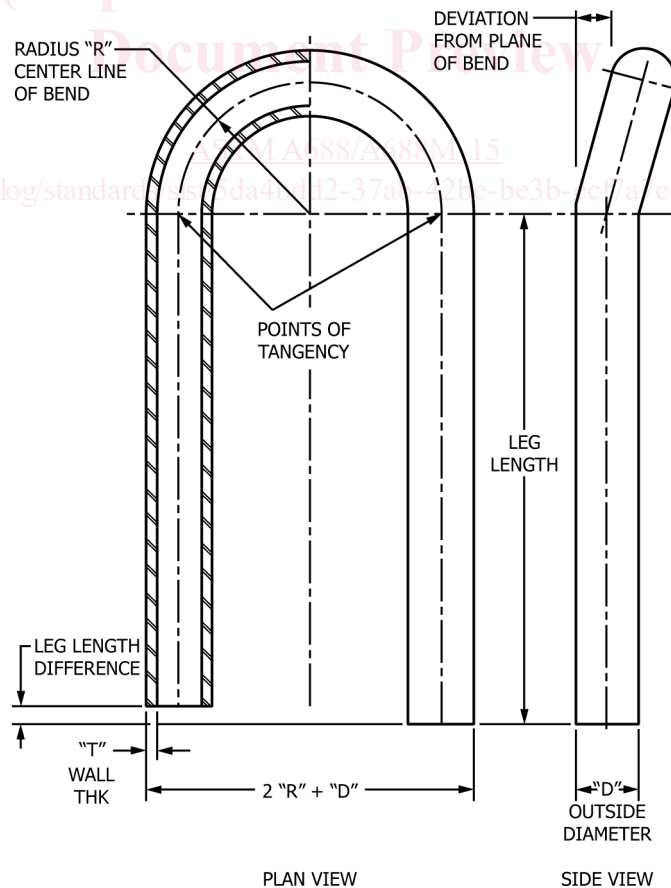


FIG. 1 Plane Bend for U-Tube