



Designation: ~~D5800 – 14~~^{e2} D5800 – 15

Standard Test Method for Evaporation Loss of Lubricating Oils by the Noack Method¹

This standard is issued under the fixed designation D5800; the number immediately following the designation indicates the year of original adoption or, in the case of revision, the year of last revision. A number in parentheses indicates the year of last reapproval. A superscript epsilon (ϵ) indicates an editorial change since the last revision or reapproval.

^{e1} NOTE—Eq 11 was corrected editorially in January 2015.

^{e2} NOTE—Subsection 20.21 was corrected editorially in February 2015.

1. Scope*

1.1 This test method covers three procedures for determining the evaporation loss of lubricating oils (particularly engine oils). Procedure A uses the Noack evaporative tester equipment; Procedure B uses the automated non-Woods metal Noack evaporative apparatus; and Procedure C uses Selby-Noack volatility test equipment. The test method relates to one set of operating conditions but may be readily adapted to other conditions when required.

1.2 Noack results determined using Procedures A and B show consistent differences. Procedure A gives slightly lower results versus Procedure B on formulated engine oils, while Procedure A gives higher results versus Procedure B on basestocks.

1.3 The values stated in SI units are to be regarded as standard. No other units of measurement are included in this standard.

1.4 *This standard does not purport to address all of the safety concerns, if any, associated with its use. It is the responsibility of the user of this standard to establish appropriate safety and health practices and determine the applicability of regulatory limitations prior to use.*

2. Referenced Documents

2.1 *ASTM Standards:*²

[D4057 Practice for Manual Sampling of Petroleum and Petroleum Products](#)

[D4177 Practice for Automatic Sampling of Petroleum and Petroleum Products](#)

[D6299 Practice for Applying Statistical Quality Assurance and Control Charting Techniques to Evaluate Analytical Measurement System Performance](#)

[D6300 Practice for Determination of Precision and Bias Data for Use in Test Methods for Petroleum Products and Lubricants](#)

2.2 *DIN Standards:*³

[DIN 1725 Specification for Aluminum Alloys](#)

[DIN 12785 Specifications for Glass Thermometers](#)

3. Terminology

3.1 *Definitions of Terms Specific to This Standard:*

3.1.1 *evaporation loss*—of a lubricating oil by the Noack method, that mass of volatile oil vapors lost when the oil is heated in a test crucible through which a constant flow of air is drawn.

3.1.2 *volatility, n*—the tendency of a liquid to form a vapor.

4. Summary of Test Method

4.1 A measured quantity of sample is placed in an evaporation crucible or reaction flask that is then heated to ~~250°C~~²⁵⁰ °C with a constant flow of air drawn through it for ~~60 min~~^{60 min}. The loss in mass of the oil is determined.

4.2 Interlaboratory tests have shown that Procedure A, Procedure B, and Procedure C yield essentially equivalent results, with a correlation coefficient of $R^2 = 0.996$. See the research report for the Selby-Noack interlaboratory study.

¹ This test method is under the jurisdiction of ASTM Committee D02 on Petroleum Products, Liquid Fuels, and Lubricants and is the direct responsibility of Subcommittee D02.06 on Analysis of Liquid Fuels and Lubricants.

Current edition approved Oct. 1, 2014 April 1, 2015. Published October 2014 April 2015. Originally approved in 1995. Last previous edition approved in 2008 2014 as ~~D5800 – 10~~ D5800 – 14^{e2}. DOI: 10.1520/D5800-14E02-10.1520/D5800-15.

² For referenced ASTM standards, visit the ASTM website, www.astm.org, or contact ASTM Customer Service at service@astm.org. For *Annual Book of ASTM Standards* volume information, refer to the standard's Document Summary page on the ASTM website.

³ Available from Deutsches Institut für Normung, Beuth Verlag GmbH, Burggrafen Strasse 6, 1000 Berlin 30, Germany.

*A Summary of Changes section appears at the end of this standard

5. Significance and Use

5.1 The evaporation loss is of particular importance in engine lubrication. Where high temperatures occur, portions of an oil can evaporate.

5.2 Evaporation may contribute to oil consumption in an engine and can lead to a change in the properties of an oil.

5.3 Many engine manufacturers specify a maximum allowable evaporation loss.

5.4 Some engine manufacturers, when specifying a maximum allowable evaporation loss, quote this test method along with the specifications.

5.5 Procedure C, using the Selby-Noack apparatus, also permits collection of the volatile oil vapors for determination of their physical and chemical properties. Elemental analysis of the collected volatiles may be helpful in identifying components such as phosphorous, which has been linked to premature degradation of the emission system catalyst.

Procedure A

6. Apparatus

6.1 *Noack Evaporative Tester*, comprising the following:

6.1.1 *Electrically Heated Block Unit*, made from a malleable aluminum alloy (see DIN 1725, Sheet 1), insulated at the jacket and base against loss of heat. (**Warning**—This block is heated to ~~250°C~~ 250 °C.) The block is heated electrically by a base and jacket heater, having a total power consumption of ~~+1 kW to +2 kW~~ 1.2 kW. In this respect the difference between both individual power consumption should not exceed ~~0.15 kW~~ 0.15 kW. In the center of the heating block, there is a circular recess to insert the evaporating crucible, the space between block and crucible being filled with Woods alloy or a suitable equivalent. Two catches on the block prevent the crucible from rising in the liquid metal bath. Two additional circular recesses at equal intervals from the center of the block are provided for the thermometers (see Fig. 1).

6.1.2 *Evaporating Crucible*, with screw cover. The crucible is made of stainless steel (see Fig. 2). Above the support ring is the thread for the cover. The nickel-plated brass cover is hermetically sealed to the crucible by an internal conical sealing surface (see Fig. 3). Three nozzles of hardened steel permit the air stream to pass through the cover. The extraction tube, which slopes downward, leads from a threaded and sealed connection in the center of the cover.

6.2 *Balance*, capable of weighing at least ~~200 g~~ 200 g to the nearest ~~0.01 g~~ 0.01 g.

6.3 *Crucible Clamp and Spanner*.

6.4 *Reamer*, ~~2-mm~~ 2 mm diameter.

6.5 *Ball Bearing*, ~~3.5-mm~~ 3.5 mm diameter.

6.6 *Thermometer*, M260 (see DIN 12785) or temperature sensing device capable of reading temperature to ~~0.1°C~~ 0.1 °C. The thermometer should be calibrated with appropriate procedure at appropriate frequency (generally every six months).

6.7 *Contact Type Control Thermometer* (for manual).

6.8 *Glass Y-piece*, an internal diameter of ~~4 mm~~ 4 mm. The upright arms, each ~~45 mm~~ 45 mm long, should form an angle such that the arm connected to the crucible extraction tube and the Y-piece form a straight line. The vertical arm is ~~60 mm~~ 60 mm long and beveled at 45°.

6.9 *Glass Delivery Tubes*, an internal diameter of ~~4 mm~~ 4 mm, each arm length ~~100 mm~~ 100 mm, beveled at 45° at ends entering and leaving the bottles.

6.9.1 Bent at an angle of approximately 80°.

6.9.2 Bent at an angle of approximately 100°, length to ~~20 mm~~ 20 mm of bottle base.

6.9.3 Bent at an angle of approximately 90°.

6.10 *Two Glass Bottles*, approximately ~~2-L~~ 2 L capacity, fitted with rubber bungs bored to receive inlet and outlet tubes (see Fig. 4).

6.11 *Manometer*, inclined form, water-filled, precision ~~0.2 mm~~ 0.2 mm H₂O or suitable pressure sensor capable of measuring ~~20 mm~~ ± 0.2 mm of H₂O (a ~~00 mm~~ 50 mm to ~~50 mm~~ 50 mm H₂O pressure transducer has been found to be satisfactory).

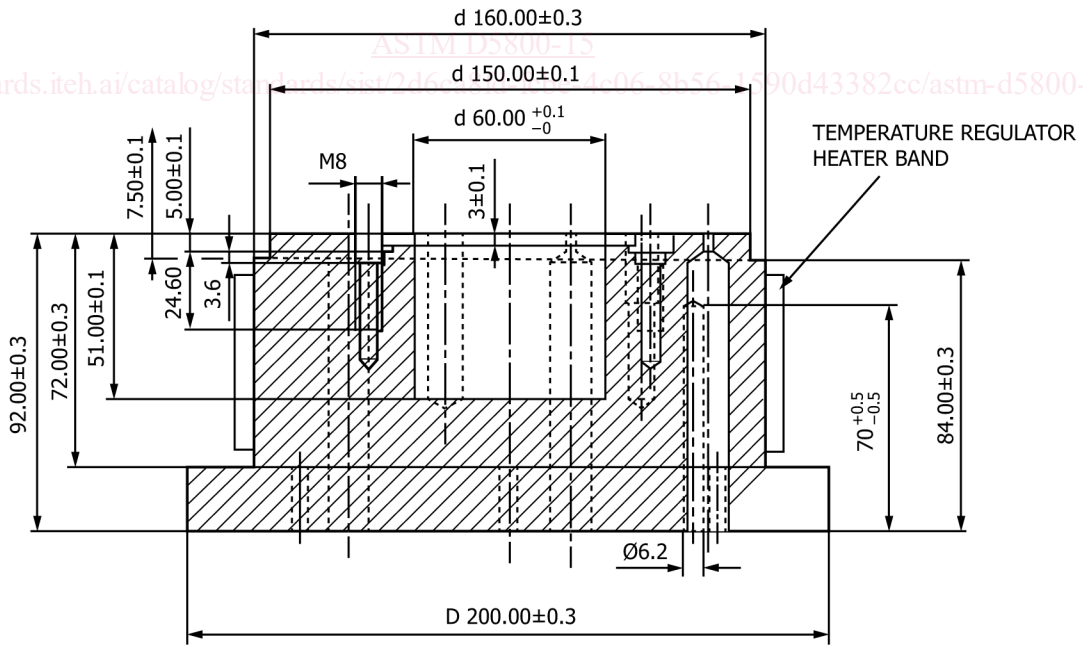
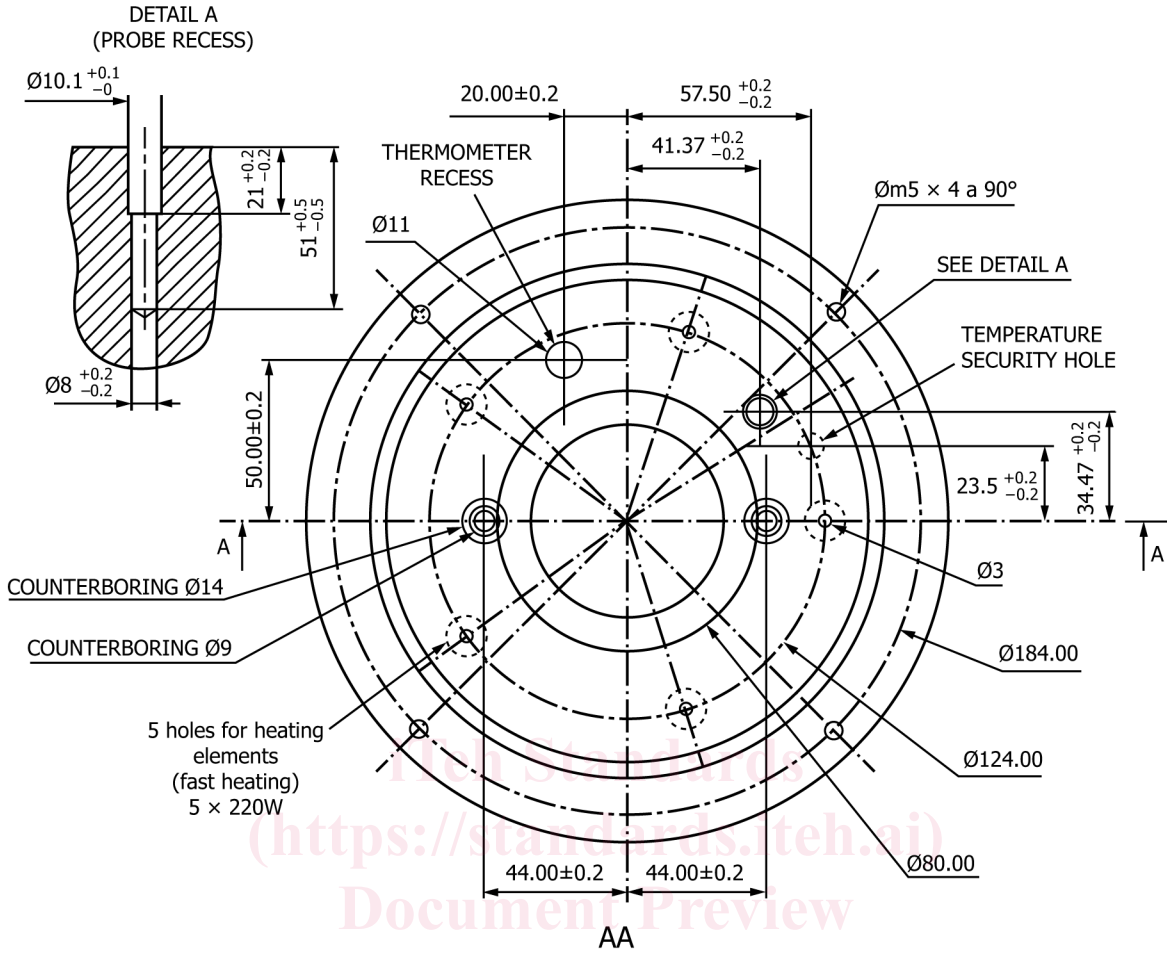
NOTE 1—Some manometers use water as the reference fluid, others may use a lower density fluid correlated to read in millimetres of water. Users should ensure that the manometer is filled with the correct density reference fluid.

6.12 *Glass T-Piece*, with bleed valve attached.

6.13 *Vacuum Pump*.

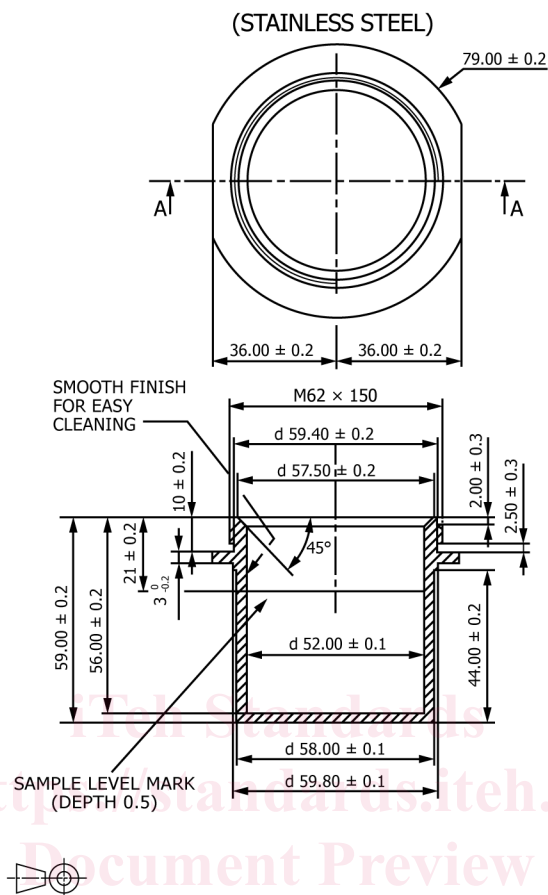
6.14 *Timer*, with accuracy of ~~0.2 s~~ 0.2 s.

6.15 *Silicone Rubber Tubing*, cut to size, with an internal diameter of ~~4 mm~~ 4 mm.



NOTE 1—All dimensions in millilitres.

FIG. 1 Heating Block



NOTE 1—All dimensions in millilitres.

FIG. 2 Crucible

<https://standards.iteh.ai/catalog/standards/sist/2d6ca8fd-fcbe-4c06-8b56-1590d43382cc/astm-d5800-15>

- 6.15.1 ~~40-mm~~40 mm long; three pieces required,
- 6.15.2 ~~300-mm~~300 mm long, and
- 6.15.3 ~~100-mm~~100 mm long.

NOTE 2—The use of automated equipment is permissible as long as it gives equivalent results specified in this test method. All hardware dimensions, make-up of the block, crucible, heat capacity, and so forth, and glassware must conform to the specifications given in this test method.

7. Reagents and Materials

7.1 *Cleaning Solvent*—A mixture of naphtha and toluene is recommended for the cleaning of the crucible. (**Warning**—Flammable, vapor harmful.) Overnight soaking may be necessary.

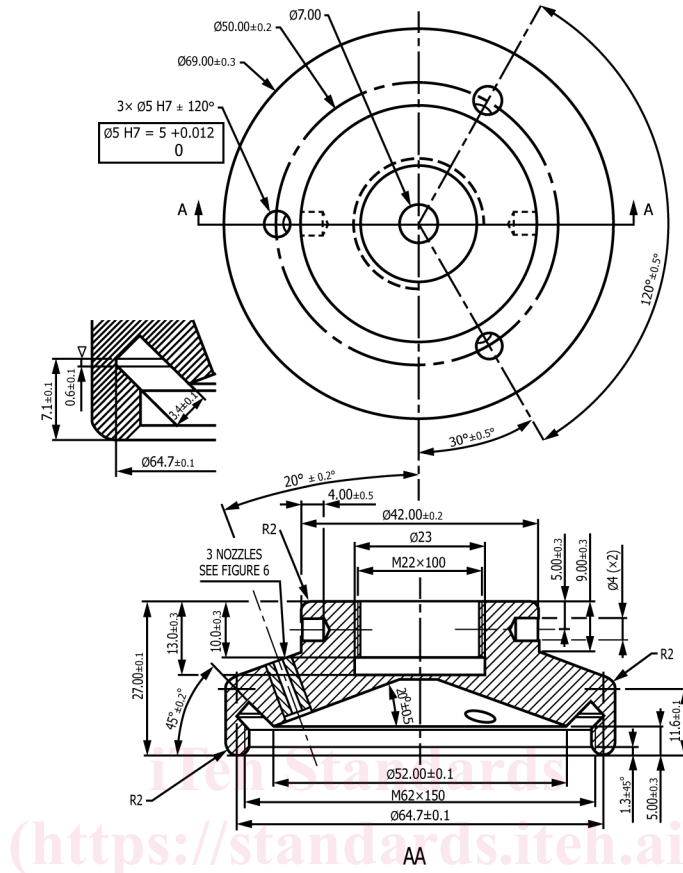
7.2 Oils having a known evaporative loss, the value of which is provided by the oil supplier. Some examples of such oils include RL-N, RL 172, and RL 223, supplied by CEC. Other oils supplied by other vendors may also be used.

7.3 *Insulated Gloves*.

7.4 *Paint Brush*, such as a tinnerps acid brush (~~15~~(15 mm to ~~25-mm~~25 mm width).

7.5 *Woods Metal*⁴ or *Suitable Heat Transfer Material*—(**Warning**—Woods metal contains lead (25 %), bismuth (50 %), antimony (12.5 %), and cadmium (12.5 %); these have been found to be health hazardous. Avoid contact with skin at all times.)

⁴ The sole source of supply of Woods metal known to the committee at this time is Sigma-Aldrich, Customer Support, P.O. Box 14508, St. Louis, MO 63178. If you are aware of alternative suppliers, please provide this information to ASTM International Headquarters. Your comments will receive careful consideration at a meeting of the responsible technical committee,¹ which you may attend.



NOTE 1—All dimensions in millimetres.

FIG. 3 Cover

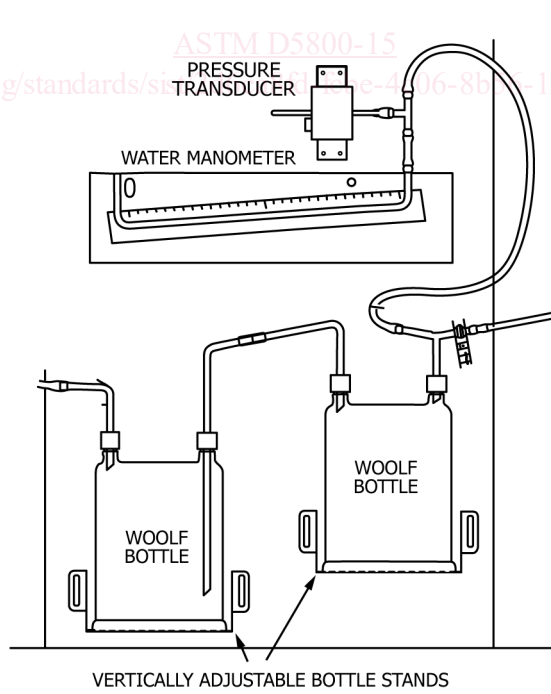


FIG. 4 Glassware

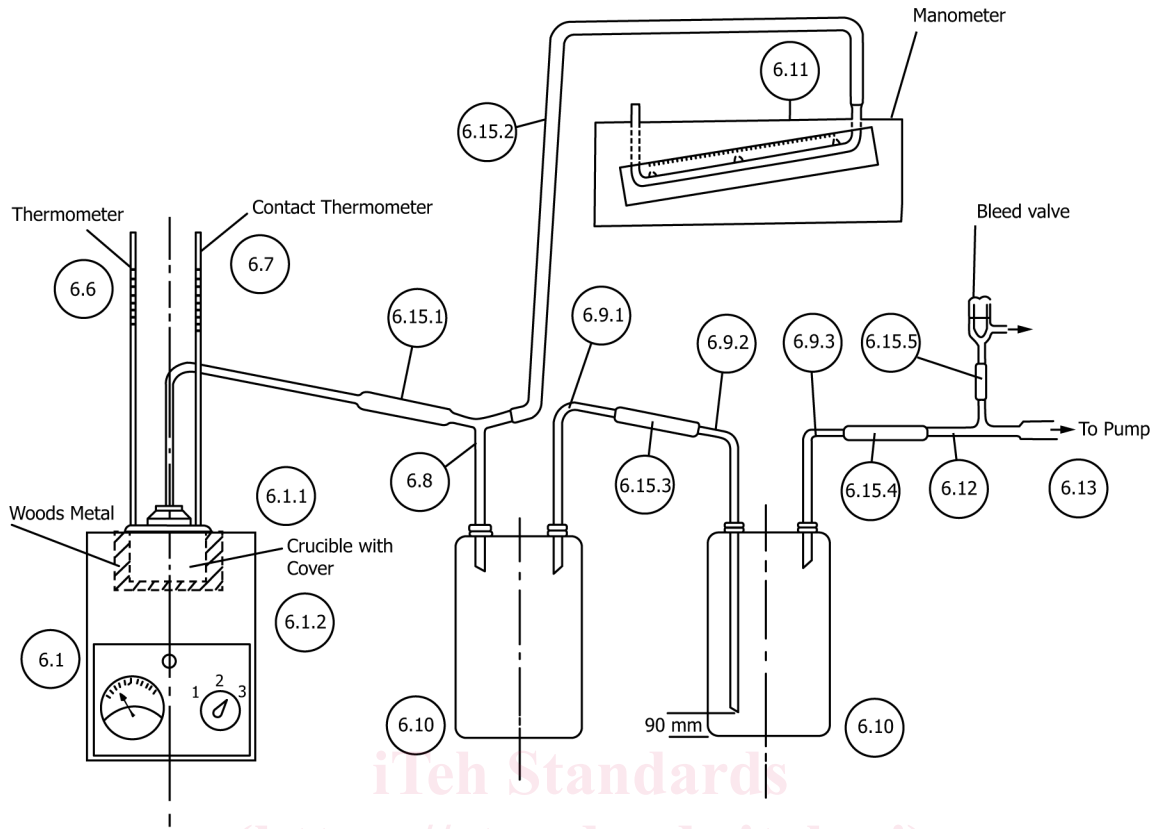


FIG. 5 Test Apparatus

8. Hazards

8.1 *Safety Hazards*—It is assumed that anyone using this test method will either be fully trained and familiar with all normal laboratory practices, or will be under the direct supervision of such a person. It is the responsibility of the operator to ensure that all local legislative and statutory requirements are met.

8.2 (**Warning**—Though the test method calls for a ~~draft-free~~draft-free area, the exhaust fumes from the evaporating oil must be ventilated to an outside source. Precaution shall be taken to avoid any possibility of fire or explosion.)

NOTE 3—One way to achieve a ~~draft-free~~draft-free environment and greater safety in operation for the instruments used in this test method is described in [Appendix X3](#).

8.3 An alternate means for preventing draft described in [Appendix X3](#) was not used in the development of the test method precision statement.

9. Preparation of Apparatus

9.1 A standard assembly of the apparatus is shown in [Fig. 5](#). To avoid disturbing the thermal equilibrium, the apparatus shall be assembled in a ~~draft-free~~draft-free area and comply with [Fig. 5](#) in dimensions and apparatus. (See [8.2](#).)

9.2 Add sufficient Woods metal or equivalent material to the recesses of the heating block so that, with the crucible and thermometer in place, the remaining spaces will be filled with the molten metal.

9.3 Using the highest heating rate possible, raise the temperature of the heating block until the Woods metal is molten. Insert the thermometers with their bulbs touching the bottom of the recesses, and ensure that the contact thermometer is plugged in the back of the heating block. Adjust the power supplied to the heating block so that the temperature can be maintained at 250 ± 0.5 °C.

9.4 Assemble the remaining apparatus, less the crucible, as shown in [Fig. 5](#).

9.5 Place an empty crucible in the heating block, securing the flange under the screw heads against the buoyancy of the Woods metal. The level of the molten metal should be such that a trace of it can be seen at the flange of the crucible and the top of the heating block.

9.6 Check that the readings can be obtained on the manometer scale, or other measuring device, by connecting the crucible to the assembled apparatus. A reading of 20.0 ± 0.2 mm shall be obtained.

9.7 Disconnect and remove the crucible from the assembled apparatus.

9.8 Switch off the pump and the heating block and raise the crucible and the thermometers from the molten Woods metal. Using the brush, return any Woods metal clinging to the crucible to the heating block.

9.9 Clean the Y-piece and glass tubing to prevent a build up of condensate.

10. Verification

10.1 Switch on the pump and the heating block and ensure that the apparatus is assembled, minus the crucible, as shown in **Fig. 5**.

10.2 Check that the crucible and cover are free from lacquer.

10.2.1 After every test, clean the crucible and cover with solvent and allow to dry. Stubborn lacquer can be cleaned by abrasion from a glass beader under pressure.

10.3 Pass the reamer through each of the three nozzles in the cover to ensure that they are clear. (**Warning**—Using a reamer with a diameter larger than ~~2 mm~~ 2 mm can enlarge the nozzles. This can lead to higher losses because of increased air flow.)

10.4 Run the ball bearing through the extraction tube to ensure that it is clear of dirt.

10.5 Weigh the empty crucible without its cover to the nearest ~~0.01 g~~ 0.01 g.

10.6 Weigh into the crucible ~~65.065.0 g~~ $65.065.0 \text{ g} \pm 0.1 \text{ g}$ of the Reference Oil.

10.7 Screw on the cover using the clamp and spanner.

10.8 Ensure the temperature of the heating block is at ~~250~~ $250 \text{ }^\circ\text{C} \pm 0.5 \text{ }^\circ\text{C}$. Place the crucible in its recess in the heating block, securing the flange under the screw heads against the buoyancy of the Woods metal. Switch the control of the heating block to compensate for the heat capacity of the crucible. Immediately (in less than ~~5 s~~ 5 s), connect the extraction tube of the crucible to the arm of the glass Y-piece, making a butt joint. Simultaneously, start the pump and the stopwatch and adjust the bleed valve to give a pressure differential of ~~20~~ $20 \text{ mm} \pm 0.2 \text{ mm}$.

NOTE 4—When the crucible is in the test position, its flange should be flush with the top of the heating block. Any protrusion of the crucible flange above the heating block may suggest a buildup of Woods metal slag at the bottom of the heating block recess. The heating block and the thermometer recesses should be cleaned and the Woods metal replaced on a regular basis to avoid the accumulation of slag. Oxidized Woods metal will affect the heat transfer to the crucible and hence may have a deleterious effect on the results obtained.

10.9 Adjust the control on the heating block to maintain the block temperature approximately ~~5~~ $5 \text{ }^\circ\text{C}$ below the test temperature. Readjust the temperature control so that the test temperature is reestablished within ~~3 min~~ 3 min of the start of the test.

NOTE 5—Temperature and pressure will be controlled automatically when automated equipment is used.

10.10 At the start of the test, constant attention shall be paid to maintaining the correct pressure. Once this becomes steady, usually within ~~10 min~~ 10 min to 15 min, check periodically that the temperature and pressure differential remain constant throughout the period of the test.

10.11 After ~~60 min~~ $60 \text{ min} \pm 5 \text{ s}$, ~~60 min~~ $60 \text{ min} \pm 5 \text{ s}$, lift the crucible from the heating block, remove any adhering alloy, and place the crucible in a warm water bath to a depth of at least ~~30 mm~~ 30 mm. The time period from the end of the test to immersion of the crucible shall not exceed ~~60 s~~ 60 s.

10.12 After ~~30 min~~ 30 min, remove the crucible from the water, dry the outside, and carefully remove the lid.

10.13 Reweigh the crucible without the lid to the nearest ~~0.01 g~~ 0.01 g.

10.14 Calculate to the nearest 0.1 % mass/mass (M/M) the evaporation loss of the reference oil.

10.15 Compare the result obtained against the given value for the reference oil. If the result is within 6 % of the value, repeat the procedure from **11.1**, using the test sample.

10.16 If the result is not within 6 % of the given value, check that the apparatus complies with that shown in **Fig. 5**, and that the procedure has been adhered to. Check the calibration of the thermometer and pressure sensing device.

10.17 Re-check the evaporation loss of the reference oil.

NOTE 6—Condensate should not be allowed to build up in the ~~2~~ $2 \pm 2 \text{ L}$ glass bottles. These should be washed out with solvent before a maximum ~~1 cm~~ 1 cm of condensate collects.

NOTE 7—The equipment should be referenced approximately every ten tests if the test is used frequently. If the testing is infrequent, the equipment should be referenced before the first sample is run.

11. Procedure

11.1 Weigh into a tarred crucible ~~65~~ $65 \text{ g} \pm 0.1 \text{ g}$ representative of the test sample to a precision of ~~0.01 g~~ 0.01 g.

NOTE 8—Sample in accordance with Practice **D4057** or Practice **D4177**.

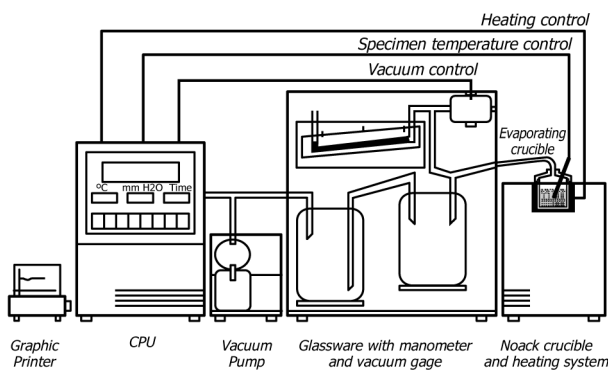


FIG. 6 Automated Non-Woods Metal Noack Evaporative Apparatus

11.2 Proceed as described in 10.7 to 10.12.

11.3 Calculate to the nearest 0.1 % M/M the evaporation loss of the sample.

12. Calculations and Results

12.1 Evaporation loss is obtained from the difference in weight before and after ± 1 h at 250 ± 0.250 °C.

$$\text{evaporation loss} = \frac{(B - A) - (C - A)}{B - A} \times 100 \quad (1)$$

where:

A = empty crucible weight,

B = crucible plus sample weight, and

C = crucible plus sample after 1 h of heating.

C = crucible plus sample after 1 h of heating.

13. Report

13.1 Report the following information:

13.1.1 The nearest 0.1 % M/M as evaporation loss (Test Method D5800).

14. Precision and Bias⁵

14.1 The interlaboratory round robin used manual, semi-automated, and automated equipment. The precision values were calculated on the statistical examinations of interlaboratory test results as follows.

14.1.1 *Repeatability*—A quantitative measurement of precision associated with single results obtained by the same operator with the same equipment in the same laboratory within a short interval of time. In the normal and correct operation of the test method, the following values were exceeded in only one case in twenty.

$$\text{Repeatability} = 5.8 \% \times \text{average M/M evaporation loss} \quad (2)$$

14.1.2 *Reproducibility*—A quantitative measure of precision with single results obtained in different laboratories on identical test material. In the normal and correct operation of the test, the following values were exceeded in only one case in twenty.

$$\text{Reproducibility} = 18.3 \% \times \text{average M/M evaporation loss} \quad (3)$$

14.2 The procedure in this test method has no bias because the value of the volatility is defined only in terms of this test method.

Procedure B—Non-Woods Metal Apparatus

15. Introduction

15.1 The following procedure describes an automated test method that uses the same principle, and the same crucible as Procedure A. Only the heat transfer to the sample is different. It does not use Woods alloy, and the sample temperature is directly monitored.

16. Apparatus

16.1 *Noack Evaporative Tester* (see Fig. 6), comprising the following:

⁵ Supporting data have been filed at ASTM International Headquarters and may be obtained by requesting Research Report RR:D02-1462.

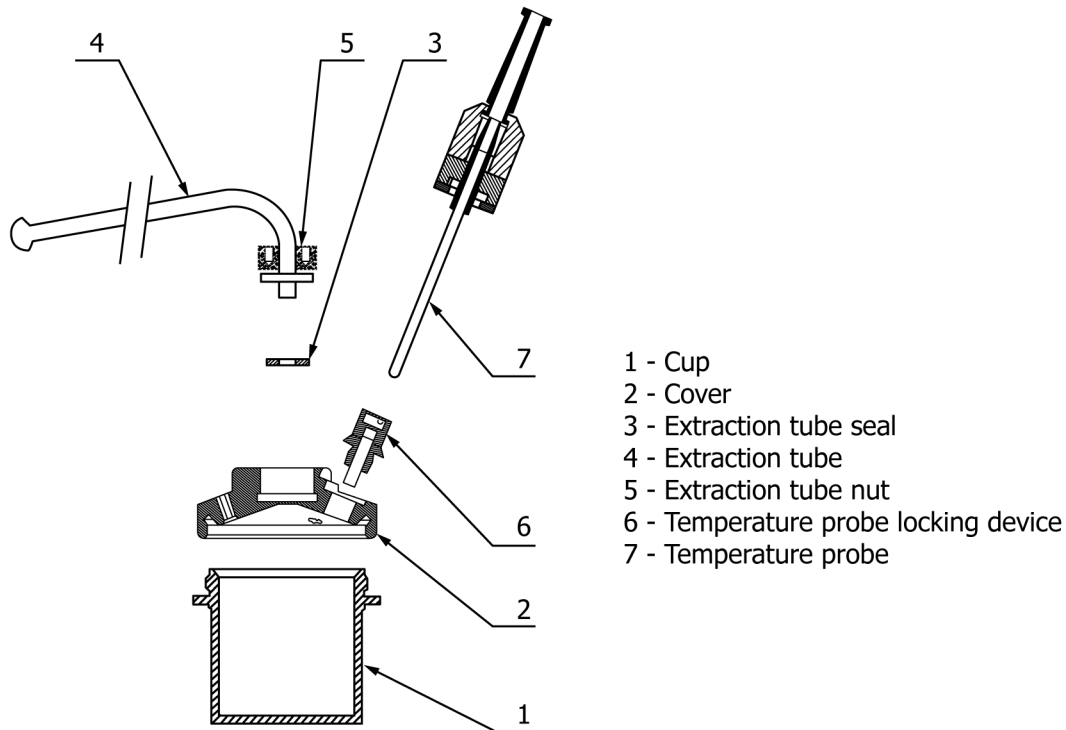


FIG. 7 Crucible with Temperature Probe

iteh Standards
 (https://standards.iteh.ai)

16.1.1 *Heating Block Unit*, electrically heated by base and jacket heaters, having a total power consumption sufficient to ensure a specimen temperature profile similar to the one recorded in the specimen when heated with the Woods metal heater block. In the center of the heating block, there is a circular recess to insert the evaporative crucible. The jacket heater is configured to ensure a direct contact with the crucible. A mechanism is provided to open the jaws for crucible insertion. Two catches on the block prevent the crucible from rising, and the base heater is spring loaded to ensure a direct contact with the crucible.

16.1.2 *Evaporative Crucible*, with screw cover (see Fig. 7). The crucible is made of stainless steel (see Fig. 8). Above the support ring is the thread for the cover. The nickel-plated brass cover (see Fig. 9) is hermetically sealed to the crucible by an internal conical sealing surface. Three nozzles of hardened steel (see Fig. 10) permit the air stream to pass through the cover. The extraction tube (see Figs. 11 and 12), which slopes downward, leads from a threaded and sealed connection in the center of the cover.

16.1.3 *Temperature Probe*—The specimen temperature measuring device shall have an accuracy of $0.5^{\circ}\text{C}; 0.5^{\circ}\text{C}$, or better, and a resolution of $0.1^{\circ}\text{C}; 0.1^{\circ}\text{C}$, or better. The probe is provided with a calibration certificate of $250.0^{\circ}\text{C}; 250.0^{\circ}\text{C}$ with a precision of $\pm 0.1^{\circ}\text{C}; \pm 0.1^{\circ}\text{C}$. Its diameter is $4\text{ mm}; 4\text{ mm}$, and its position is as indicated in Fig. 8. It should be calibrated with appropriate procedure at appropriate frequency (minimum once a year).

16.2 *Balance*, capable of weighing at least $500\text{ g}; 500\text{ g}$ to the nearest 0.01 g.

16.3 *Crucible Clamp and Spanner*.

16.4 *Reamer*, $2\text{ mm}; 2\text{ mm}$ diameter.

16.5 *Ball Bearing*, 33 mm to $5\text{ mm}; 5\text{ mm}$ diameter.

16.6 *Glassware Assembly*, strictly identical to the description in 6.6 – 6.12 and 6.15 of Procedure A.

16.7 *Vacuum Pump*.

16.8 *Central Processing Unit (CPU)*, capable of controlling the specimen temperature, the vacuum, the time, the heating, and the printing. The specimen is heated to $245.2^{\circ}\text{C} \pm 0.5^{\circ}\text{C}; 245.2^{\circ}\text{C} \pm 0.5^{\circ}\text{C}$ with the temperature profile recorded in the specimen when tested with a Woods metal apparatus (1 h at $250^{\circ}\text{C}; 250^{\circ}\text{C}$) with automatic test duration compensation. The automatic test duration compensation is used because a test may be started with a heating block at room temperature or at hot temperature when several tests are carried without cooling phase. The CPU automatically adjusts the pressure differential of $20\text{ mm}; 20\text{ mm} \pm 0.2\text{ mm}; 0.2\text{ mm}$. These conditions can be checked with the printed report.

16.9 *Printer*, to print the graphs of the specimen temperature and the vacuum recorded during the test.

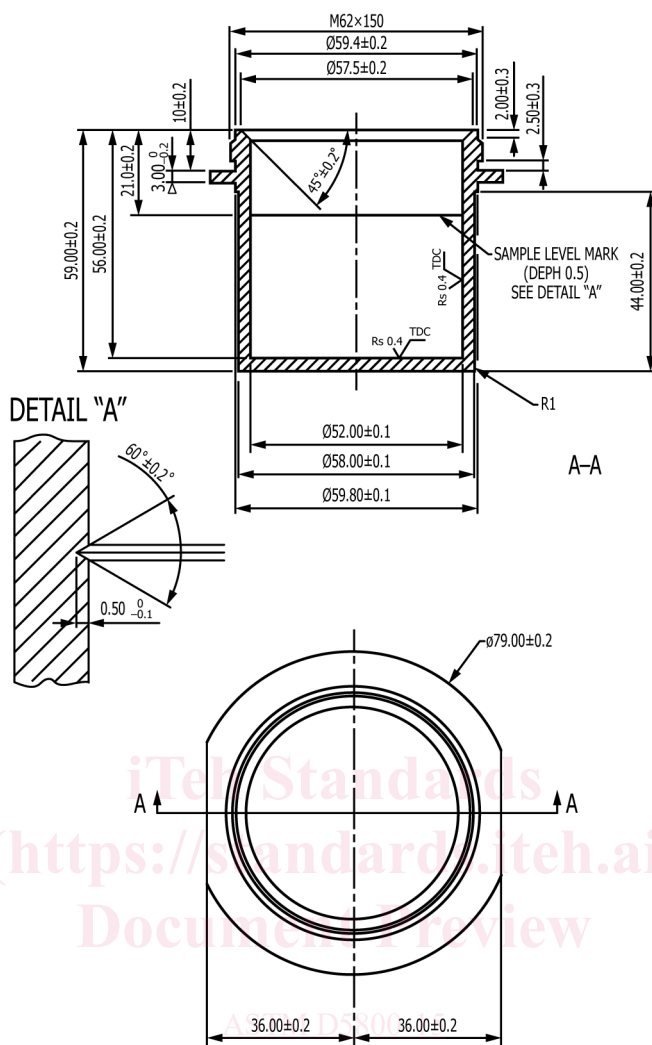


FIG. 8 Noack Cup (Detail 1 of Fig. 7)

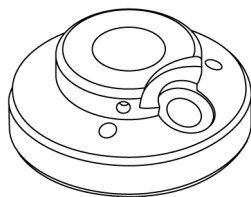


FIG. 9 Crucible Cover (Detail 2 of Fig. 7)

17. Reagents and Materials

17.1 *Cleaning Solvent*—A mixture of naphtha and toluene is recommended for cleaning the crucible. (**Warning**—Flammable, vapor harmful.) Overnight soaking may be necessary.

17.2 *Noack Reference Fluid*—Oil having a known evaporative loss, the value of which is provided by the manufacturer.

17.3 *Insulated Gloves*.

17.4 *Drying Paper*.

18. Hazards

18.1 *Safety Hazards*—It is assumed that anyone using this test method will either be fully trained and familiar with all normal laboratory practices, or will be under the direct supervision of such a person. It is the responsibility of the operator to ensure that all local legislative and statutory requirements are met.