
INTERNATIONAL STANDARD



3652

INTERNATIONAL ORGANIZATION FOR STANDARDIZATION • МЕЖДУНАРОДНАЯ ОРГАНИЗАЦИЯ ПО СТАНДАРТИЗАЦИИ • ORGANISATION INTERNATIONALE DE NORMALISATION

Shipbuilding — Inland vessels — Rope reels

Construction navale — Bateaux de navigation intérieure — Tourets à câble

First edition — 1975-12-15

iTeh STANDARD PREVIEW
(standards.iteh.ai)

[ISO 3652:1975](https://standards.iteh.ai/catalog/standards/sist/171eb9a2-71d0-4ae1-ad65-7ccd739a7064/iso-3652-1975)

<https://standards.iteh.ai/catalog/standards/sist/171eb9a2-71d0-4ae1-ad65-7ccd739a7064/iso-3652-1975>

UDC 629.122 : 677.72

Ref. No. ISO 3652-1975 (E)

Descriptors : shipbuilding, inland navigation, reels, specifications, dimensions.

FOREWORD

ISO (the International Organization for Standardization) is a worldwide federation of national standards institutes (ISO Member Bodies). The work of developing International Standards is carried out through ISO Technical Committees. Every Member Body interested in a subject for which a Technical Committee has been set up has the right to be represented on that Committee. International organizations, governmental and non-governmental, in liaison with ISO, also take part in the work.

Draft International Standards adopted by the Technical Committees are circulated to the Member Bodies for approval before their acceptance as International Standards by the ISO Council.

International Standard ISO 3652 was drawn up by Technical Committee ISO/TC 8, *Shipbuilding*, and circulated to the Member Bodies in December 1974.

STANDARD PREVIEW
(standards.iteh.ai)

It has been approved by the Member Bodies of the following countries :

Belgium
Bulgaria
Czechoslovakia
France
Germany
Israel

Italy
Japan
Mexico
Netherlands
Poland
Romania

ISO 3652:1975

Spain

Turkey

United Kingdom

U.S.S.R.

<https://standards.iteh.ai/catalog/standards/sist/171eb9a2-71d0-4ae1-ad65-7ccd739a7004/iso-3652-1975>

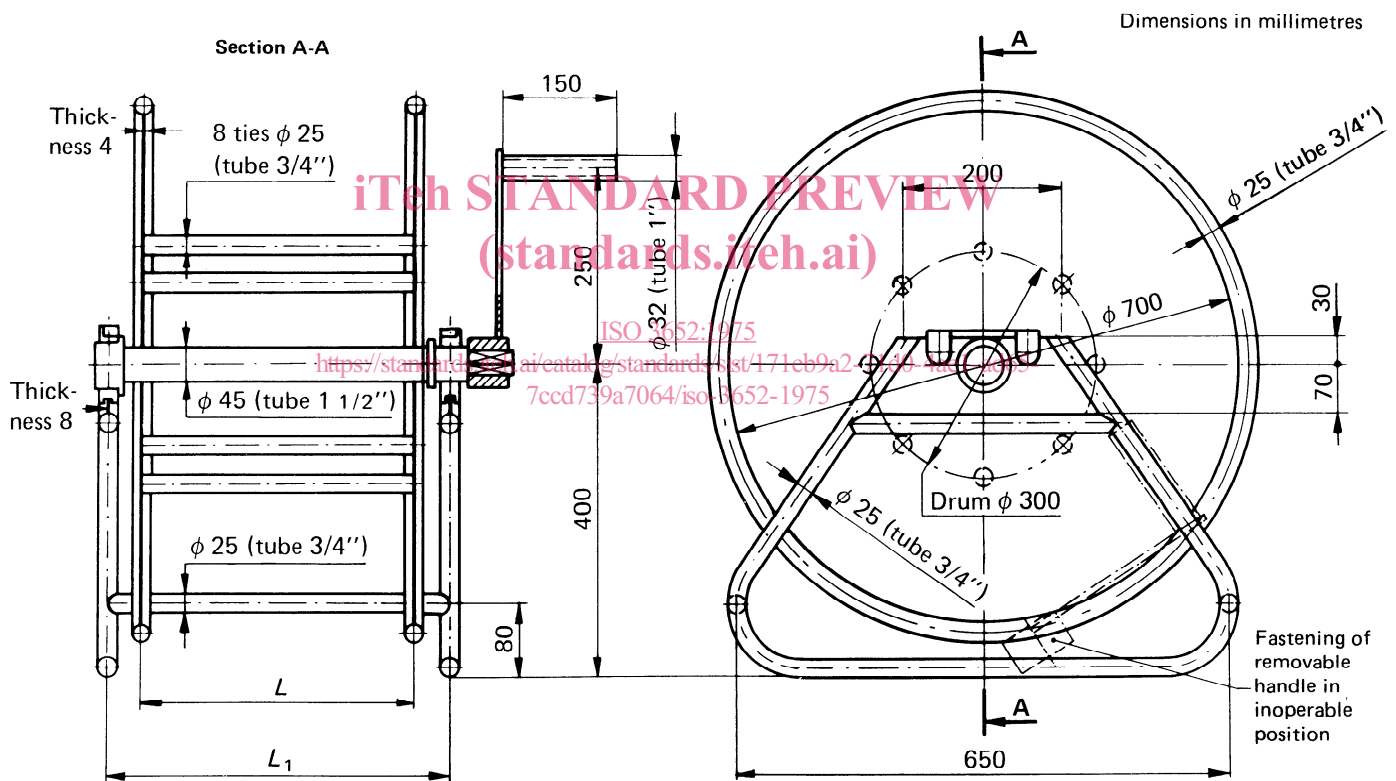
No Member Body expressed disapproval of the document.

Shipbuilding – Inland vessels – Rope reels

1 SCOPE AND FIELD OF APPLICATION

This International Standard specifies the characteristics of rope reels intended for the storage of mooring and towing ropes in vessels of all types and purposes for use on inland waterways.

2 CHARACTERISTICS



Execution : welded of steel tubes and sheet steel.

NOTE – The figure does not determine the design.

Dimensions in millimetres

Nominal dimension of reel	Length of drum L	Length of stand L ₁
300 X 380	380	460
300 X 700	700	780

3 DESIGNATION

Example : For a reel with a drum 380 mm in length : Reel 300 X 380.

iTeh STANDARD PREVIEW
(standards.iteh.ai)

This page intentionally left blank

[ISO 3652:1975](#)

<https://standards.iteh.ai/catalog/standards/sist/171eb9a2-71d0-4ae1-ad65-7ccd739a7064/iso-3652-1975>