



Designation: ~~A897/A897M—06 (Reapproved 2011)~~ A897/A897M – 15

## Standard Specification for Austempered Ductile Iron Castings<sup>1</sup>

This standard is issued under the fixed designation A897/A897M; the number immediately following the designation indicates the year of original adoption or, in the case of revision, the year of last revision. A number in parentheses indicates the year of last reapproval. A superscript epsilon ( $\epsilon$ ) indicates an editorial change since the last revision or reapproval.

### 1. Scope

1.1 This specification covers ductile iron castings that are subsequently heat treated by an austempering process as defined in 10.1.

1.2 The application of the austempering heat treatment extends the range of properties achievable in ductile iron castings.

1.3 No precise quantitative relationship can be stated between the properties of the iron in various locations of the same casting or between the properties of castings and those of a test specimen cast from the same iron (see Appendix X1). However, austempering heat treatment will tend to diminish any differences in mechanical properties.

1.4 The production of castings, machining (if required), and the austempering heat treatments may be performed by different manufacturers, as covered in Section 15. The purchaser should establish by contract agreement, at the time of ordering, the responsibility of the various parties for meeting the specification requirements.

1.5 The values stated in either SI units or inch-pound units are to be regarded separately as standard. The values stated in each system may not be exact equivalents; therefore, each system shall be used independently of the other. Combining values from the two systems may result in non-conformance with the standard.

1.5.1 *Exception*—Within the text, the SI units are shown in brackets.

### 2. Referenced Documents

2.1 *ASTM Standards*:<sup>2</sup>

A247 Test Method for Evaluating the Microstructure of Graphite in Iron Castings

A370 Test Methods and Definitions for Mechanical Testing of Steel Products

A732/A732M Specification for Castings, Investment, Carbon and Low Alloy Steel for General Application, and Cobalt Alloy for High Strength at Elevated Temperatures

A834 Specification for Common Requirements for Iron Castings for General Industrial Use

E8 Test Methods for Tension Testing of Metallic Materials

E10 Test Method for Brinell Hardness of Metallic Materials

E23 Test Methods for Notched Bar Impact Testing of Metallic Materials

2.2 *Military Standard*:

MIL-STD-129 Military Marking for Shipment and Storage<sup>3</sup>

### 3. Ordering Information

3.1 Orders for material to this specification shall include the following information:

3.1.1 ASTM designation, with year of issue,

3.1.2 Grade of austempered ductile iron required (see Table 1 or Table 2 and Sections 6 and 7),

3.1.3 Chemical composition requirements, if any (see Section 4),

3.1.4 Heat treated microstructure restrictions (see Section 10),

3.1.5 Test coupon criteria (see Section 12),

3.1.6 Lot size and tests per lot (see 12.6 and Section 15),

<sup>1</sup> This specification is under the jurisdiction of ASTM Committee A04 on Iron Castings and is the direct responsibility of Subcommittee A04.02 on Malleable and Ductile Iron Castings.

Current edition approved Nov. 1, 2011; May 1, 2015. Published April 2012; May 2015. Originally approved in 1990. Last previous edition approved in 2006/2011 as A897/A897M—06; A897/A897M—06 (2011). DOI: 10.1520/A0897\_A0897M-06R11-10.1520/A0897\_A0897M-15.

<sup>2</sup> For referenced ASTM standards, visit the ASTM website, www.astm.org, or contact ASTM Customer Service at service@astm.org. For *Annual Book of ASTM Standards* volume information, refer to the standard's Document Summary page on the ASTM website.

<sup>3</sup> Available from Standardization Documents Order Desk, DODSSP, Bldg. 4, Section D, 700 Robbins Ave., Philadelphia, PA 19111-5098, http://dodssp.daps.dla.mil.



TABLE 1 Mechanical Property Requirements of Grades

Inch-pound units	Grade 110/70/11	Grade 130/90/09	Grade 150/110/07	Grade 175/125/04	Grade 200/155/02	Grade 230/185/01
Tensile strength, min, ksi	110	130	150	175	200	230
Yield strength, min, ksi	70	90	110	125	155	185
Elongation in 2 in., min, %	11	9	7	4	2	1
Impact energy, ft-lb <sup>A</sup>	80	75	–60	–45	–25	–15
Typical hardness, HBW, kg/mm <sup>2B</sup>	241–302	269–341	302–375	341–444	388–477	402–512

TABLE 1 Mechanical Property Requirements of Grades 1 – 5

Inch-pound units	Grade 1 130/90/09	Grade 2 150/110/07	Grade 3 175/125/04	Grade 4 200/155/02	Grade 5 230/185/01
Tensile strength, min, ksi	130	150	175	200	230
Yield strength, min, ksi	90	110	125	155	185
Elongation in 2 in., min, %	9	7	4	2	1
Impact energy, ft-lb <sup>A</sup>	75	60	45	25	15
Typical hardness, HBW, kg/mm <sup>2B</sup>	269–341	302–375	341–444	388–477	402–512
SI units	Grade 1 900/650/09	Grade 2 1050/750/07	Grade 3 1200/850/04	Grade 4 1400/1100/02	Grade 5 1600/1300/01
Tensile strength, min, MPa	900	1050	1200	1400	1600
Yield strength, min, MPa	650	750	850	1100	1300
Elongation in 50 mm, min, %	9	7	4	2	1
Impact energy, J <sup>C</sup>	100	80	60	35	20
Typical hardness, HBW, kg/mm <sup>2D</sup>	269–341	302–375	341–444	388–477	402–512

<sup>A</sup> Unnotched Charpy bars tested at 72 ± 7°F. The values in the table are a minimum for the average of the highest three test values of the four tested samples.

<sup>B</sup> Hardness is not mandatory and is shown for information only.

<sup>C</sup> Unnotched Charpy bars tested at 22 ± 4°C. The values in the table are a minimum for the average of the highest three test values of the four tested samples.

<sup>D</sup> Hardness is not mandatory and is shown for information only.

TABLE 2 Mechanical Property Requirements of Mixed Microstructure Grades

Inch-pound units	Grade 110/70/11
Tensile strength, min, ksi	110
Yield strength, min, ksi	70
Elongation in 2 in., min, %	11
Impact energy, ft-lb <sup>A</sup>	80
Typical hardness, HBW, kg/mm <sup>2B</sup>	241–302

<sup>A</sup> Unnotched Charpy bars tested at 72 ± 7°F. The values in the table are a minimum for the average of the highest three test values of the four tested samples.

<sup>B</sup> Hardness is not mandatory and is shown for information only.

	Grade 750/500/11	Grade 900/650/09	Grade 1050/750/07	Grade 1200/850/04	Grade 1400/1100/01
Tensile strength, min, MPa	750	900	1050	1200	1400
Yield strength, min, MPa	500	650	750	850	1100
Elongation in 50 mm, min, %	11	9	7	4	2
Impact energy, J <sup>A</sup>	110	100	80	60	35
Typical hardness, HBW, kg/mm <sup>2B</sup>	241–302	269–341	302–375	341–444	388–477
SI units	Grade 750/500/11				
Tensile strength, min, MPa	750				
Yield strength, min, MPa	500				
Elongation in 50 mm, min, %	11				
Impact energy, J <sup>A</sup>	110				
Typical hardness, HBW, kg/mm <sup>2B</sup>	241–302				

<sup>A</sup> Unnotched Charpy bars tested at 22 ± 4°C. The values in the table are a minimum for the average of the highest three test values of the four tested samples.

<sup>B</sup> Hardness is not mandatory and is shown for information only.

3.1.7 Special requirements, if desired, including hardness, radiographic soundness, magnetic particle inspection, pressure tightness, dimensions, or surface finish (see Section 9),

3.1.8 Certification, if required (see Section 16),

3.1.9 Special preparation for delivery, if required (see Section 17).



#### 4. Chemical Composition

4.1 Although this specification has no specific chemical requirements, such requirements may be agreed upon between the manufacturer, heat treater, and the purchaser.

4.2 Castings that are of sufficient quality (5.1 and Appendix X1) and properly alloyed (have sufficient hardenability) for the austempering process can be heat treated to meet the minimum properties for any of the five grades of ADI listed in Table 1 by proper selection of heat treatment temperatures and times, but may not be properly alloyed to produce castings meeting the minimum properties listed in Table 2. Alloy requirements for the mixed microstructure grades of ADI (Table 2) will be different than those for the five grades of ADI listed in Table 1.

#### 5. Microstructure

5.1 The graphite component of the microstructure shall consist of a minimum 80 % spheroidal graphite conforming to Types I and II per Test Method A247.

5.2 The matrix microstructure shall substantially consist of ausferrite (acicular ferrite and high carbon, stable austenite)-austenite) for Grades 1–5 ADI in Table 1. Proeutectoid ferrite will also be present in Grade 110/70/11 [750/500/11]-[750/500/11] in Table 2.

5.3 The cooling rate within some sections may not be sufficient to avoid the formation of pearlite or other high temperature transformation products. In some cases, the maximum acceptable quantities of these microconstituents and the location(s) within the casting may be established by agreement between the manufacturer, heat treater, and the purchaser.

5.4 Martensite may be present in minor amounts in the microstructures of Grades 200/155/02 [1400/1100/02] and 230/185/01 [1600/1300/01]. Acceptable quantities of martensite may be established by agreement between the manufacturer, heat treater, and the purchaser.

5.5 The microstructure shall be substantially free of undesirable microconstituents, the details of which shall be agreed upon by the manufacturer, heat treater, and the purchaser.

5.6 The manufacturer, heat treater, and the purchaser may agree upon special chemical compositions or processing requirements to limit the microconstituents described in 5.3, 5.4, and 5.5.

#### 6. Mechanical Properties

6.1 Tensile property requirements include tensile strength, yield strength, and elongation and apply only after austempering heat treatment.

6.2 The iron represented by the test specimens shall conform to the requirements as presented in Table 1 or Table 2.

6.3 The yield strength shall be determined by the 0.2 % offset method (see Test Methods E8).

#### 7. Impact Requirements

7.1 The iron represented by the test specimens shall conform to the impact properties presented in Table 1 or Table 2.

7.2 Impact energy requirements apply only after test material has been austempered. The impact test specimens must be finish ground to required dimensions after heat treatment.

#### 8. Hardness

8.1 The area or areas on the castings where hardness is to be checked shall be established by agreement between the manufacturer and purchaser, or the manufacturer and the end user.

8.2 Brinell hardness shall be determined according to Test Method E10 after sufficient material has been removed from the casting surface to insure representative hardness readings. The 10 mm ball and 3000 kg load shall be used unless otherwise specified and agreed upon.

#### 9. Special Requirements

9.1 When specified in the contract or purchase order, castings shall meet special requirements as to hardness, chemical composition, microstructure, pressure tightness, radiographic soundness, magnetic particle inspection, dimensions, and surface finish. Refer to Specification A834 for a list of common requirements for iron castings not specifically referenced elsewhere in this specification.

9.2 When specified in the contract or purchase order, castings shall meet special requirements prior to the austempering heat treatment operation.

#### 10. Heat Treatment

10.1 Castings produced in accordance with this specification to achieve the minimum mechanical properties in Table 1 shall be heat treated by an austempering process consisting of heating the castings to a fully austenitic, homogeneous condition, cooling

(at a rate usually sufficient to avoid the formation of pearlite) to a temperature above the martensite start temperature, and isothermally transforming the matrix structure for a time sufficient to produce the desired properties. This process shall produce a microstructure that is substantially ausferrite.

10.2 Castings produced in accordance with this specification to achieve the minimum mechanical properties in Table 2 shall be heat treated by an austempering process consisting of heating the castings to an intercritical temperature to produce a fully austenitic, homogeneous condition or an austenite/ferrite condition for Grade 110/70/11 [750/500/11], homogeneous austenite/ferrite condition, cooling (at a rate usually sufficient to avoid the formation of pearlite) to a temperature above the martensite start temperature, and isothermally transforming the matrix structure for a time sufficient to produce the desired properties. This process shall produce a microstructure that is substantially ausferrite or ausferrite/proeutectoid ferrite for Grade 110/70/11 [750/500/11]; a mixture of proeutectoid ferrite and ausferrite.

10.3 Upon agreement between the manufacturer and the purchaser, tension test specimens described in Section 13 may be machined prior to the austempering heat treatment. In this case, heat treatment shall be performed in an inert or carbon controlled environment so as to prevent carburization, decarburization, or scaling. Handling and fixturing must be such as to prevent test bar distortion (see X1.4).

10.4 Re-austempering of castings or any deviation from the established heat treating process is only permissible with the approval of the casting purchaser.

**11. Workmanship, Finish, and Appearance**

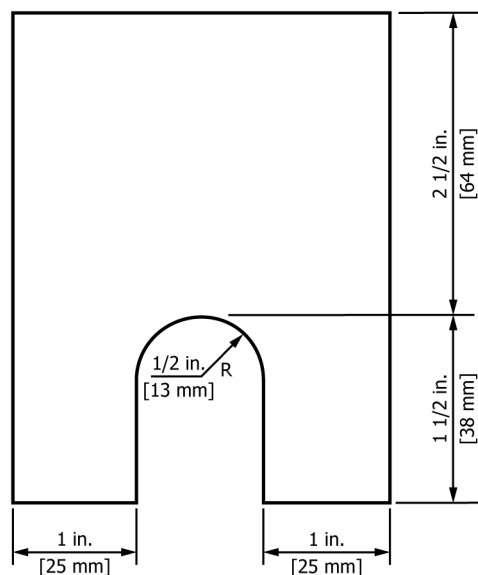
11.1 The surfaces of castings shall be clean and free of adhering molding material, heat treatment oils or salts, cracks, hot tears, or other injurious defects such as slag and surface porosity. Dimensions shall conform to drawings or patterns supplied by the purchaser.

11.2 Castings shall not have chilled corners or center chill in areas to be machined.

11.3 Welding repair is not acceptable on austempered castings.

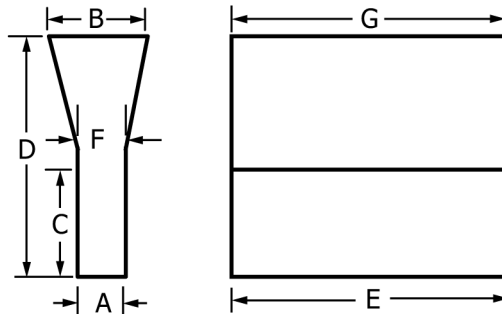
**12. Test Coupons**

12.1 Separately cast test coupons from which the tension test and Charpy test specimens are machined shall be cast to the size and shape shown in Fig. 1 or Fig. 2. A modified keel block cast from the mold shown in Fig. 3 may be substituted for the 1-in. [25-mm] Y-block or the 1-in. [25-mm] keel block. The test coupons shall be cast in open molds made of suitable core sand having a minimum wall thickness of 1½ in. [38-mm] for the ½-in. [13-mm] and 1-in. [25-mm] sizes and 3 in. [76-mm] for the 3-in. [76-mm] size. The coupons shall be left in the mold until they have cooled to a black color (900°F [480°C] or less). The size and type of coupon cast to represent the casting shall be at the option of the purchaser. In case no option is expressed, the manufacturer shall make the choice.



NOTE—The length of the keel block shall be 6 in. [150 mm].

**FIG. 1 Keel Block for Test Coupons**



Dimensions	"Y" Block Size		
	For Castings of Thickness Less Than 1/2 in. [13 mm]	For Castings of Thickness 1/2 to 1 1/2 in. [13 to 38 mm]	For Castings of Thickness of 1 1/2 in. [38 mm] and Over
	in. [mm]	in. [mm]	in. [mm]
A	1/2 [13]	1 [25]	3 [75]
B	1 5/8 [40]	2 1/8 [55]	5 [125]
C	2 [50]	3 [75]	4 [100]
D	4 [100]	6 [150]	8 [200]
E	7 [175]	7 [175]	7 [175]
F	approx 3/16 [14]	approx 1 1/16 [27]	approx 3 1/16 [78]
G	7 1/8 [180] approx	7 1/8 [180] approx	7 1/8 [180] approx

FIG. 2 Y-Blocks for Test Coupons

12.2 When investment castings are made in accordance with this specification, the manufacturer may use cast-to-size test specimens that are either incorporated in the mold with the castings or separately cast using the same type of mold and the same thermal conditions that are used to produce the castings. The test specimens shall be made to the dimensions shown in Fig. 1 of Specification A732/A732M or Fig. 5 of Test Methods and Definitions A370. The exact procedure to be used for producing test specimens shall be agreed upon by the manufacturer and the purchaser.

12.3 When castings made in accordance with this specification are produced by nodularization directly in the mold, the manufacturer may use either separately cast test coupons or test specimens cut from castings. If test bars are to be cut from castings, test bar location shall be agreed upon by the purchaser and the manufacturer and indicated on the casting drawing. When separately cast test coupons are used, selection shall be as outlined in 12.1 and shown in Figs. 1-6. Appendix X2 provides guidelines for selection of coupons with mold cooling rates representative of various casting sections.

12.4 Test coupons shall be poured from the same ladle or heat as the castings they represent and, unless otherwise agreed upon by the manufacturer and the purchaser, shall be subject to the same post inoculation and alloying practice.

12.5 Test coupons shall be heat treated with the castings they represent.

12.6 The number of test coupons and the number of tests required per order or lot size shall be established at the time of ordering. This agreement should include a definition of lot size. Lot size can be defined to include the entire order, a specified portion of that order, a specified manufacturing production period, or a specified quantity of parts shipped to the purchaser.

12.7 If any test specimen shows obvious defects, another may be cut from the same test block or from another test block representing the same metal. Positions other than "A" or "B" in Fig. 4 shall not be used. In those cases where removal of test bars from actual castings has been agreed upon (see 12.2 and 12.3), a second test bar may be obtained from an alternate location of equivalent section or from a second casting processed in the same lot.

### 13. Tension Test Specimens

13.1 The standard round tension test specimen with a 2-in. [50-mm] gage length shown in Fig. 5 shall be used, except when the 1/2-in. [13-mm] Y-block coupon is used. In this case, either of the test specimens shown in Fig. 6 shall be satisfactory. Tension test specimens shall be machined only from Positions A (preferred) or B in Fig. 4. The test bars may be machined before or after heat treatment in accordance with ~~10.210.3~~.

### 14. Impact Test Specimens

14.1 The unnotched Charpy impact strength shall be determined according to Test Methods E23 with the following variations: Specimens are to be prepared unnotched to dimensions in Fig. 9 of Test Methods E23. Blanks from which test specimens are

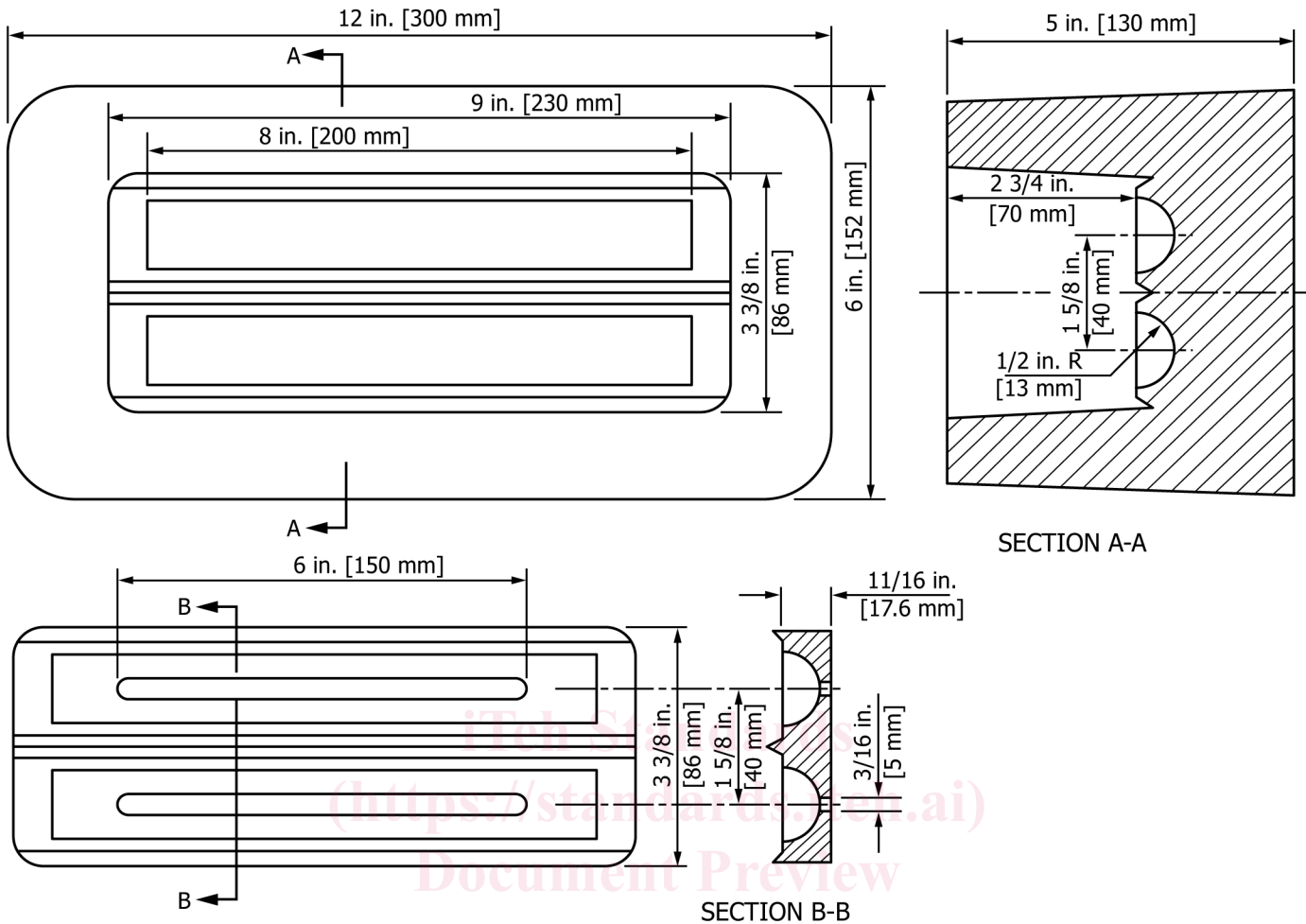


FIG. 3 Mold for Modified Keel Block

<https://standards.iteh.ai/catalog/standards/sist/a6152892-6dab-4fb2-94fd-5b317277d0f9/astm-a897-a897m-15>

machined shall be cut only from Positions A or B in Fig. 4. Test temperature shall be  $72 \pm 7^\circ\text{F}$  [ $22 \pm 4^\circ\text{C}$ ]. Four specimens shall be tested, with the lowest impact energy value discarded and the remaining three values averaged. The average impact energy shall meet the requirement of Table 1 or Table 2.

### 15. Responsibility for Quality and Inspection

15.1 At the time of an order, the purchaser should establish an agreement for quality and inspection requirements with the manufacturers. The form of this agreement depends upon which of the conditions in 15.2 or 15.3 are determined to exist.

15.2 If all manufacturing operations are performed by a single manufacturer, that manufacturer is responsible for performance of all quality and inspection requirements covered herein.

15.3 If, at the time of ordering, the purchaser determines that more than one manufacturer will contribute to the casting, machining, and heat treatment operations, in any sequential fashion, an agreement should be negotiated that defines and assigns individual responsibility for each specific quality and inspection requirement. This does not prevent an agreement wherein any one manufacturer in the chain of sequential operations can agree to assume full responsibility for all quality and inspection requirements.

15.4 To avoid future disputes, the purchaser can require that all companies in the manufacturing chain be identified. Changes shall not be made without approval of the purchaser. The manufacturer(s) may require the purchaser to provide written agreement for any changes mutually agreed upon.

15.5 Unless specified to the contrary by the purchaser, any of the manufacturers in the chain may use his or her own or any other facilities for performance of the inspection requirements. Responsibility for meeting the specified properties remains with the parties defined in 15.2 or 15.3. This shall not prevent the purchaser from also performing any or all of the quality and inspection requirements.