



Designation: E185 – 15

Standard Practice for Design of Surveillance Programs for Light-Water Moderated Nuclear Power Reactor Vessels¹

This standard is issued under the fixed designation E185; the number immediately following the designation indicates the year of original adoption or, in the case of revision, the year of last revision. A number in parentheses indicates the year of last reapproval. A superscript epsilon (ϵ) indicates an editorial change since the last revision or reapproval.

1. Scope

1.1 This practice covers procedures for designing a surveillance program for monitoring the radiation-induced changes in the mechanical properties of ferritic materials in light-water moderated nuclear power reactor vessels. New advanced light-water small molecular reactor designs with a nominal design output of 300 MWe or less have not been specifically considered in this practice. This practice includes the minimum requirements for the design of a surveillance program, selection of vessel material to be included, and the initial schedule for evaluation of materials.

1.2 This practice was developed for all light-water moderated nuclear power reactor vessels for which the predicted maximum fast neutron fluence ($E > 1$ MeV) exceeds 1×10^{21} neutrons/m² (1×10^{17} n/cm²) at the inside surface of the ferritic steel reactor vessel.

1.3 This practice does not provide specific procedures for monitoring the radiation induced changes in properties beyond the design life. Practice E2215 addresses changes to the withdrawal schedule during and beyond the design life.

1.4 The values stated in SI units are to be regarded as the standard. The values given in parentheses are for information only.

NOTE 1—The increased complexity of the requirements for a light-water moderated nuclear power reactor vessel surveillance program has necessitated the separation of the requirements into three related standards. Practice E185 describes the minimum requirements for design of a surveillance program. Practice E2215 describes the procedures for testing and evaluation of surveillance capsules removed from a reactor vessel. Guide E636 provides guidance for conducting additional mechanical tests. A summary of the many major revisions to Practice E185 since its original issuance is contained in Appendix X1.

NOTE 2—This practice applies only to the planning and design of surveillance programs for reactor vessels designed and built after the effective date of this practice. Previous versions of Practice E185 apply to earlier reactor vessels. See Appendix X1.

¹ This practice is under the jurisdiction of ASTM Committee E10 on Nuclear Technology and Applications and is the direct responsibility of Subcommittee E10.02 on Behavior and Use of Nuclear Structural Materials.

Current edition approved June 1, 2015. Published July 2015. Originally approved in 1961 as E185 – 61 T. Last previous edition approved in 2010 as E185 – 10. DOI: 10.1520/E0185-15.

2. Referenced Documents

2.1 ASTM Standards:²

- A370 Test Methods and Definitions for Mechanical Testing of Steel Products
- A751 Test Methods, Practices, and Terminology for Chemical Analysis of Steel Products
- E8/E8M Test Methods for Tension Testing of Metallic Materials
- E21 Test Methods for Elevated Temperature Tension Tests of Metallic Materials
- E23 Test Methods for Notched Bar Impact Testing of Metallic Materials
- E170 Terminology Relating to Radiation Measurements and Dosimetry
- E208 Test Method for Conducting Drop-Weight Test to Determine Nil-Ductility Transition Temperature of Ferritic Steels
- E482 Guide for Application of Neutron Transport Methods for Reactor Vessel Surveillance, E706 (IID)
- E636 Guide for Conducting Supplemental Surveillance Tests for Nuclear Power Reactor Vessels, E 706 (IH)
- E844 Guide for Sensor Set Design and Irradiation for Reactor Surveillance, E 706 (IIC)
- E853 Practice for Analysis and Interpretation of Light-Water Reactor Surveillance Results
- E900 Guide for Predicting Radiation-Induced Transition Temperature Shift in Reactor Vessel Materials
- E1214 Guide for Use of Melt Wire Temperature Monitors for Reactor Vessel Surveillance, E 706 (IIIE)
- E1253 Guide for Reconstitution of Irradiated Charpy-Sized Specimens
- E1820 Test Method for Measurement of Fracture Toughness
- E1921 Test Method for Determination of Reference Temperature, T_{0} , for Ferritic Steels in the Transition Range
- E2215 Practice for Evaluation of Surveillance Capsules from Light-Water Moderated Nuclear Power Reactor Vessels

² For referenced ASTM standards, visit the ASTM website, www.astm.org, or contact ASTM Customer Service at service@astm.org. For *Annual Book of ASTM Standards* volume information, refer to the standard's Document Summary page on the ASTM website.

E2298 Test Method for Instrumented Impact Testing of Metallic Materials

E2956 Guide for Monitoring the Neutron Exposure of LWR Reactor Pressure Vessels

2.2 *ASME Standards*:³

Boiler and Pressure Vessel Code, Section III Subsection NB-2000

Boiler and Pressure Vessel Code, Section XI Nonmandatory Appendix A, Analysis of Flaws, and Nonmandatory Appendix G, Fracture Toughness Criteria for Protection Against Failure

3. Terminology

3.1 Definitions:

3.1.1 *base metal*—as-fabricated plate material or forging material other than a weld or its corresponding heat-affected-zone (HAZ).

3.1.2 *beltline*—the irradiated region of the reactor vessel (shell material including weld seams and plates or forgings) that directly surrounds the effective height of the active core. Note that materials in regions adjacent to the beltline may sustain sufficient neutron damage to warrant consideration in the selection of surveillance materials.

3.1.3 *Charpy transition temperature curve*—a graphic or a curve-fitted presentation, or both, of absorbed energy, lateral expansion, or fracture appearance as functions of test temperature, extending over a range including the lower shelf (5 % or less shear fracture appearance), transition region, and the upper shelf (95 % or greater shear fracture appearance).

3.1.4 *Charpy transition temperature shift*—the difference in the 41 J (30 ft-lbf) index temperatures for the best fit (average) Charpy absorbed energy curve measured before and after irradiation. Similar measures of temperature shift can be defined based on other indices in 3.1.3, but the current industry practice is to use 41 J (30 ft-lbf) and is consistent with Guide E900.

3.1.5 *Charpy upper-shelf energy level*—the average energy value for all Charpy specimen tests (preferably three or more) whose test temperature is at or above the Charpy upper-shelf onset; specimens tested at temperatures greater than 83°C (150°F) above the Charpy upper-shelf onset shall not be included, unless no data are available between the onset temperature and onset +83°C (+150°F).

3.1.6 *Charpy upper-shelf onset*—the temperature at which the fracture appearance of all Charpy specimens tested is at or above 95 % shear.

3.1.7 *heat-affected-zone (HAZ)*—plate material or forging material extending outward from, but not including, the weld fusion line in which the microstructure of the base metal has been altered by the heat of the welding process.

3.1.8 *index temperature*—the temperature corresponding to a predetermined level of absorbed energy, lateral expansion, or fracture appearance obtained from the best-fit (average) Charpy transition curve.

³ Available from the American Society of Mechanical Engineers, Third Park Avenue, New York, NY 10016.

3.1.9 *lead factor*—the ratio of the average neutron fluence ($E > 1$ MeV) of the specimens in a surveillance capsule to the peak neutron fluence ($E > 1$ MeV) of the corresponding material at the ferritic steel reactor pressure vessel inside surface calculated over the same time period.

3.1.9.1 *Discussion*—Changes in the reactor operating parameters or fuel management may cause the lead factor to change.

3.1.10 *limiting materials*—typically the weld and base material with the highest predicted transition temperature using the projected fluence at the end of design life of each material determined by adding the appropriate transition temperature shift to the unirradiated RT_{NDT} . Materials that are projected to most closely approach a regulatory limit at the end of the design life should be considered in selecting the limiting material. The transition temperature shift can be determined from the relationship found in Guide E900 or other sources, including regulations. The basis for selecting the limiting weld and base materials shall be documented.

3.1.11 *maximum design fluence (MDF)*—the maximum projected fluence at the inside surface of the ferritic pressure vessel at the end of design life (if clad, MDF is defined at the interface of the cladding to the ferritic steel). Changes during operation will affect the projected fluence and are addressed in Practice E2215.

3.1.12 *reference material*—any steel that has been characterized as to the sensitivity of its tensile, impact and fracture toughness properties to neutron radiation-induced embrittlement.

3.1.13 *reference temperature (RT_{NDT})*—see subarticle NB-2300 of the ASME Boiler and Pressure Vessel Code, Section III, “Nuclear Power Plant Components” for the definition of RT_{NDT} for unirradiated material based on Charpy (Test Method A370) and drop weight tests (Test Method E208). ASME Code Section XI, Appendices A and G provide an alternative definition for the reference temperature (RT_{T_0}) based on fracture toughness properties (Test Method E1921)

3.1.14 *standby capsule*—a surveillance capsule meeting the recommendations of this practice that is in the reactor vessel irradiation location as defined by Practice E185, but the testing of which is not required by this practice.

3.2 Neutron Exposure Terminology:

3.2.1 Definitions of terms related to neutron dosimetry and exposure are provided in Terminology E170.

4. Significance and Use

4.1 Predictions of neutron radiation effects on pressure vessel steels are considered in the design of light-water moderated nuclear power reactors. Changes in system operating parameters often are made throughout the service life of the reactor vessel to account for radiation effects. Due to the variability in the behavior of reactor vessel steels, a surveillance program is warranted to monitor changes in the properties of actual vessel materials caused by long-term exposure to the neutron radiation and temperature environment of the reactor vessel. This practice describes the criteria that should be considered in planning and implementing surveillance test

programs and points out precautions that should be taken to ensure that: (1) capsule exposures can be related to beltline exposures, (2) materials selected for the surveillance program are samples of those materials most likely to limit the operation of the reactor vessel, and (3) the test specimen types are appropriate for the evaluation of radiation effects on the reactor vessel.

4.2 The methodology to be used in estimation of neutron exposure obtained for reactor vessel surveillance programs is defined in Guides E482 and E853.

4.3 The design of a surveillance program for a given reactor vessel must consider the existing body of data on similar materials in addition to the specific materials used for that reactor vessel. The amount of such data and the similarity of exposure conditions and material characteristics will determine their applicability for predicting radiation effects.

5. Surveillance Program Design

5.1 This section describes the minimum requirements for the design of a surveillance program for monitoring the radiation-induced changes in the mechanical properties of the ferritic materials that compose the reactor vessel.

5.2 Surveillance Materials:

5.2.1 *Materials Selection*—The surveillance materials shall include, at minimum, the limiting base metal and the limiting weld. If a limiting material is outside the beltline, the limiting beltline base and weld materials shall also be included. If there is no beltline weld, capsules whose target fluence (Table 1) is greater than two times the design fluence of the limiting weld are not required to contain weld metal, except that the first capsule must contain the limiting weld material.

NOTE 3—The predicted limiting material may change during operation due to changes that may occur in the transition temperature shift prediction formulation, or other factors. Therefore, it is prudent to include additional potentially limiting materials in the surveillance program as capsule space permits.

5.2.2 *Material Sampling*—A minimum surveillance program shall consist of the material selected in 5.2.1, taken from the following: (1) base metal from the actual plate(s) or forging(s) used in the reactor vessel, and (2) weld metal(s) made with the same heat of weld wire and lot of flux and by the same welding procedure as that used for the reactor vessel welds. If a reactor vessel weld is contained in the beltline, it is recommended that at least one of the base metals used to fabricate the weldment(s) shall be a base metal beltline material included in the surveillance program. Surveillance test specimens shall be removed from full reactor vessel thickness samples.

TABLE 1 Recommended Withdrawal Schedule

Sequence	Target Fluence	Notes
First	¼ MDF	Testing Required
Second	½ MDF	Testing Required
Third	¾ MDF	Testing Required
Fourth	MDF	Testing Required
Standby	< 2 MDF	Testing Not Required

5.2.2.1 Any non-actual reactor vessel base metal used to fabricate the surveillance weld shall have a similar nominal chemical composition and thickness to the reactor vessel base metal. Any archived non-actual reactor vessel base metal(s) used to fabricate the surveillance weldment(s) shall be clearly marked with “Not actual reactor vessel base metal - Do not use for base metal or HAZ specimen” or similar, and shall be clearly identified in the associated documentation as non-actual reactor vessel base metal.

NOTE 4—Experience has shown that it is no longer necessary to include the HAZ material in the surveillance program. However, it is recommended that the HAZ material be included with the archive material (see 5.2.5).⁴

5.2.3 *Fabrication History*—The fabrication history (austenitizing, quench and tempering, and post-weld heat treatment) of the surveillance materials shall be fully representative of the fabrication history of the reactor vessel materials selected in 5.2.1 and shall be recorded.

5.2.4 *Chemical Analysis Requirements*—The chemical analysis required by the appropriate product specifications for the surveillance materials (base metal and as-deposited weld metal) shall be recorded and shall include copper (Cu), nickel (Ni), manganese (Mn), phosphorus (P), sulfur (S), silicon (Si), carbon (C), and vanadium (V), as well as all other alloying and residual elements commonly analyzed for in low-alloy steel products. The product analysis shall be as described in Test Method A751 and verified by analyzing samples selected from the base metal and the as-deposited weld metal used for the surveillance program.

5.2.5 *Archive Materials*—Enough material to fill a minimum of three additional capsules per 5.4.2 beyond the minimum number required for the program as defined in 5.8.1 shall be retained with full documentation and identification. This archive should be in the form of full-thickness sections of the original materials (plates or forgings, and welds), because the preferred type and size of test specimens may change in the intervening years. If there is a weld in the beltline, it is recommended that the beltline base metal HAZ material associated with the archive weld material be retained should supplemental data be required. If the designer includes more than one standby capsule in the program, the specimens included in these capsules count toward the archive. However, material sufficient to fill one capsule should be retained as full-thickness sections.

5.3 Test Specimens

5.3.1 *Type of Specimens*—Charpy V-notch specimens corresponding to the Type A specimen described in Test Methods A370 and E23 shall be used. Tension specimens of the type, size, and shape described in Test Methods A370 and E8/E8M are recommended. The gage section of irradiated and unirradiated tension specimens shall be of the same size and shape. Fracture toughness test specimens shall be consistent with the

⁴ Troyer, G., and Erickson, M., “Empirical Analyses of Effects of the Heat Affected Zone and Post Weld Heat Treatment on Irradiation Embrittlement of Reactor Pressure Vessel Steel,” Effects of Radiation on Nuclear Materials, 26th Volume, STP 1572, Mark Kirk and Enrico Lucon, Eds. ASTM International, West Conshohocken, PA, 2014, pp. 155-170.

guidelines provided in Test Methods E1820 and E1921 and the selected type and size shall be the same for the irradiated and unirradiated condition.

5.3.2 *Specimen Orientation and Location*—Tension, Charpy and fracture toughness specimens representing the base metal (if the included weld was quenched and tempered, this is applicable to weld metal as well) shall be removed from about the quarter-thickness ($\frac{1}{4}$ -T or $\frac{3}{4}$ -T) locations with the mid-length of the specimens at least one thickness (1-T) from any second heat treated surface. The base metal specimens for baseline testing and capsule irradiation should be removed from the same location ($\frac{1}{4}$ -T or $\frac{3}{4}$ -T) for each specimen type and in as close proximity as reasonable to reduce the effect of material variability on radiation-induced mechanical property change measurements. Material from the mid-thickness of the base metal shall not be used for test specimens. Specimens representing weld metal may be removed from any location throughout the thickness with the exception of locations within 13 mm ($\frac{1}{2}$ in.) of the root or surfaces of the welds. Specimens should be centered about the center line of the weld as shown in Fig. 1. Special attention must be given to defining the root of the weld or other material variability (for example base metal dilution) in order to avoid taking weld metal that is different in composition from the surveillance weld metal. The tension and Charpy specimens from base metal shall be oriented so that the major axis of the specimen is parallel to the surface and normal to the principal rolling direction for plates, or normal to the major working direction for forgings as shown in Test Method E23, Annex A5 (T-L orientation). The axis of the notch of the Charpy specimen for base metal and weld metal shall be oriented perpendicular to the surface of the material (expected direction of crack propagation is the principal working direction). The recommended orientation of the weld metal specimens is shown in Fig. 1. Weld metal tension specimens may be oriented in the same direction as the Charpy specimens provided that the reduced section consists entirely of weld metal. The fracture toughness specimens shall have the same orientation as the Charpy specimens.

5.4 Number of Specimens

5.4.1 *Unirradiated Baseline Specimens*—A minimum of 15 Charpy specimens shall be tested to establish full Charpy transition temperature curves for each material per Test Method E23. Instrumented tests are recommended and should be performed in accordance with Test Method E2298. It is recommended that upper-shelf Charpy tests be conducted at multiple temperatures using at least three specimens tested between the upper-shelf onset and onset +83°C (+150°F). At least six tension test specimens shall be tested to establish the unirradiated tensile properties for both the base metal and the weld metal. A minimum of two specimens at room temperature (per Test Method E8/E8M) and two specimens at reactor vessel beltline operating temperature (per Test Method E21) should be tested. The remainder of the tensile specimens may be tested at intermediate temperatures as needed to define the effects of temperature on the tensile properties. It is recommended that a minimum of eight fracture toughness specimens be tested to establish the reference temperature, T_0 , per Test Method E1921 for the limiting material. Optionally, fracture toughness tests can be performed to establish the upper-shelf toughness following Test Method E1820.

5.4.2 *Irradiated Specimens*—The minimum number of test specimens for each irradiation exposure set (capsule) shall be as follows with exception noted in 5.2.1 regarding RPVs with no weld in the beltline:

Material	Charpy	Tension	Fracture Toughness
Each Base Metal	15	3	8 ^A
Each Weld Metal	15	3	8 ^A

^A Only fracture toughness specimens from the limiting material are required; the inclusion of the other material is recommended. It is suggested that a greater quantity of specimens be included in the irradiation capsules whenever possible.

5.5 Irradiation Requirements:

5.5.1 *Encapsulation of Specimens*—Specimens should be maintained in an inert environment within a corrosion-resistant capsule to prevent deterioration of the surface of the specimens during radiation exposure. Care should be exercised in the design of the capsule to ensure that the temperature history of the specimens matches, as closely as possible, the temperature

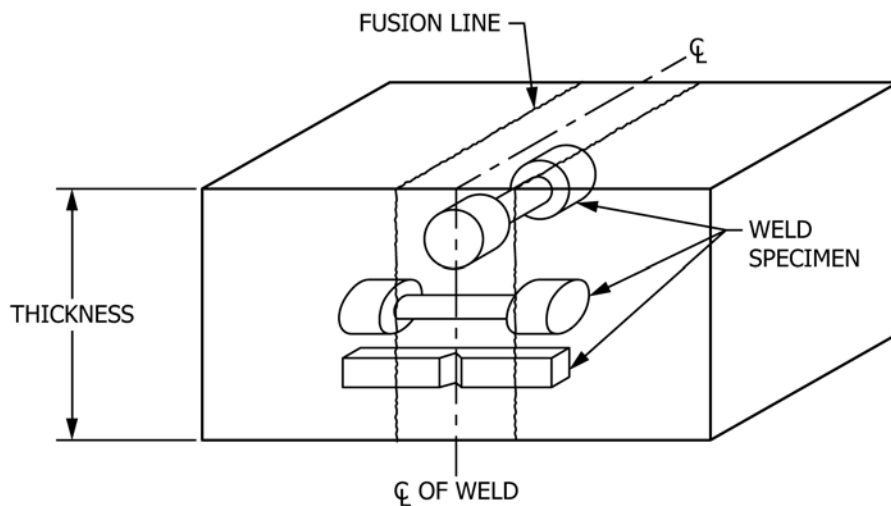


FIG. 1 Location of Test Specimens Within Weld Material