



Designation: D8002 – 15

Standard Test Method for Modified Fouling Index (MFI-0.45) of Water¹

This standard is issued under the fixed designation D8002; the number immediately following the designation indicates the year of original adoption or, in the case of revision, the year of last revision. A number in parentheses indicates the year of last reapproval. A superscript epsilon (ϵ) indicates an editorial change since the last revision or reapproval.

1. Scope

1.1 This test method covers the determination of the modified fouling index (MFI) of water measured at constant pressure. This test can be used to indicate the fouling potential of reverse osmosis/nanofiltration (RO/NF) feed water due to particulate matter and is applicable to low and high turbidity waters. Since the size, shape, and nature of particulate matter in water may vary, this test method is not an absolute measurement of the quantity of particulate matter.

1.2 This test method is not applicable for reagent-grade water Types I, II, and III of Specification D1193 or effluents from most reverse osmosis and ultra-filtration systems.

1.3 The values stated in SI units are to be regarded as standard. No other units of measurement are included in this standard.

1.4 *This standard does not purport to address all of the safety concerns, if any, associated with its use. It is the responsibility of the user of this standard to establish appropriate safety and health practices and determine the applicability of regulatory limitations prior to use.*

2. Referenced Documents

2.1 *ASTM Standards:*²

D1129 Terminology Relating to Water

D1193 Specification for Reagent Water

D2777 Practice for Determination of Precision and Bias of Applicable Test Methods of Committee D19 on Water

D3370 Practices for Sampling Water from Closed Conduits

D4189 Test Method for Silt Density Index (SDI) of Water

D6161 Terminology Used for Microfiltration, Ultrafiltration, Nanofiltration and Reverse Osmosis Membrane Processes

D7726 Guide for The Use of Various Turbidimeter Tech-

nologies for Measurement of Turbidity in Water

3. Terminology

3.1 *Definitions:*

3.1.1 For definitions of terms used in this standard, refer to Terminologies D1129 and D6161.

3.2 *Definitions of Terms Specific to This Standard:*

3.2.1 *modified fouling index, MFI-0.45, n*—index calculated from the development of filtration velocity through a 0.45- μ m membrane filter. **D2777**

4. Summary of Test Method

4.1 Water is passed through a 0.45- μ m membrane filter at constant pressure of 200 kPa and the development of the rate of filtration is measured continuously.

4.2 The MFI is calculated from the obtained data of flow versus time at constant pressure and temperature.

5. Significance and Use

5.1 This test method is an alternative for the silt density index (SDI) method (Test Method D4189) with the aim to overcome inaccuracies related to a nonlinear relation with the fouling potential due to particulate matter concentration, absence of temperature correction, support pad, and time.

5.2 The MFI-0.45 can serve as a useful indication of the quantity of particulate matter.

5.3 The MFI-0.45 can be used to determine effectiveness of various processes such as filtration or clarification used to remove particulate matter.

5.4 The MFI-0.45 has empirically been correlated with fouling tendency of some water treatment equipment such as reverse osmosis (RO) devices.

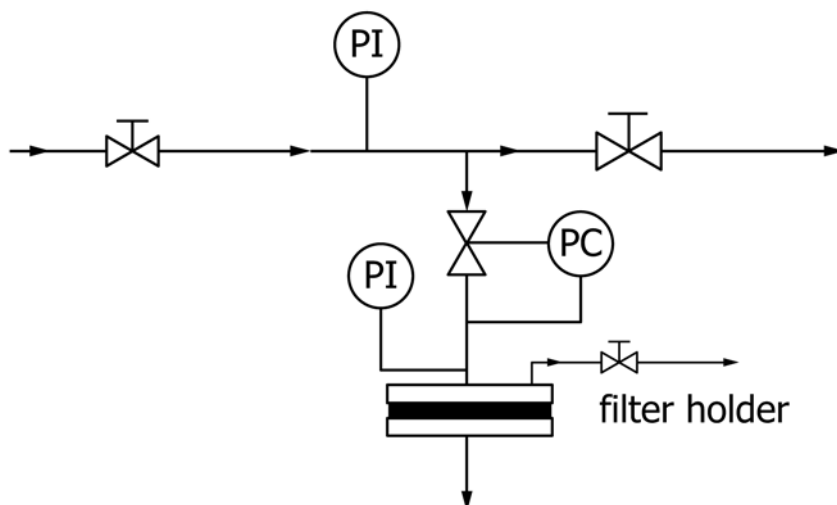
6. Apparatus

6.1 *MFI Assembly*—As described in Fig. 1 and Fig. 2, wetted parts should be made of high-quality stainless or plastic to prevent contamination by corrosion products. Do not use reactive materials such as carbon steel, galvanized steel, cast iron, and copper alloys. Suitable filter holders, designed to withstand an operational gage pressure of 350 kPa, can be obtained from suppliers of membrane filters. The filter holder should be equipped with a device releasing air.

¹ This test method is under the jurisdiction of ASTM Committee D19 on Water and is the direct responsibility of Subcommittee D19.08 on Membranes and Ion Exchange Materials.

Current edition approved July 15, 2015. Published August 2015. DOI: 10.1520/D8002-15.

² For referenced ASTM standards, visit the ASTM website, www.astm.org, or contact ASTM Customer Service at service@astm.org. For *Annual Book of ASTM Standards* volume information, refer to the standard's Document Summary page on the ASTM website.



NOTE 1—PI is pressure indicator; PC is pressure controller.

FIG. 1 Apparatus for Measuring MFI at Constant Pressure with a Pump

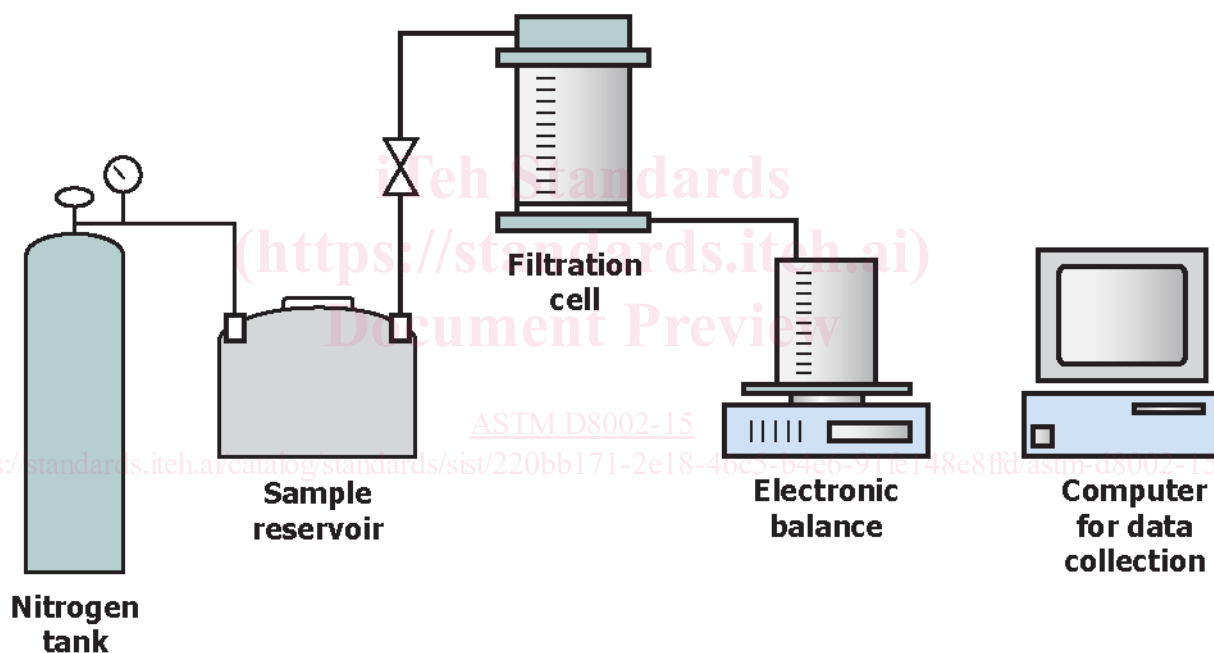


FIG. 2 Representative Apparatus for Measuring MFI at Constant Pressure with a Pressure Vessel

6.2 Membrane Filter:

6.2.1 Membrane, white hydrophilic, mixed cellulose nitrate (50–75 %) and mixed cellulose acetate (MCE).

6.2.2 Replaceable Highly Porous Foam Support Pad, to be placed on the bottom of the filter holder.

6.2.3 Mean Pore Size, 0.45 μm .

6.2.4 Diameter, 47 mm.

6.2.5 Thickness, 115 to 180 μm .

6.2.6 Pure Water Flow, 25 to 50 s/500 mL.

6.2.7 Pressure Difference across Membrane Filter, 200 kPa.

6.2.8 Bubble Point, 179 to 248 kPa.

6.2.9 Use only filters that are packaged in the same orientation.

6.3 Thermometer or Sensor Suitable for Measuring Temperature of the Water Sample, capable of being read or registered $\pm 1^\circ\text{C}$.

6.4 Electronic flow meter or mass balance.

6.5 Computer or data-collecting and processing device.

7. Procedure

7.1 Assemble apparatus as shown in Fig. 1 and Fig. 2 including flow-measuring devices (electronic flow meter or mass balance) and set the pressure regulator at 200 kPa.

7.2 Before installing the membrane filter, flush the water to be tested through the apparatus to remove contaminants. For