

INTERNATIONAL STANDARD

IEC 60115-1

1999

AMENDMENT 1
2001-02

Amendment 1

Fixed resistors for use in electronic equipment –

**Part 1:
Generic specification**

Amendement 1

*Résistances fixes utilisées dans les équipements
électroniques –*

*Partie 1:
Spécification générique*

© IEC 2001 — Copyright - all rights reserved

International Electrotechnical Commission
Telefax: +41 22 919 0300

3, rue de Varembé Geneva, Switzerland
e-mail: inmail@iec.ch

IEC web site <http://www.iec.ch>



Commission Electrotechnique Internationale
International Electrotechnical Commission
Международная Электротехническая Комиссия

PRICE CODE

D

For price, see current catalogue

FOREWORD

This amendment has been prepared by IEC technical committee 40: Capacitors and resistors for electronic equipment.

The text of this amendment is based on the following documents:

FDIS	Report on voting
40/1184/FDIS	40/1194/RVD

Full information on the voting for the approval of this amendment can be found in the report on voting indicated in the above table.

The committee has decided that the contents of the base publication and its amendments will remain unchanged until 2006. At this date, the publication will be

- reconfirmed;
- withdrawn;
- replaced by a revised edition, or
- amended.

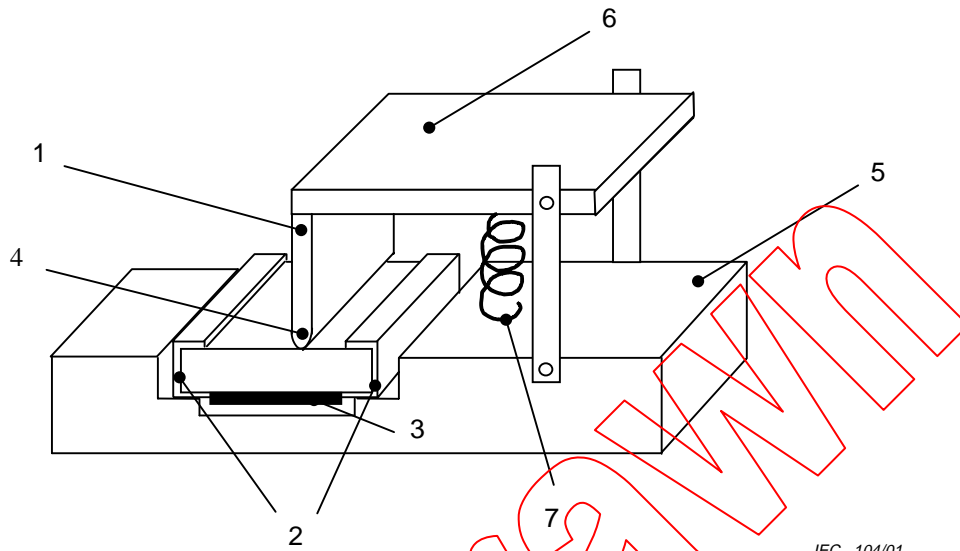
A bilingual version of this amendment may be issued at a later date.

(<https://standards.iteh.ai>)
Document Preview

<https://standards.iteh.ai/catalogue/standards/iec/iec33871438702-46d3-89d8-968802c7a47f/iec-60115-1-1999-amd1-2001>

<https://standards.iteh.ai/catalogue/standards/iec/iec33871438702-46d3-89d8-968802c7a47f/iec-60115-1-1999-amd1-2001>

Replace the existing figure 2 by the following new figure 2:



IEC 104/01

Key

- 1 Metal block, test point A
- 2 Terminations of the resistor
- 3 Coating side
- 4 Radius 0,25 mm to 0,5 mm
- 5 Metal plate, test point B
- 6 Insulation material
- 7 Spring

**Figure 2 – Insulation resistance and voltage proof test jig
for rectangular surface mount resistors**