

---

**INTERNATIONAL STANDARD**



**3765**

---

INTERNATIONAL ORGANIZATION FOR STANDARDIZATION • МЕЖДУНАРОДНАЯ ОРГАНИЗАЦИЯ ПО СТАНДАРТИЗАЦИИ • ORGANISATION INTERNATIONALE DE NORMALISATION

---

**Timekeeping instruments — Wristwatch cases — Dimensions of fastening elements for bracelets**

*Instruments horaires — Boîtes de montres-bracelets — Dimensions de raccordement pour les bracelets*

First edition — 1976-06-15

**iTeh STANDARD PREVIEW**  
**(standards.iteh.ai)**

[ISO 3765:1976](https://standards.iteh.ai/catalog/standards/sist/33884e70-2e42-45d0-9f79-e8f5ff79b304/iso-3765-1976)

<https://standards.iteh.ai/catalog/standards/sist/33884e70-2e42-45d0-9f79-e8f5ff79b304/iso-3765-1976>

---

UDC 681.114.8-181

Ref. No. ISO 3765-1976 (E)

**Descriptors** : time-measuring instruments, watches, wrist watches, watch cases, connecting dimensions.

Price based on 1 page

## FOREWORD

ISO (the International Organization for Standardization) is a worldwide federation of national standards institutes (ISO Member Bodies). The work of developing International Standards is carried out through ISO Technical Committees. Every Member Body interested in a subject for which a Technical Committee has been set up has the right to be represented on that Committee. International organizations, governmental and non-governmental, in liaison with ISO, also take part in the work.

Draft International Standards adopted by the Technical Committees are circulated to the Member Bodies for approval before their acceptance as International Standards by the ISO Council.

International Standard ISO 3765 was drawn up by Technical Committee ISO/TC 114, *Horology*, and was circulated to the Member Bodies in May 1975.

It has been approved by the Member Bodies of the following countries :

Czechoslovakia	Portugal	Switzerland
France	Romania	Turkey
Germany	South Africa, Rep. of	United Kingdom
Japan	Spain	U.S.S.R.

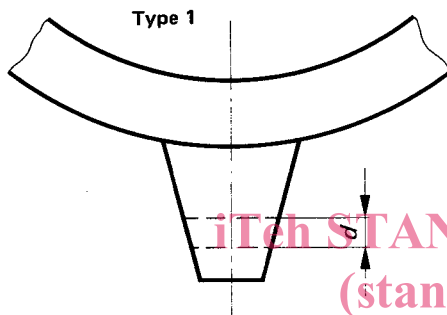
No Member Body expressed disapproval of the document.

# Timekeeping instruments – Wristwatch cases – Dimensions of fastening elements for bracelets

## 1 SCOPE AND FIELD OF APPLICATION

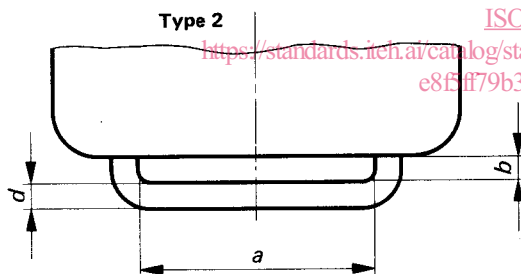
This International Standard lays down the dimensions and tolerances of fastening elements for bracelets, applicable to wristwatch cases.

## 2 DIMENSIONS AND TOLERANCES



Type 1 Dimensions in millimetres

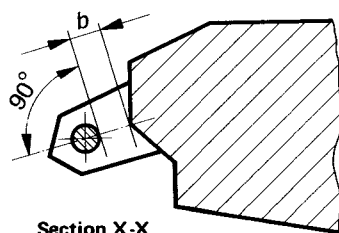
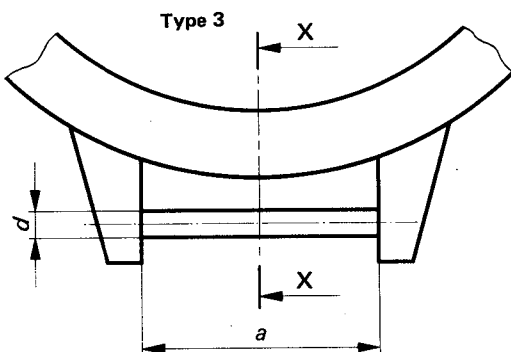
$d$ H13
1,2
1,4
1,6
2
2,5
3
3,5
4



ISO 3765:1976

Types 2 and 3 Dimensions in millimetres

$a$ H13	$b$	$d$
5		
6		
7		
8		
9		
10		
11		
12		
(13)		
14		
(15)		
16	0,5	1,2
(17)	1	1,5
(17,5)	1,5	1,8
18	2	2
(19)		2,5
20		
22		
24		
(25)		
26		
28		
30		
32		
36		
40		



The dimensions between parentheses are to be avoided.