
**Timekeeping instruments —
Wristwatches — Dimensions of bracelet-to-
case fastening elements**

*Instruments horaires — Montres-bracelets — Dimensions de raccordement
des bracelets aux boîtes*

iTeh STANDARD PREVIEW
(standards.iteh.ai)

[ISO 3765:1998](https://standards.iteh.ai/catalog/standards/sist/c22ac31a-2209-4fad-b2aa-c37b10ef4d2/iso-3765-1998)

[https://standards.iteh.ai/catalog/standards/sist/c22ac31a-2209-4fad-b2aa-
c37b10ef4d2/iso-3765-1998](https://standards.iteh.ai/catalog/standards/sist/c22ac31a-2209-4fad-b2aa-c37b10ef4d2/iso-3765-1998)



Foreword

ISO (the International Organization for Standardization) is a worldwide federation of national standards bodies (ISO member bodies). The work of preparing International Standards is normally carried out through ISO technical committees. Each member body interested in a subject for which a technical committee has been established has the right to be represented on that committee. International organizations, governmental and non-governmental, in liaison with ISO, also take part in the work. ISO collaborates closely with the International Electrotechnical Commission (IEC) on all matters of electrotechnical standardization.

Draft International Standards adopted by the technical committees are circulated to the member bodies for voting. Publication as an International Standard requires approval by at least 75 % of the member bodies casting a vote.

International Standard ISO 3765 was prepared by Technical Committee ISO/TC 114, *Horology*, Subcommittee SC 7, *Overall dimensions*.

This second edition cancels and replaces the first edition (ISO 3765:1976), which has been technically revised.

iTeh STANDARD PREVIEW (standards.iteh.ai)

[ISO 3765:1998](https://standards.iteh.ai/catalog/standards/sist/c22ac31a-2209-4fad-b2aa-cf37b10ef4d2/iso-3765-1998)

<https://standards.iteh.ai/catalog/standards/sist/c22ac31a-2209-4fad-b2aa-cf37b10ef4d2/iso-3765-1998>

© ISO 1998

All rights reserved. Unless otherwise specified, no part of this publication may be reproduced or utilized in any form or by any means, electronic or mechanical, including photocopying and microfilm, without permission in writing from the publisher.

International Organization for Standardization
Case postale 56 • CH-1211 Genève 20 • Switzerland
Internet iso@iso.ch

Printed in Switzerland

Timekeeping instruments — Wristwatches — Dimensions of bracelet-to-case fastening elements

1 Scope

This International Standard specifies the dimensions for fixing a bracelet to a wristwatch-case with the use of spring bars.

This International Standard is applicable to wristwatch cases of two types and spring bars of three types.

2 Normative references

The following standards contain provisions which, through reference in this text, constitute provisions of this International Standard. At the time of publication, the editions indicated were valid. All standards are subject to revision, and parties to agreements based on this International Standard are encouraged to investigate the possibility of applying the most recent editions of the standards indicated below. Members of IEC and ISO maintain registers of currently valid International Standards.

ISO 286-1:1988, *ISO system of limits and fits — Part 1: Bases of tolerances, deviations and fits*.

ISO 6426-2:1984, *Horological vocabulary — Part 2: Technico-commercial definitions*.

3 Definitions

For the purposes of this International Standard, the definitions given in ISO 6426-2 and the following apply.

3.1

case

protective jacket in which a watch-movement is mounted

3.2

lug

part of a case with a hole to which a bracelet is fastened with a spring bar

3.3

spring bar

unit containing a spring and used for fastening a bracelet to a case

4 Classification

4.1 Wristwatch-cases

Wristwatch-cases are classified into two types:

Type 1: case with two lugs arranged on two sides of a case; a bracelet is fastened between these lugs by the use of spring bars (figures 1 and 2);

Type 2: case similar to type 1 case but lugs are made together with a cover arranged on the upper surface of lugs; a bracelet is fastened between these lugs by the use of a spring bar (figure 3).

4.2 Spring bars

This International Standard is applicable to three types of spring bars:

Type 1: spring bar with two moving pins (figure 4);

Type 2: spring bar with one moving pin (figure 5);

Type 3: curved spring bar (figure 6).

5 Forms and dimensions of fastening elements

5.1 Types of watch-cases

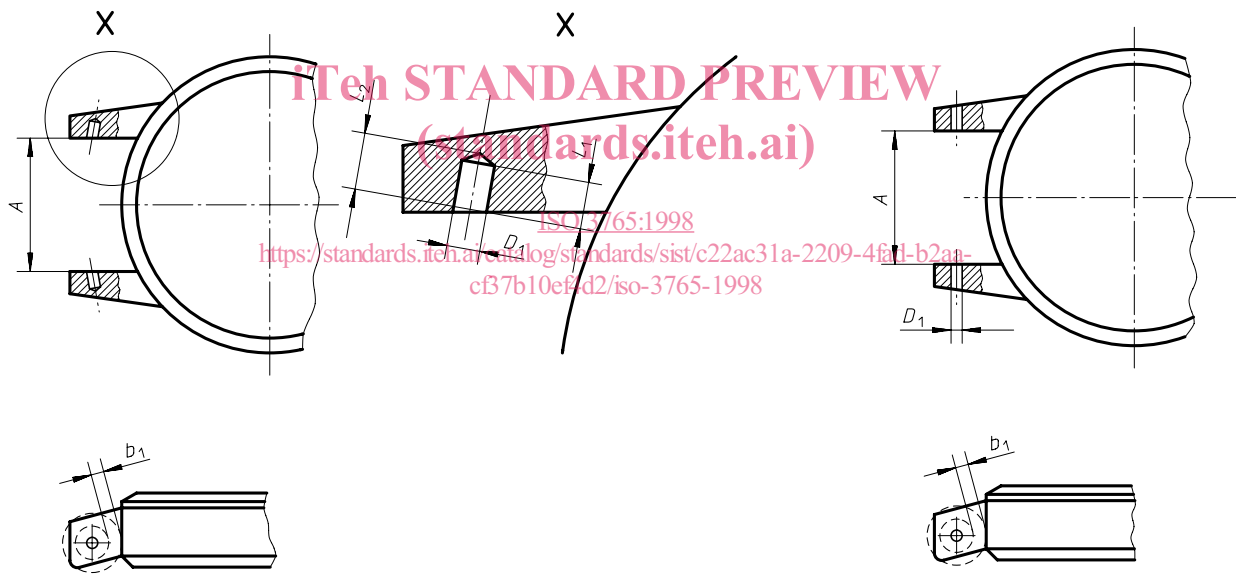


Figure 1 — Type 1 case with two lugs fitted with blind holes

Figure 2 — Type 1 case with two lugs fitted with through holes

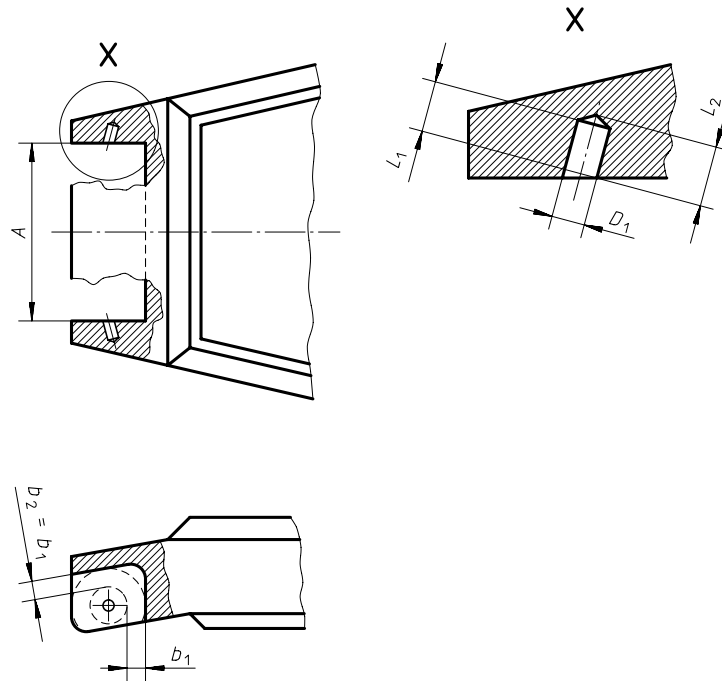
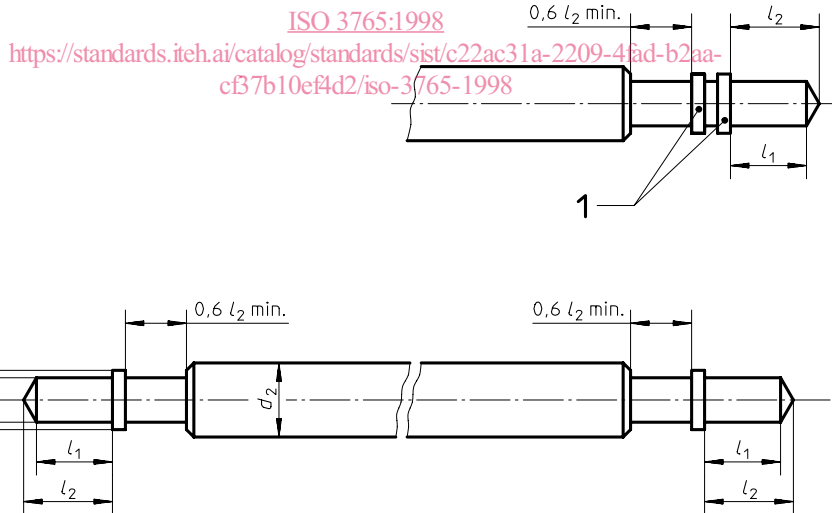


Figure 3 — Type 2 case with two lugs made together with a cover

ITeH STANDARD PREVIEW
(standards.iteh.ai)

5.2 Types of spring bars



Key

1 Variant of collar

Figure 4 — Type 1 spring bar with two moving pins

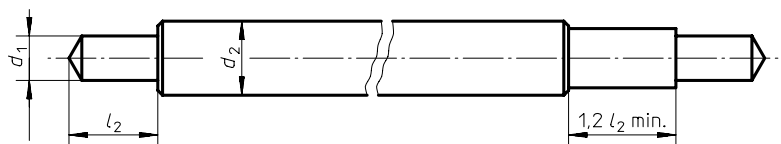


Figure 5 — Type 2 spring bar with a single moving pin

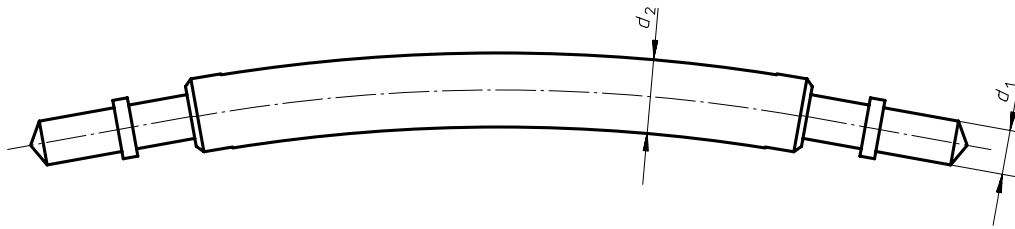


Figure 6 — Curved spring bar

6 Fixing dimensions and tolerances of watch-cases and spring bars

See tables 1 and 2.

Table 1 — Watch-cases

Dimensions in millimetres

Distance between lugs	Clearance for spring bar	Diameter of hole in lug	Useful depth of hole	Length of hole
<i>A</i>	$b_1 = b_2$	D_1	L_1	L_2
H13 ^a	H15 ^a	H11 ^a	min.	min.
5				
6				
7				
8				
9				
10				
11	0,5	$D_1 = d + 0,05$		
12	0,7			
13	1,1	or	$L_1 = l_2 + 0,05$	$L_2 = l_2 + 0,10$
14	1,5			
15	2,0	$D_1 = d_1 + 0,10$		
16				
17				
18				
19				
20				
22				
24				

^a See ISO 286-1.

Table 2 — Spring bars

Dimensions in millimetres

Diameter of pin	Diameter of body	Diameter of collar	Useful length of pivot	Length of pivot
d_1	d_2	d_3	l_1	l_2
h11 ^a	h11 ^a	js11 ^a	min.	max.
0,56	1,00	0,80		0,70
				0,80
0,75	1,30	1,20		0,80
	1,50	1,40		
	1,80			
0,80	1,20	1,05	$l_1 = 0,85 l_2$	0,95
	1,50	1,20		
	1,80	1,30		
0,90	1,80	1,70		1,00
1,00	2,00	1,60		1,10
1,20	2,50	1,80		1,20

^a See ISO 286-1.

iTeh STANDARD PREVIEW
(standards.iteh.ai)

ISO 3765:1998

<https://standards.iteh.ai/catalog/standards/sist/c22ac31a-2209-4fad-b2aa-cf37b10ef4d2/iso-3765-1998>

iTeh STANDARD PREVIEW
(standards.iteh.ai)

[ISO 3765:1998](https://standards.iteh.ai/catalog/standards/sist/c22ac31a-2209-4fad-b2aa-cf37b10ef4d2/iso-3765-1998)

<https://standards.iteh.ai/catalog/standards/sist/c22ac31a-2209-4fad-b2aa-cf37b10ef4d2/iso-3765-1998>

ICS 39.040.10

Descriptors: horological industry, time measuring instruments, wrist watches, watch cases, fasteners, form specifications, dimensions, dimensional tolerances.

Price based on 4 pages
