



**SLOVENSKI STANDARD**  
**SIST EN 527-1:2001**

**01-februar-2001**

---

**Pisarniško pohištvo - Delovne mize in pisalne mize - 1. del: Mere**

Office furniture - Work tables and desks - Part 1: Dimensions

Büromöbel - Büro-Arbeitstische - Teil 1: Maße

Mobilier de bureau - Tables de travail de bureau - Partie 1: Dimensions

**Ta slovenski standard je istoveten z: EN 527-1:2000**

[SIST EN 527-1:2001](https://standards.iteh.ai/catalog/standards/sist/f7185e96-bafc-40c6-b40d-a0d044bc2650/sist-en-527-1-2001)

<https://standards.iteh.ai/catalog/standards/sist/f7185e96-bafc-40c6-b40d-a0d044bc2650/sist-en-527-1-2001>

**ICS:**

97.140      Pohištvo      Furniture

**SIST EN 527-1:2001**      **en**

**iTeh STANDARD PREVIEW**  
**(standards.iteh.ai)**

SIST EN 527-1:2001

<https://standards.iteh.ai/catalog/standards/sist/f7185e96-bafc-40c6-b40d-a0d044bc2650/sist-en-527-1-2001>

EUROPEAN STANDARD  
NORME EUROPÉENNE  
EUROPÄISCHE NORM

EN 527-1

January 2000

ICS 97.140

English version

Office furniture - Work tables and desks - Part 1: Dimensions

Mobilier de bureau - Tables de travail de bureau - Partie 1:  
Dimensions

Büromöbel - Büro-Arbeitstische - Teil 1: Maße

This European Standard was approved by CEN on 20 September 1999.

CEN members are bound to comply with the CEN/CENELEC Internal Regulations which stipulate the conditions for giving this European Standard the status of a national standard without any alteration. Up-to-date lists and bibliographical references concerning such national standards may be obtained on application to the Central Secretariat or to any CEN member.

This European Standard exists in three official versions (English, French, German). A version in any other language made by translation under the responsibility of a CEN member into its own language and notified to the Central Secretariat has the same status as the official versions.

CEN members are the national standards bodies of Austria, Belgium, Czech Republic, Denmark, Finland, France, Germany, Greece, Iceland, Ireland, Italy, Luxembourg, Netherlands, Norway, Portugal, Spain, Sweden, Switzerland and United Kingdom.

iTeh STANDARD PREVIEW  
(standards.iteh.ai)

[SIST EN 527-1:2001](https://standards.iteh.ai/catalog/standards/sist/f7185e96-bafc-40c6-b40d-a0d044bc2650/sist-en-527-1-2001)

<https://standards.iteh.ai/catalog/standards/sist/f7185e96-bafc-40c6-b40d-a0d044bc2650/sist-en-527-1-2001>



EUROPEAN COMMITTEE FOR STANDARDIZATION  
COMITÉ EUROPÉEN DE NORMALISATION  
EUROPÄISCHES KOMITEE FÜR NORMUNG

Central Secretariat: rue de Stassart, 36 B-1050 Brussels

## Contents

	Page
Foreword .....	2
Introduction .....	3
1 Scope .....	3
2 Definitions .....	3
3 Size of work surface .....	4
4 Height of work surfaces .....	5
5 Leg room .....	6
Annex A (informative) A - deviations .....	9

**iTeh STANDARD PREVIEW**  
(standards.iteh.ai)

SIST EN 527-1:2001

[https://standards.iteh.ai/catalog/standards/sist/f7185e96-bafc-40c6-b40d-](https://standards.iteh.ai/catalog/standards/sist/f7185e96-bafc-40c6-b40d-a0d044bc2650/sist-en-527-1-2001)

[a0d044bc2650/sist-en-527-1-2001](https://standards.iteh.ai/catalog/standards/sist/f7185e96-bafc-40c6-b40d-a0d044bc2650/sist-en-527-1-2001)

## Foreword

This European Standard has been prepared by Technical Committee CEN/TC 207 "Furniture", the secretariat of which is held by IBN.

This European Standard shall be given the status of a national standard, either by publication of an identical text or by endorsement, at the latest by July 2000, and conflicting national standards shall be withdrawn at the latest by July 2000.

According to the CEN/CENELEC Internal Regulations, the national standards organizations of the following countries are bound to implement this European Standard: Austria, Belgium, Czech Republic, Denmark, Finland, France, Germany, Greece, Iceland, Ireland, Italy, Luxembourg, Netherlands, Norway, Portugal, Spain, Sweden, Switzerland and the United Kingdom.

## Introduction

Various designs of furniture for general office use exist as a consequence of rapid technological evolutions. This standard relates to office furniture of contemporary design.

The dimensional requirements of the tables and desks are based upon the 5<sup>th</sup> and 95<sup>th</sup> percentile of the European office user group. In general, this is the 5<sup>th</sup> percentile female and the 95<sup>th</sup> percentile male. To accomplish the needs of users outside this span, individual solutions can be applied. Some European countries can have 5<sup>th</sup> percentile females and/or 95<sup>th</sup> percentile males outside this European user group.

It is difficult to define « office furniture for general use ». This standard assumes that to be suitable for « general use » tables need to be able to accommodate the user and the equipment and materials, necessary to carry out the job requirements. This will usually include the majority of the items listed in 3.1.

There is considerable diversity in the terminology used to describe office furniture in different countries. Some terms, when translated, have implications in one language which are not present in another. Other terms, in particular « workstation » have been given specific definitions in regulations which differ from common usage in the office furniture market. For these reasons, the word « workstation » is not used in this standard, and the term « work surface » has been defined as a neutral term for the principal upper surface of a table.

(standards.iteh.ai)

## 1 Scope

[SIST EN 527-1:2001](https://standards.iteh.ai/catalog/standards/sist/f7185e96-bafc-40c6-b40d-a0c044bc2650/sist-en-527-1-2001)

[https://standards.iteh.ai/catalog/standards/sist/f7185e96-bafc-40c6-b40d-](https://standards.iteh.ai/catalog/standards/sist/f7185e96-bafc-40c6-b40d-a0c044bc2650/sist-en-527-1-2001)

[a0c044bc2650/sist-en-527-1-2001](https://standards.iteh.ai/catalog/standards/sist/f7185e96-bafc-40c6-b40d-a0c044bc2650/sist-en-527-1-2001)

This European Standard specifies dimensions of office tables and desks in general use.

*Note : In this standard, the words « table » and « desk » have the same meaning. For simplicity, only the word « desk » is used in the remainder of the standard.*

It includes neither dimensions for drawers nor those for other tables or reception desks.

## 2 Definitions

For the purposes of this Standard, the following definitions apply :

### 2.1 Desk for general use

Desks which are intended to be purchased by a wide range of users. It excludes antique desks or reproductions of them.

### 2.2 Office desk / desk

A unit predominantly designed for office tasks to be undertaken in a seated position.

Page 4  
EN 527-1:2000

### 2.3 Front edge

The edge closest to the user

### 2.4 Back edge

The edge opposite to the front edge

### 2.5 Work surface of the desk

The principal upper surface of a desk. It is usually horizontal.

### 2.6 Height of the work surface

The vertical dimension measured from the floor to the work surface at the front edge.

### 2.7 Work surface dimensions of rectangular desks

Width and depth two maximum dimensions of the work surface parallel to the edges.

*Note : These dimensions include any rounded edges or corners, which are required for safety reasons (see prEN 527-2:1998).*

SIST EN 527-1:2001

## 3 Size of work surface

### 3.1 General principles

The work surface of the desk shall be sufficiently large to allow the user a safe and flexible arrangement for display screen, keyboard, telephone, documents and other work items.

*Note : To ensure that a safe and flexible arrangement is fulfilled, the following factors should be taken into account :*

- Convenient arrangement of the items listed above over all parts of the work surface.
- The required viewing distance.
- 100 mm to 150 mm free space in front of any input device. This free space can be used to support the hand or wrist.
- No part of the equipment should overhang the edge of the work surface.

### 3.2 Work surface dimensions

Configurations of separate units joined together to provide work surfaces of various shapes are permitted.

Examples : rectangular, L-shaped, curved, semi-circular or combinations of these.

To be adequate for general use, the work surface of the desk shall :

- have an useable area of not less than 0.96 m<sup>2</sup> including the area for leg room as defined in clause 5,
- provide sufficient depth to meet functional requirements,
- provide sufficient front edge width to accommodate the upper body of the user.

### 3.3 Rectangular desks

If the user has only one desk with a rectangular work surface, the minimum dimensions shall be not less than 1200 mm wide x 800 mm deep. Dimensions of 1600 mm wide x 800 mm deep are recommended.

The dimensions of the work surface should be in multiples of 100 mm in width and depth.

## 4 Height of work surfaces

### 4.1 Fixed height desks

The height of work surfaces shall be 720 mm  $\pm$  15 mm.

### 4.2 Height-adjustable desks

Height-adjustable work surfaces shall have a minimum range of adjustment from 680 mm to 760 mm.

If the height adjustment is provided in fixed steps, steps of not more than 32 mm are recommended.

When the range of adjustment exceeds the range above, it is recommended that the adjustment should extend below the 680 mm height.

### 4.3 Measurement positions

All work surface heights are measured at the front edge.

The measurement of the height of the work surface is made with any leveling devices in the fully closed position.

Tiltable work surfaces shall be set to the horizontal or as near to it as possible.

Page 6  
EN 527-1:2000

## 5 Leg room

### 5.1 Fixed height desks

Leg room (see figure 1 and 2) shall be provided for the user beneath the work surface as follows:

- Width : a clear width of not less than 600 mm.
- Depth : a clear depth of not less than 600mm from the front edge.
- Vertical clear space not less than 650 mm from the floor.

A clear space shall be provided to allow the user foot room.

If for technical reasons it is not possible to maintain a clear space throughout the clear depth of 600 mm, the following heights shall be observed :

- 620 mm measured 200 mm from the front edge of the work surface
- 550 mm measured 450 mm from the front edge of the work surface
- 120 mm measured 600 mm from the front edge of the work surface

### 5.2 Height-adjustable desks

Height-adjustable desks, when set at 720 mm height, shall comply with the clear space required for the user leg room, described in 5.1.

### 5.3 Measurement position of tiltable work surfaces

If the work surface can be tilted, the leg room measurements shall be carried out in the least favourable condition.



Dimensions in millimeters

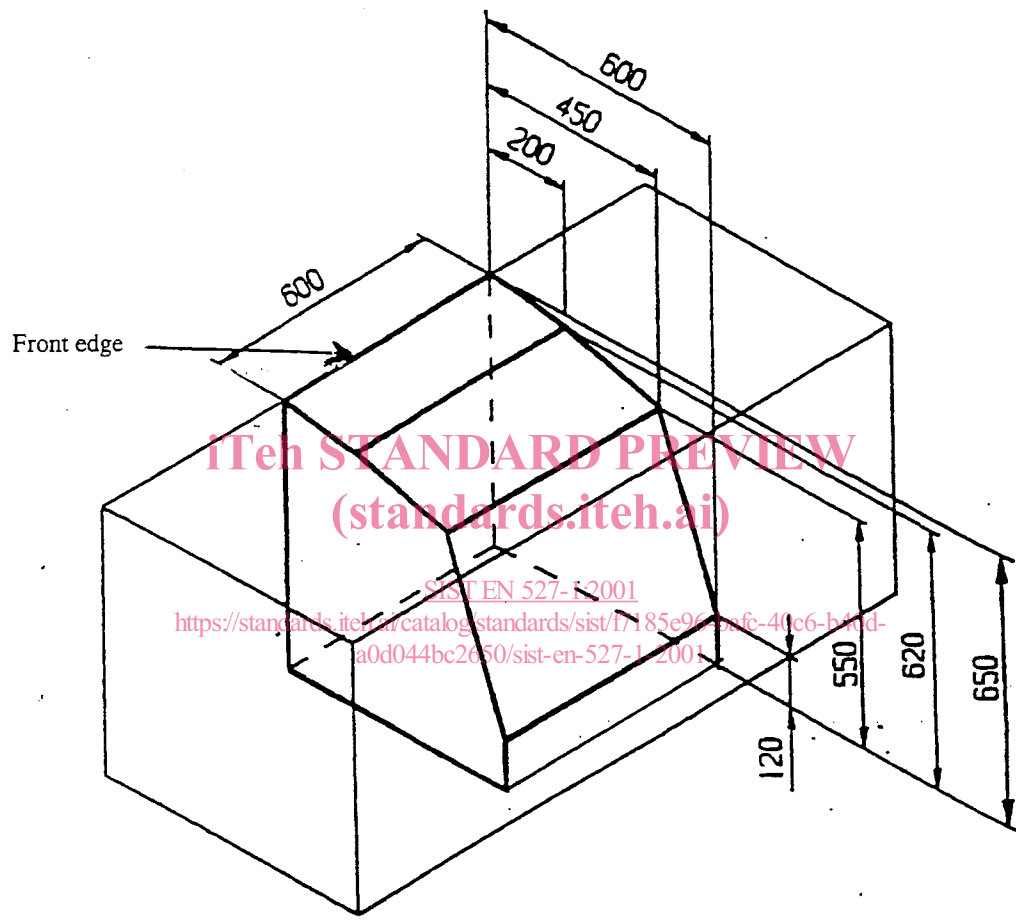


Figure 1 : Minimum leg room dimensions at 720 mm work surface height