



Designation: D5156 – 02 (Reapproved 2016)

Standard Test Methods for Continuous Measurement of Ozone in Ambient, Workplace, and Indoor Atmospheres (Ultraviolet Absorption)¹

This standard is issued under the fixed designation D5156; the number immediately following the designation indicates the year of original adoption or, in the case of revision, the year of last revision. A number in parentheses indicates the year of last reapproval. A superscript epsilon (ϵ) indicates an editorial change since the last revision or reapproval.

1. Scope

1.1 This test method describes the sampling and continuous analysis of ozone (O_3) in the atmosphere at concentrations ranging from 10 to 2000 $\mu\text{g}/\text{m}^3$ of O_3 in air (5 ppb(v) to 1 ppm(v)).

1.1.1 The test method is limited to applications by its sensitivity to interferences as described in Section 6. The interference sensitivities may limit its use for ambient and workplace atmospheres.

1.2 The values stated in SI units are to be regarded as standard. No other units of measurement are included in this standard.

1.3 *This standard does not purport to address all of the safety concerns, if any, associated with its use. It is the responsibility of the user of this standard to establish appropriate safety and health practices and determine the applicability of regulatory limitations prior to use.*

2. Referenced Documents

2.1 ASTM Standards:²

D1356 Terminology Relating to Sampling and Analysis of Atmospheres

D1357 Practice for Planning the Sampling of the Ambient Atmosphere

D1914 Practice for Conversion Units and Factors Relating to Sampling and Analysis of Atmospheres

D3249 Practice for General Ambient Air Analyzer Procedures

D3631 Test Methods for Measuring Surface Atmospheric Pressure

D3670 Guide for Determination of Precision and Bias of Methods of Committee D22

¹ These test methods are under the jurisdiction of ASTM Committee D22 on Air Quality and is the direct responsibility of Subcommittee D22.03 on Ambient Atmospheres and Source Emissions.

Current edition approved Oct. 1, 2016. Published October 2016. Originally approved in 1991. Last previous edition approved in 2008 as D5156 – 02 (2008). DOI: 10.1520/D5156-02R16.

² For referenced ASTM standards, visit the ASTM website, www.astm.org, or contact ASTM Customer Service at service@astm.org. For *Annual Book of ASTM Standards* volume information, refer to the standard's Document Summary page on the ASTM website.

D5011 Practices for Calibration of Ozone Monitors Using Transfer Standards

D5110 Practice for Calibration of Ozone Monitors and Certification of Ozone Transfer Standards Using Ultraviolet Photometry

IEEE/ASTM SI-10 Practice for Use of the International System of Units (SI) (the Modernized Metric System)

2.2 Other Documents:

EPA-600/4-76-005 *Quality Assurance Handbook for Air Pollution Measurement Systems, Vol I, "Principles"*³

EPA-600/4-77-027a *Quality Assurance Handbook for Air Pollution Measurement Systems, Vol II, "Ambient Air Specific Methods"*³

3. Terminology

3.1 *Definitions*—For definitions of terms used in this test method, refer to Terminology D1356. An explanation of units, symbols, and conversion factors may be found in Practice IEEE/ASTM SI-10.

3.2 Definitions of Terms Specific to This Standard:

3.2.1 *absolute ultraviolet photometer*—a photometer whose design, construction, and maintenance is such that it can measure the absorbance caused by O_3 mixtures without reference to external absorption standards. Given a value for the absorption coefficient of O_3 at 253.7 nm and a reading from the absolute ultraviolet photometer, O_3 concentrations can be calculated with accuracy. An absolute ultraviolet photometer is used only on prepared O_3 mixtures free from interferences, as in calibration activity.

3.2.2 *primary standard*—a standard directly defined and established by some authority, against which all secondary standards are compared.

3.2.3 *secondary standard*—a standard used as a means of comparison, but checked against a primary standard.

3.2.4 *standard*—an accepted reference sample or device used for establishing the measurement of a physical quantity.

³ Available from National Technical Information Service (NTIS), 5301 Shawnee Rd., Alexandria, VA 22312, http://www.ntis.gov.

3.2.5 *transfer standard*—a type of secondary standard; it is a transportable device or apparatus that, together with operational procedures, is capable of reproducing pollutant concentrations or producing acceptable assays of pollutant concentrations.

4. Summary of Test Method

4.1 This test method is based on the absorption of ultraviolet radiation at 253.7-nm wavelength by O₃ and the use of an ozone-specific scrubber to generate a reference air stream with only O₃ scrubbed from it. A single-cell ultraviolet absorption photometer is used, with the cell filled alternately with ambient and O₃-scrubbed ambient air. The absorption to be measured at the lower part of the operating range is extremely small. Special precautions and designs must be used to obtain accurate results.

4.2 The absorption of radiation at 253.7 nm by O₃ at very low concentrations follows the Beer-Lambert Law. Namely, for a cell of length d , assuming a constant input ultraviolet intensity, the ratio of the emerging intensities for the cell filled with sample air, I_s , and with O₃-scrubbed air, I_o , is:

$$\frac{I_s}{I_o} = e^{-(cad)} \quad (1)$$

where:

- c = the concentration of O₃, ppm (v),
- d = the length of the cell, cm, and
- a = the absorption coefficient of O₃ per length unit of d and per concentration unit of c .

4.3 When (cad) is $\ll 1$, as is the case for O₃ at 253.7 nm in the concentration range specified for this test method, the approximation

$$e^{-x} \approx (1 - x) \quad (2)$$

can be used to simplify the signal processing electronics, so that

$$I_s \approx I_o (1 - cad) \quad (3)$$

and thus

$$c \approx \frac{(I_o - I_s)}{I_o ad} \quad (4)$$

4.4 At 1 ppm (v), the high end of the recommended range, and a path length of 50 cm, the error resulting from application of the above approximation is approximately 1 part in 10 000.

4.5 Thus, the concentration of O₃ can be obtained from the difference between the signal from the photosensor (often a vacuum photodiode) when the contents of the absorption cell contain sample air from which O₃ has been scrubbed, and when it contains sample air containing O₃.

4.6 At 5 ppb (v) with a 50-cm path length, the absorption is approximately $308 \times 0.005 \times 50 \times 10^{-6}$ or $\times 10^{-5}$ (1-4).⁴

4.7 The instrument is calibrated by methods given in Practices D5011 and D5110, which describe the use of an absolute

ultraviolet photometer as a primary standard and the qualification and use of transfer standards.

5. Significance and Use

5.1 Standards for O₃ in the atmosphere have been promulgated by government authorities to protect the health and welfare of the public (5) and also for the protection of industrial workers (6).

5.2 Although O₃ itself is a toxic material, in ambient air it is primarily the photochemical oxidants formed along with O₃ in polluted air exposed to sunlight that cause smog symptoms such as lachrymation and burning eyes. Ozone is much more easily monitored than these photochemical oxidants and provides a good indication of their concentrations, and it is therefore the substance that is specified in air quality standards and regulations.

6. Interferences

6.1 Any aerosol or gas that absorbs or scatters ultraviolet radiation at 253.7 nm, and that is removed by the O₃-specific scrubber, constitutes an interferent (7) to this test method (8). Particulate matter can be removed with a polytetrafluoroethylene (PTFE) membrane filter. Any type of filter can, however, become contaminated and may then scrub O₃. It is important to check the O₃-inertness of such devices frequently.

6.2 Some reported positively interfering organic species for a manganese dioxide scrubber are tabulated in Annex A2 of this test method. In general, if interferences are suspected, it is preferable to use another test method rather than to try to scrub out the interfering agent, since the instability of O₃ makes the testing and proving of additional interferant scrubbers particularly difficult.

6.3 Water vapor may constitute either a positive or negative interferant in instruments calibrated with dry span gas (9-12).

6.3.1 Improperly polished absorption cell windows may lead to increased signal noise and apparent ozone increases in instruments subject to rapidly changing humidity, such as at a coastal site where instruments may be exposed to frequent shifts between relatively dry terrestrial and moist oceanic air parcels (8).

6.3.2 A negative water vapor interference, due to humidity dependent changes in elution rates of interferences from the ozone scrubber may develop in manganese dioxide scrubbers exposed to ambient air (10, 12, 13). This phenomenon is described in 7.2.6.

7. Apparatus

7.1 Instruments are commercially available that meet the specifications provided in Annex A1. Note that these specifications do not cover operation where the ambient temperature changes rapidly.

7.2 The elements of the typical ozone-measuring system are shown in Fig. 1. Assembled, they form a photometric ultraviolet monitor with specifications conforming to those listed in Annex A1. The components are described in 7.2.1 – 7.2.8.

⁴ The boldface numbers in parentheses refer to the list of references at the end of this test method.

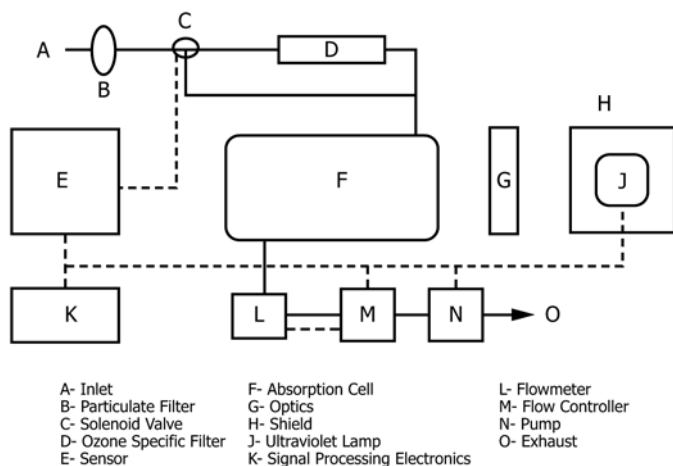


FIG. 1 Schematic Diagram of a Typical Ultraviolet Photometer

7.2.1 *Ultraviolet Absorption Cell*, constructed of materials inert to O_3 , for example, PTFE-coated metal, borosilicate glass, and fused silica. It shall be mechanically stable so that the optical alignments of the source, sensor, and any beam-directing devices (mirror, prisms, or lenses) are not affected by changes in ambient temperature (Fig. 1(F)).

7.2.2 *Ultraviolet Lamp*—A low-pressure mercury vapor discharge lamp enclosed in a shield to prevent its radiation at 185 nm (which generates O_3) from reaching the absorption cell (Fig. 1(J)).

7.2.2.1 The lamp output at 253.7 nm shall be extremely stable, or provision shall be made to compensate for short-term variations at 253.7-nm output, for example, by the use of a lamp-intensity monitor to measure output from the lamp and with electronics to adjust the signal from the ultraviolet sensors correspondingly.

7.2.2.2 *Shield*, constructed of high-silica glass⁵ to remove the 185-nm line and permit the transmission at 253.7-nm radiation (Fig. 1(H)).

7.2.3 *Particulate Filter*, installed in the sample line to prevent aerosols or particulate matter from entering the measuring system. PTFE fluorocarbon filters with pore sizes between 0.2 and 5.0 μm shall be used. The filter shall be replaced frequently since accumulated materials on the filter may catalyze the breakdown of O_3 into oxygen (Fig. 1(B)).

7.2.4 *Sensor*—Vacuum photodiodes with cesium telluride photocathode sensitivity at 253.7-nm radiation and negligible sensitivity to the other mercury lamp lines. The response at 253.7 nm shall be extremely stable over the short-term periods of the sampling cycle, of the same order as the stability demanded of the ultraviolet source. Temperature stabilization and a well-regulated photosensor supply voltage shall be provided to achieve the necessary stability (Fig. 1(E)).

7.2.5 *Three-Way PTFE Solenoid Valve*, constructed with internal parts of, or coated with, PTFE fluorocarbon or other material that will not catalyze the destruction of O_3 , to route the sample through or to bypass the O_3 selective scrubber (Fig. 1(C)).

7.2.6 *Ozone-Specific Scrubber*, containing a material that selectively catalyzes the destruction of O_3 without altering or adding any other compound. Manganese dioxide on a substrate and heated silver wool have been found generally to perform this function. However, several aromatic organic compounds identified in Annex A2 have been shown to be adsorbed by manganese dioxide. Some compounds may be adsorbed partly, producing at first an apparent higher concentration of O_3 , followed by a falsely lower concentration as the material is desorbed (10). Mean O_3 values are not affected by reversibly adsorbed species when averaging times are much longer than that of the absorption-desorption cycle, provided that the possible “negative” O_3 values that result from the desorption of the interferant while actual O_3 values are very low or zero are included in the mean. This may not be true where hourly averages are calculated by simple arithmetical averaging of instantaneous values taken within a 1-h period, or where the instrument contains a zero clamp that prevents negative values from being output (Fig. 1(D)). After exposure to ambient air, some manganese dioxide ozone scrubbers may develop anomalous sensitivity to water vapor. Since such anomalous scrubbers regain normality at low humidity, their anomalous behavior can not be detected during span gas calibrations using dry zero air. *Scrubber efficiency tests must be conducted with wet span gas to identify such anomalous manganese dioxide cartridges (14, 15).*

7.2.7 *Pump*—A small air pump to pull the sample air through the instrument (Fig. 1(N)).

7.2.8 *Flowmeter*, to verify that air is moving through the instrument (Fig. 1(L)).

7.3 *Internal Lines and Fittings*, in the sample stream prior to the adsorption cell and the scrubber, constructed of PTFE fluorocarbon or other O_3 -inert material.

7.4 *Signal Processing Electronics*, containing several distinct elements (Fig. 1(K)):

7.4.1 Circuits to condition the signal from the ultraviolet-sensitive sensor (diode) with short-term stability.

7.4.2 Timing and control circuits to operate the flow switching valves and different phases of the signal conditioning circuits.

7.4.3 Circuits to generate mean values from the signals from the sensor (diode) interface circuits for the two parts of the cycle, to subtract them, and to output the resultant differences in a scaled form. The circuits shall also compensate for temperature and pressure so that the adsorption measured is proportional to the gas density in the absorption cell.

7.4.4 The concentration of O_3 can be obtained from the ratio of the sensor (diode) signals when the adsorption cell contains sample air from which O_3 has been scrubbed, to when it contains sample air containing O_3 . The conversion of this value to parts per million by volume shall include correction for ambient temperature and barometric pressure according to the ideal gas law. The correction can be ignored if errors as great as $\pm 5\%$ are acceptable. Some commercially available instruments correct automatically for actual measurement temperature and pressure in their concentration outputs.

7.4.5 Signal processing shall not prevent the output of negative values, which may arise from instrument malfunction,

⁵ “Vycor” brand material has been found to be satisfactory.