



SLOVENSKI STANDARD SIST EN 581-1:1997

01-oktober-1997

Ni bUb^Ydc\ jYhj c'!GYXYj]nUXca U c]b^Uj bc'i dcfUvc`Hf`HUVcf^yb^Y!`%`XY.
Gd`cYbYj UfbcglbYnU hYj Y

Outdoor furniture - Seating and tables for camping, domestic and contract use - Part 1:
General safety requirements

Außenmöbel - Sitzmöbel und Tische für den Camping-, Wohn- und Objektbereich - Teil
1: Allgemeine sicherheitstechnische Anforderungen

Mobilier d'extérieur - Sieges et tables a usages domestique, collectif et de camping -
Partie 1: Exigences générales de sécurité

<https://standards.iteh.ai/catalog/standards/sist/a20c1707-fa65-4b54-8d7d-99b78c7165db/sist-en-581-1-1997>

Ta slovenski standard je istoveten z: EN 581-1:1997

ICS:

97.140	Pohištvo	Furniture
97.200.30	Oprema za taborjenje in tabori	Camping equipment and camp-sites

SIST EN 581-1:1997

en

iTeh STANDARD PREVIEW
(standards.iteh.ai)

[SIST EN 581-1:1997](#)

<https://standards.iteh.ai/catalog/standards/sist/a20c1707-fa65-4b54-8d7d-99b78c7165db/sist-en-581-1-1997>

EUROPEAN STANDARD

EN 581-1

NORME EUROPÉENNE

EUROPÄISCHE NORM

April 1997

ICS 97.140; 97.200.30

Descriptors: furniture, exterior, household appliances, communal equipment, camping equipment, seats, safety, specifications, accident prevention

English version

Outdoor furniture - Seating and tables for
camping, domestic and contract use - Part 1:
General safety requirements

Mobilier d'extérieur - Sièges et tables à
usages domestique, collectif et de camping -
Partie 1: Exigences générales de sécurité

Außenmöbel - Sitzmöbel und Tische für den
Camping-, Wohn- und Objektbereich - Teil 1:
Allgemeine sicherheitstechnische Anforderungen

STANDARD PREVIEW
(standards.iteh.ai)

SIST EN 581-1:1997

<https://standards.iteh.ai/catalog/standards/sist/a20c1707-fa65-4b54-8d7d-99b78c7165db/sist-en-581-1-1997>

This European Standard was approved by CEN on 1997-03-19. CEN members are bound to comply with the CEN/CENELEC Internal Regulations which stipulate the conditions for giving this European Standard the status of a national standard without any alteration.

Up-to-date lists and bibliographical references concerning such national standards may be obtained on application to the Central Secretariat or to any CEN member.

The European Standards exist in three official versions (English, French, German). A version in any other language made by translation under the responsibility of a CEN member into its own language and notified to the Central Secretariat has the same status as the official versions.

CEN members are the national standards bodies of Austria, Belgium, Denmark, Finland, France, Germany, Greece, Iceland, Ireland, Italy, Luxembourg, Netherlands, Norway, Portugal, Spain, Sweden, Switzerland and United Kingdom.

CEN

European Committee for Standardization
Comité Européen de Normalisation
Europäisches Komitee für Normung

Central Secretariat: rue de Stassart, 36 B-1050 Brussels

Contents

	Page
Foreword	3
1 Scope	4
2 Definitions	4
2.1 Intentionally contactable parts	4
2.2 Externally accessible parts	4
2.3 Deliberately accessible parts	6
2.4 Locking mechanism	6
2.5 Automatically operating locking mechanism	6
2.6 Shear and squeeze points	6
3 Safety requirements for the design	7
3.1 Edges and corners	7
3.2 Externally accessible openings	7
3.3 Externally accessible shear and squeeze points on movable parts	7
4 Test report	8
5 Schematic presentation of requirements and standards/sista/20c1707-fb05-4b54-8d7d-conditions concerning shear and squeeze points: en 581-1-1997	9
Annex A (informative)	10



Foreword

This European Standard has been prepared by Technical Committee CEN/TC 207 "Furniture", the secretariat of which is held by IBN.

The text is one part of a general standard concerning the safety and performance requirements for outdoor seating and tables.

The work programme of CEN/TC 207/WG 4 includes the following items :

- prEN 581-2 Outdoor furniture - Seating and tables for camping, domestic and contract use - Part 2 : Mechanical safety requirements and test methods of seating
- prEN 581-3 Outdoor furniture - Seating and tables for camping, domestic and contract use - Part 3 : Mechanical safety requirements and test methods of tables
- prEN 581-4 Outdoor furniture - Seating and tables for camping, domestic and contract use - Part 4 : Physical characteristics - Durability.
- prEN 581-5 Outdoor furniture - Seating and tables for camping, domestic and contract use - Part 5 : Requirements and test methods for surfaces.
- prEN 581-6 Outdoor furniture - Seating and tables for camping, domestic and contract use - Part 6 : General characteristics.

This European Standard shall be given the status of a national standard, either by publication of an identical text or by endorsement, at the latest by October 1997, and conflicting national standards shall be withdrawn at the latest by October 1997.

According to the CEN/CENELEC Internal Regulations, the national standards organizations of the following countries are bound to implement this European Standard: Austria, Belgium, Denmark, Finland, France, Germany, Greece, Iceland, Ireland, Italy, Luxembourg, Netherlands, Norway, Portugal, Spain, Sweden, Switzerland and the United Kingdom.

1 Scope

This part of EN 581 specifies the general safety requirements for outdoor seating and tables for camping, domestic and contract use with the exception of removable upholstery, coverings, permanently fixed furniture.

For the types of seating and tables for which this standard is applicable, see annex A.

2 Definitions

For the purpose of this standard, the following definitions apply :

2.1 Intentionally contactable parts

Parts and edges of a structure designed to be in contact with a sitting, lying or reclining user.

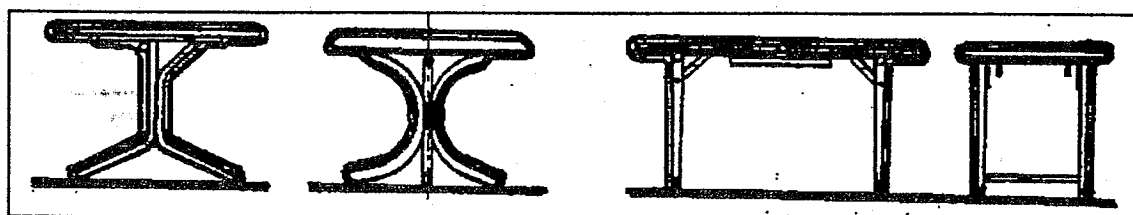
2.2 Externally accessible parts

Parts to which access can be easily gained when the furniture is in its intended position of use and for which the probability of unintentional user contact is high.

In order to distinguish the externally accessible parts from other parts the furniture are imagined as enveloped in a shrunk film that completely follows its outer contours (see figures 1, 2 and 3).

<https://standards.iteh.ai/catalog/standards/sist/a20c1707-fa65-4b54-8d7d->

All parts which can be reached from the surface of the shrunk film by a probe 60 mm in length are externally accessible. This probe consists of a cylinder made of plastic or other hard, smooth material with a 60 mm mark on its length. There are 3 probes having diameters 7 mm, 12 and 18 mm respectively.



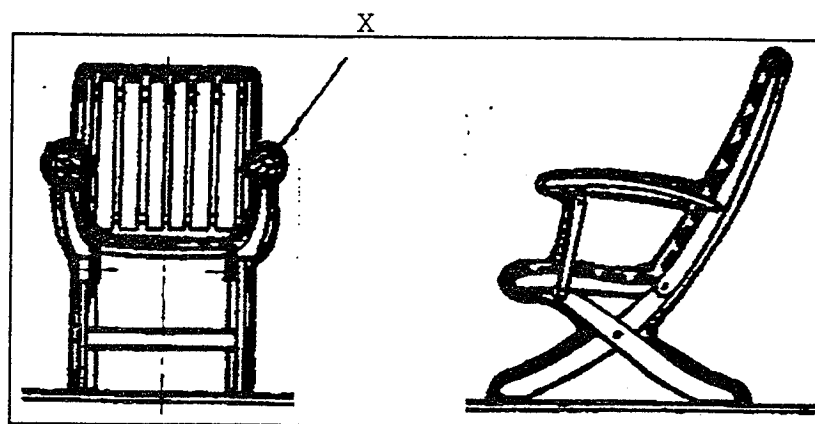
Front view
Example 1

Front view
Example 2

Front view
Example 3

Side
view

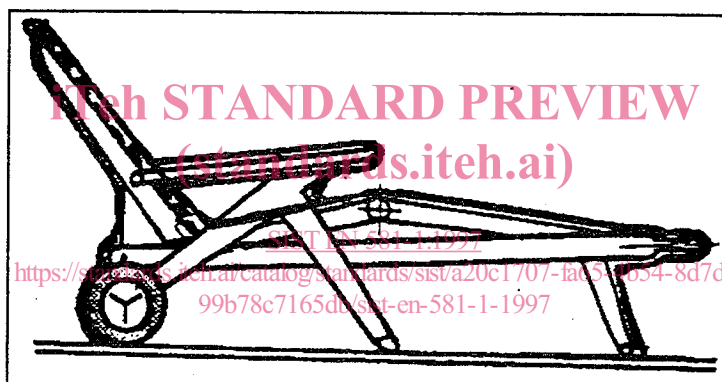
Figure 1 : External accessibility of tables



Front view

Side view

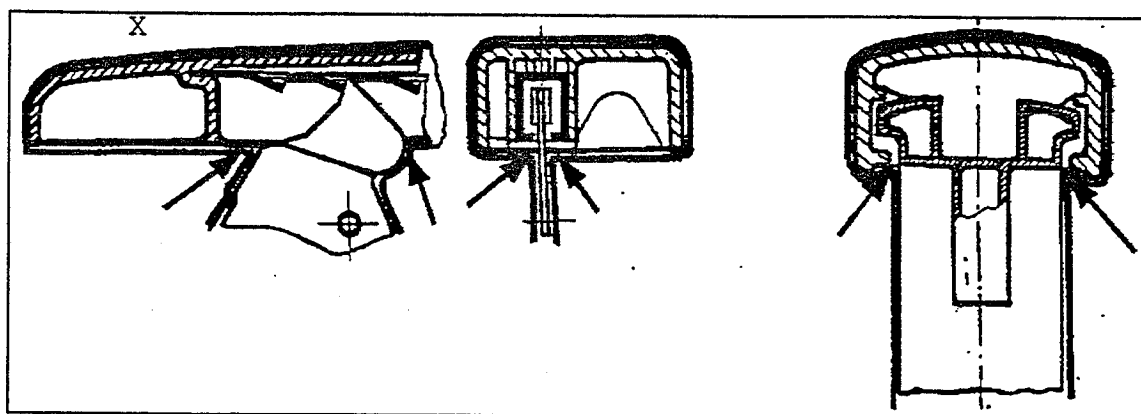
Example 1



Side view

Example 2

Figure 2 : Externally accessible parts of seating



Example 1

Example 2

Figure 3 : Externally accessible parts

Page 6
EN 581-1:1997

2.3 Deliberately accessible parts

Parts which are only contacted when setting up or folding the furniture.

2.4 Locking mechanism

A device which when operated will inhibit further movement when unfolding or adjusting the furniture and then maintaining the position (also under load).

2.5 Automatically operating locking mechanism

A mechanism which engages automatically without any guidance after the adjustable part is released or reloaded.

2.6 Shear and squeeze points

Shear or squeeze points exist if the distance between two accessible parts relative to each other can be less than 18 mm and more than 7 mm when under body weight.

Examples are given under figure 4.

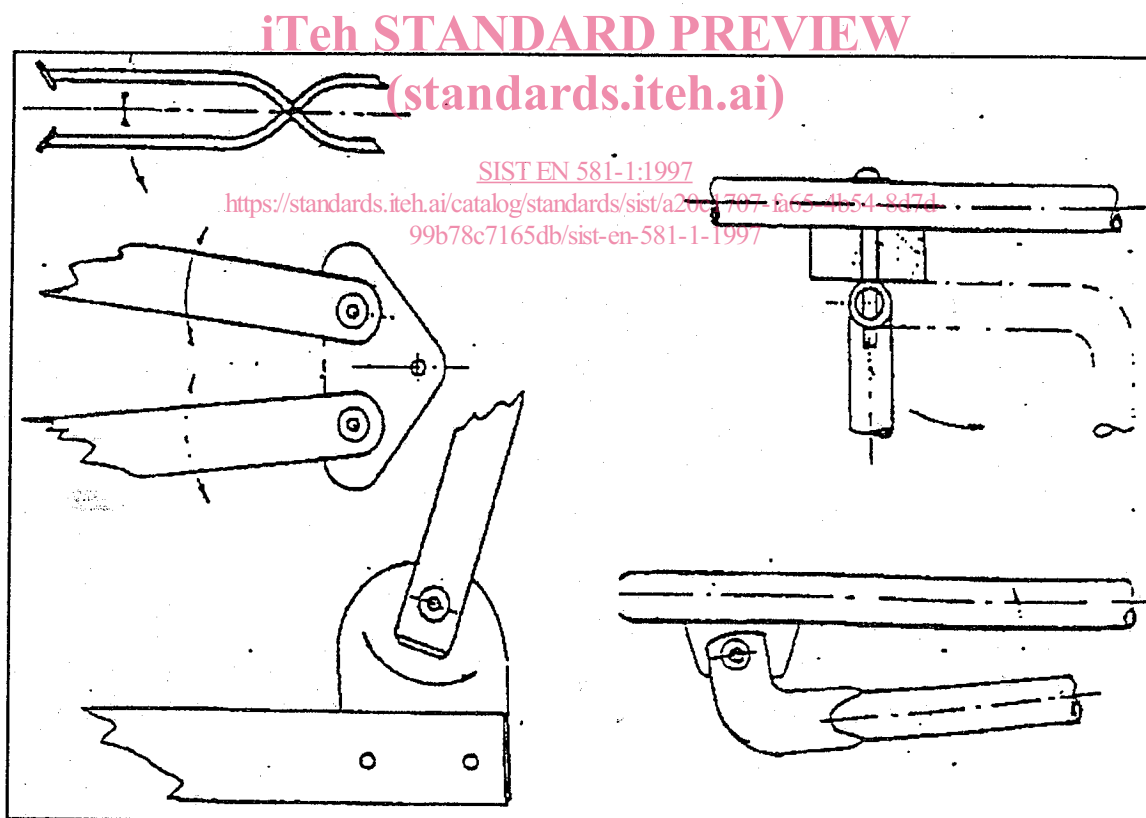


Figure 4 : Examples of accessible parts without shear or squeeze points

3 Safety requirements for the design

3.1 Edges and corners

3.1.1 Parts which are intentionally contactable

Edges and corners shall be rounded with a radius of not less than 2 mm.

Chamfered edges and corners shall have a blend radius of not less than 0,5 mm.

These requirements do not apply to edges and corners inside a surface (part) arising from embossed structures (patterns, profiles), means to create intended roughness or openings inside a surface which in total supports the body weight of the user.

3.1.2 Accessible parts

All other accessible parts shall be of a design such that, when touched by the user, no injury is caused.

3.2 Externally accessible openings

There shall be no open-ended tubes greater than 7 mm in diameter.

Drilled holes, gaps or cavities with a diameter greater than 7 mm and smaller than 12 mm shall be covered if a 7 mm diameter probe can enter to a depth of 10 mm or more.

3.3 Externally accessible shear and squeeze points on movable parts

3.3.1 General requirements

Shear and squeeze points shall as far as possible be avoided.

In cases where this is not possible, the requirements given in 3.3.2, 3.3.3 and 3.3.4 shall be fulfilled.

3.3.2 Shear and squeeze points when setting up and folding

Provided 3.3.3 or 3.3.4 is not applicable, shear and squeeze points that are created only during setting up or folding outdoor furniture are acceptable because the user can be assumed to be in control of his movements and to be able to cease applying the effective forces immediately on experiencing pain.

The edges of parts moving against each other and creating shear and squeeze points shall be as specified in 3.1.1.

3.3.3 Shear and squeeze points under the influence of powered mechanisms

There shall be no shear or squeeze points as defined in 2.6 if these are created by parts of the furniture operated by powered mechanisms, including springs.